



Chipsmall Limited consists of a professional team with an average of over 10 year of expertise in the distribution of electronic components. Based in Hongkong, we have already established firm and mutual-benefit business relationships with customers from,Europe,America and south Asia,supplying obsolete and hard-to-find components to meet their specific needs.

With the principle of “Quality Parts,Customers Priority,Honest Operation,and Considerate Service”,our business mainly focus on the distribution of electronic components. Line cards we deal with include Microchip,ALPS,ROHM,Xilinx,Pulse,ON,Everlight and Freescale. Main products comprise IC,Modules,Potentiometer,IC Socket,Relay,Connector.Our parts cover such applications as commercial,industrial, and automotives areas.

We are looking forward to setting up business relationship with you and hope to provide you with the best service and solution. Let us make a better world for our industry!



Contact us

Tel: +86-755-8981 8866 Fax: +86-755-8427 6832

Email & Skype: info@chipsmall.com Web: www.chipsmall.com

Address: A1208, Overseas Decoration Building, #122 Zhenhua RD., Futian, Shenzhen, China



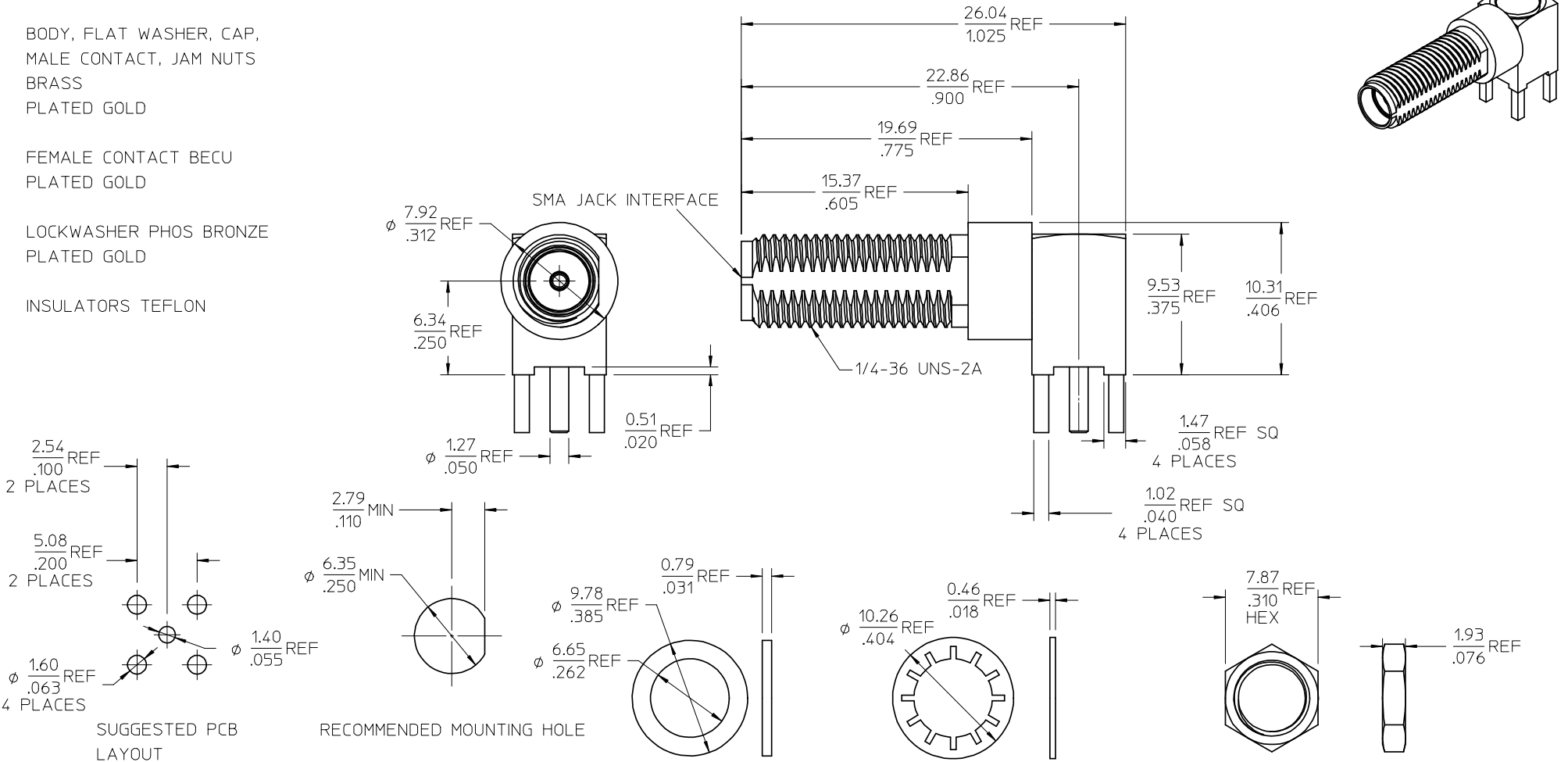
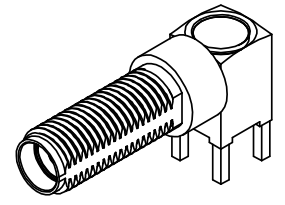
MATERIALS AND FINISHES

BODY, FLAT WASHER, CAP,
MALE CONTACT, JAM NUTS
BRASS
PLATED GOLD

FEMALE CONTACT BECU
PLATED GOLD

LOCKWASHER PHOS BRONZE
PLATED GOLD

INSULATORS TEFLON



PART NUMBER 73251-2400

PS-89675-2820	PRODUCT SPECIFICATION
MIL-STD-348A, FIG. 310-2	INTERFACE
SPECIFICATION	DESCRIPTION

CHG: UPDATE PCB LAYOUT EEC NO: URF2008-0387 DRWN: WIENER 2008/01/29 CHKD: SSHAH 2008/01/29 APPR: WIENER 2008/01/29	QUALITY SYMBOLS ▽=0 ▽=0	GENERAL TOLERANCES (UNLESS SPECIFIED)	DIMENSION STYLE MM/IN	SCALE	DESIGN UNITS METRIC	THIRD ANGLE PROJECTION
		4 PLACES ± --- ± --- 3 PLACES ± --- ± --- 2 PLACES ± --- ± --- 1 PLACE ± --- ± --- ANGULAR ± 2°	DRAWN BY JDW 2008/01/29 CHECKED BY SSHAH 2008/01/29 APPROVED BY JDW 2008/01/29	TITLE SMA JACK, R/A PCB 50 OHMS EWR 2331 SMA-J/RA/PCB	MOLEX MOLEX INCORPORATED	SHEET NO. 1 OF 1
B1	DRAFT WHERE APPLICABLE MUST REMAIN WITHIN DIMENSIONS	MATERIAL NO. 732512400	DOCUMENT NO. SD-73251-240	THIS DRAWING CONTAINS INFORMATION THAT IS PROPRIETARY TO MOLEX INCORPORATED AND SHOULD NOT BE USED WITHOUT WRITTEN PERMISSION		