



Chipsmall Limited consists of a professional team with an average of over 10 year of expertise in the distribution of electronic components. Based in Hongkong, we have already established firm and mutual-benefit business relationships with customers from,Europe,America and south Asia,supplying obsolete and hard-to-find components to meet their specific needs.

With the principle of “Quality Parts,Customers Priority,Honest Operation,and Considerate Service”,our business mainly focus on the distribution of electronic components. Line cards we deal with include Microchip,ALPS,ROHM,Xilinx,Pulse,ON,Everlight and Freescale. Main products comprise IC,Modules,Potentiometer,IC Socket,Relay,Connector.Our parts cover such applications as commercial,industrial, and automotives areas.

We are looking forward to setting up business relationship with you and hope to provide you with the best service and solution. Let us make a better world for our industry!



## Contact us

Tel: +86-755-8981 8866 Fax: +86-755-8427 6832

Email & Skype: info@chipsmall.com Web: www.chipsmall.com

Address: A1208, Overseas Decoration Building, #122 Zhenhua RD., Futian, Shenzhen, China



MATERIALS AND FINISHES

BODY STAINLESS STEEL  
PASSIVATED

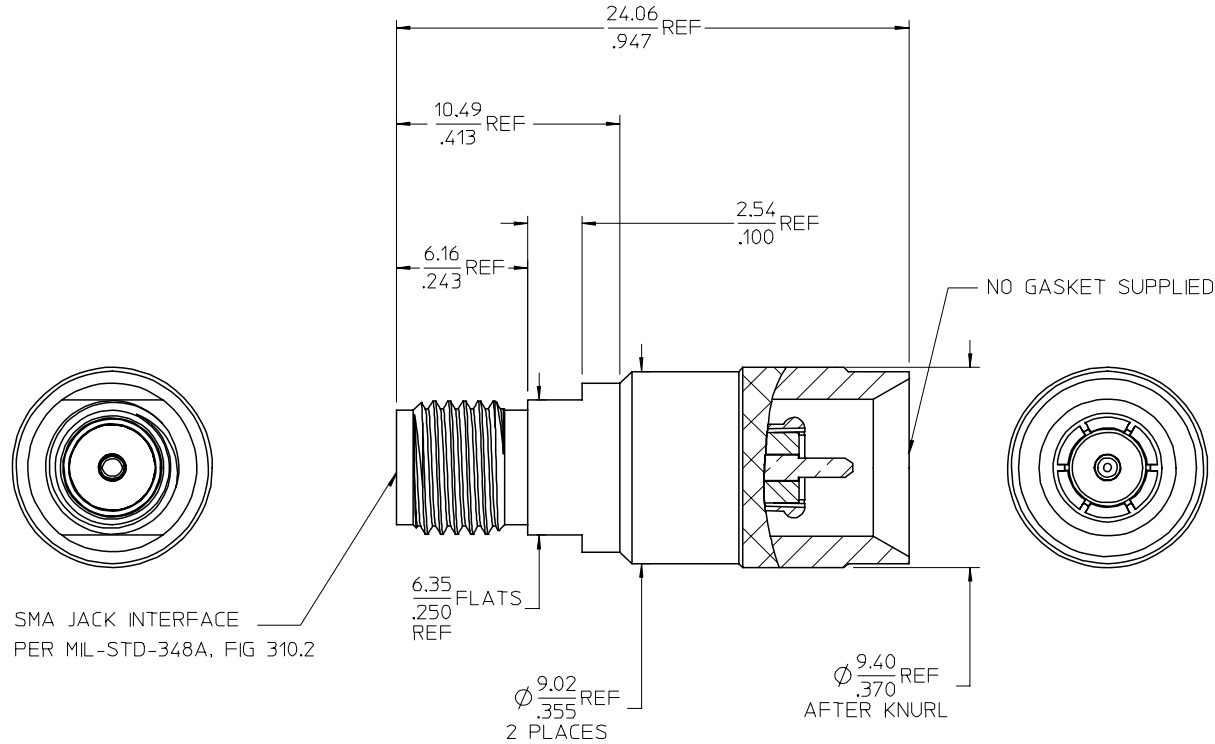
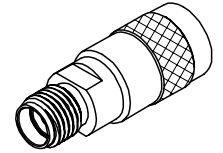
CENTER CONTACT  
PLATED GOLD

OUTER CONTACT BERYLLIUM COPPER  
PLATED NICKEL

INSULATOR TEFLON

ELECTRICAL PERFORMANCE:

VSWR: 1.30 MAX TO 18 GHz



PART # 73251-2830

CHG: NEW RELEASE FC NO: URF2007-0545 DRAWN: IFLAHERTY 2007/06/28 CHKD: SHAH 2007/06/28 APPR: JIMENER 2007/06/28	QUALITY SYMBOLS ▽=0 ▽=0	GENERAL TOLERANCES (UNLESS SPECIFIED)		DIMENSION STYLE MM/IN		SCALE	DESIGN UNITS METRIC	THIRD ANGLE PROJECTION							
		4 PLACES ± --- ± ---	3 PLACES ± --- ± ---	2 PLACES ± --- ± ---	1 PLACE ± --- ± ---	ANGULAR ± 2 °	DRAWN BY TEF	DATE 2005/12/27	CHECKED BY SSS	DATE 2005/12/27	APPROVED BY JDW	DATE 2005/12/27	TITLE SMA JACK TO SMA PLUG MODIFIED ADAPTER 50 OHM SMA-PJ/AD	MATERIAL NO. 732512830	DOCUMENT NO. SD-73251-283
DRAFT WHERE APPLICABLE MUST REMAIN WITHIN DIMENSIONS		THIS DRAWING CONTAINS INFORMATION THAT IS PROPRIETARY TO MOLEX INCORPORATED AND SHOULD NOT BE USED WITHOUT WRITTEN PERMISSION		SIZE C											