



Chipsmall Limited consists of a professional team with an average of over 10 year of expertise in the distribution of electronic components. Based in Hongkong, we have already established firm and mutual-benefit business relationships with customers from,Europe,America and south Asia,supplying obsolete and hard-to-find components to meet their specific needs.

With the principle of “Quality Parts,Customers Priority,Honest Operation,and Considerate Service”,our business mainly focus on the distribution of electronic components. Line cards we deal with include Microchip,ALPS,ROHM,Xilinx,Pulse,ON,Everlight and Freescale. Main products comprise IC,Modules,Potentiometer,IC Socket,Relay,Connector.Our parts cover such applications as commercial,industrial, and automotives areas.

We are looking forward to setting up business relationship with you and hope to provide you with the best service and solution. Let us make a better world for our industry!



Contact us

Tel: +86-755-8981 8866 Fax: +86-755-8427 6832

Email & Skype: info@chipsmall.com Web: www.chipsmall.com

Address: A1208, Overseas Decoration Building, #122 Zhenhua RD., Futian, Shenzhen, China

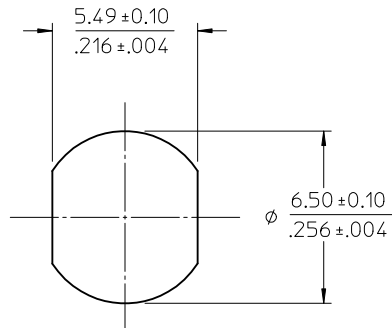
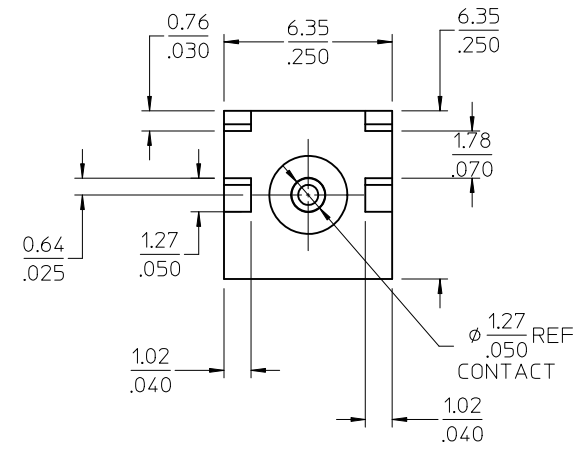
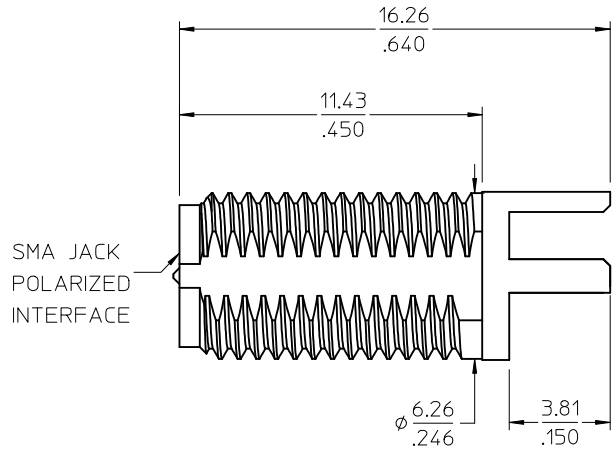
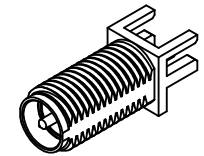


MATERIALS AND FINISHES

BODY: BRASS
PLATED: GOLD

CENTER CONTACT: BRASS
PLATED: GOLD

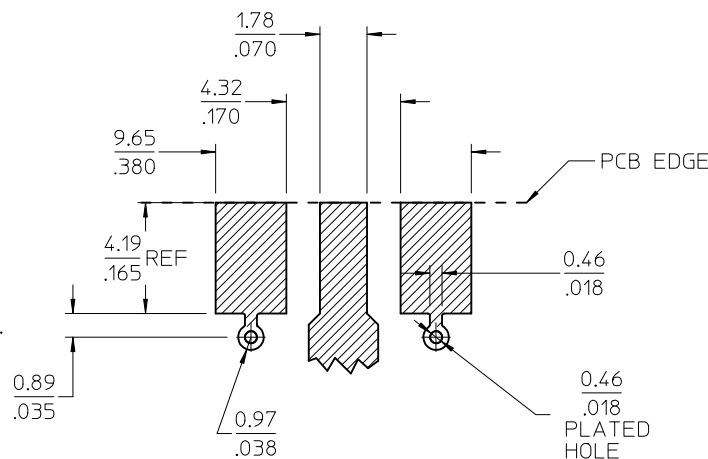
INSULATOR: TEFLON



RECOMMENDED PANEL CUTOUT

RECOMMENDED PAD LAYOUT

BASE WIDTH: 6.35(.250) NOM.
BOARD THICKNESS: 1.57(.062) NOM.
BOARD MATERIAL: FR4 W/1.0 OZ
COPPER BOTH SIDES



PART # 73251-3150
PACKAGING: BULK
SEE SHEET TWO FOR OTHER PART NUMBERS

CHG: ADD -3152 EC NO: URF2012-0435 DRWN:JWIENER 2012/01/27 CHKD:SSS 2012/01/27 APPR:JWIENER 2012/01/31	DESCRIPTION REV	QUALITY SYMBOLS =0 =0	GENERAL TOLERANCES (UNLESS SPECIFIED)		DIMENSION STYLE	SCALE	DESIGN UNITS	THIRD ANGLE PROJECTION
			mm	INCH	MM/IN	INCH	INCH	
DRAWN BY: AZR DATE: 2007/01/31			4 PLACES ± --- ± ---		CHECKED BY: SSS DATE: 2007/01/31	TITLE: SMA JACK POLARIZED EDGE MOUNT, .062 PCB, 50 OHM SMA-J/PCB, EWR-3281		
APPROVED BY: JWIENER DATE: 2010/10/27			3 PLACES ± --- ± ---		MATERIAL NO. SD-73251-315			SHEET NO. 1 OF 2
ANGULAR ± 2 °			2 PLACES ± --- ± ---		MOLEX MOLEX INCORPORATED			
DRAFT WHERE APPLICABLE MUST REMAIN WITHIN DIMENSIONS			1 PLACE ± --- ± ---		THIS DRAWING CONTAINS INFORMATION THAT IS PROPRIETARY TO MOLEX INCORPORATED AND SHOULD NOT BE USED WITHOUT WRITTEN PERMISSION			

MATERIALS AND FINISHES

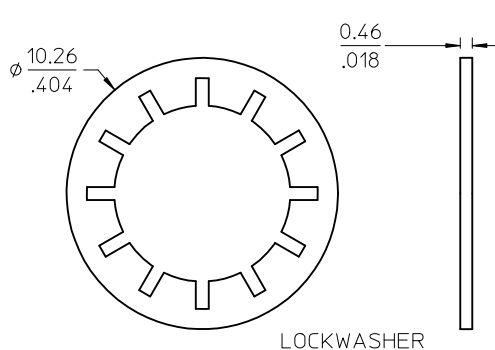
BODY: BRASS
PLATED: GOLD

CENTER CONTACT: BRASS
PLATED: GOLD

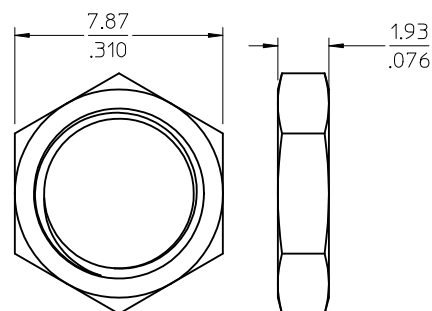
INSULATOR: TEFLON

JAM NUT: BRASS
PLATED: GOLD

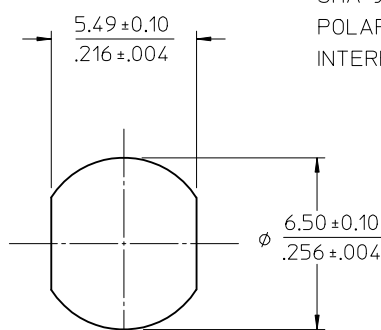
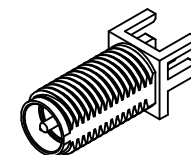
LOCKWASHER: PHOSPHOR BRONZE
PLATED: GOLD



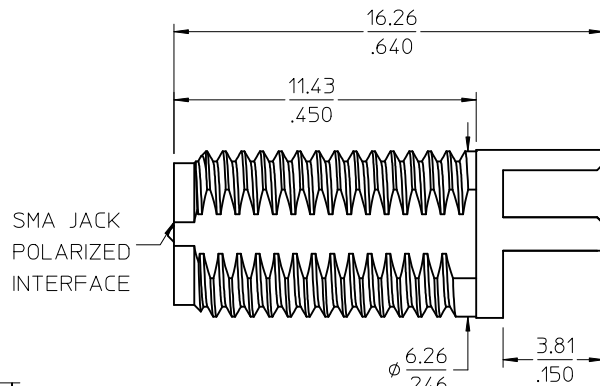
LOCKWASHER



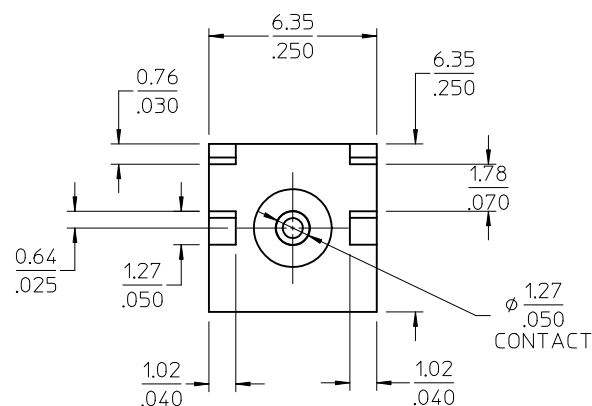
JAM NUT



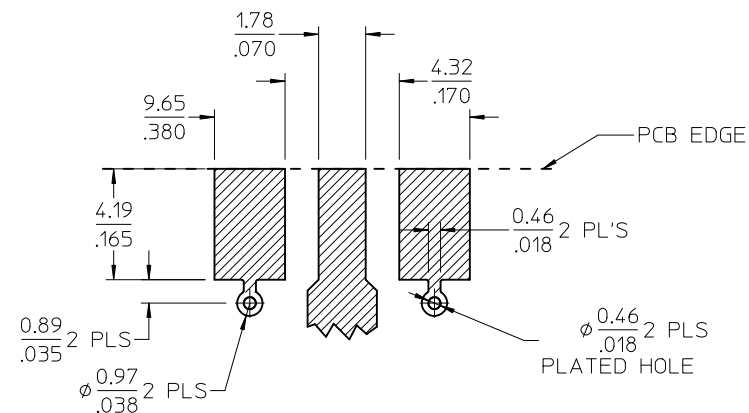
RECOMMENDED PANEL CUTOUT



SMA JACK
POLARIZED
INTERFACE



1.27
.050
CONTACT



PCB EDGE

0.46
.018 2 PLS
PLATED HOLE

RECOMMENDED PAD LAYOUT

BASE WIDTH: 6.35(.250) NOM.
BOARD THICKNESS: 1.57(.062) NOM.
BOARD MATERIAL: FR4 W/1.0 OZ
COPPER BOTH SIDES

73251-3152	ONE PER BAG
73251-3151	BULK
PART NO.	PACKAGING

CHG: SEE SHEET 1 EC NO: URF2012-0435 DRWN: JWIENER 2012/01/27 CHKD: SSS 2012/01/27 APPR: JWIENER 2012/01/31	QUALITY SYMBOLS ▽=0 ▽=0	GENERAL TOLERANCES (UNLESS SPECIFIED)	DIMENSION STYLE MM/IN	SCALE INCH	DESIGN UNITS INCH	THIRD ANGLE PROJECTION
		4 PLACES ± --- ± --- 3 PLACES ± --- ± --- 2 PLACES ± --- ± --- 1 PLACE ± --- ± --- ANGULAR ± 2 °	DRAWN BY AZR CHECKED BY SSS APPROVED BY JWIENER	DATE 2007/01/31 DATE 2007/01/31 DATE 2010/10/27	TITLE SMA JACK POLARIZED EDGE MOUNT, .062 PCB, 50 OHM SMA-J/PCB, EWR-3281	MOLEX INCORPORATED
DRAFT WHERE APPLICABLE MUST REMAIN WITHIN DIMENSIONS	MATERIAL NO. SEE TABLE	THIS DRAWING CONTAINS INFORMATION THAT IS PROPRIETARY TO MOLEX INCORPORATED AND SHOULD NOT BE USED WITHOUT WRITTEN PERMISSION				