



Chipsmall Limited consists of a professional team with an average of over 10 year of expertise in the distribution of electronic components. Based in Hongkong, we have already established firm and mutual-benefit business relationships with customers from,Europe,America and south Asia,supplying obsolete and hard-to-find components to meet their specific needs.

With the principle of “Quality Parts,Customers Priority,Honest Operation,and Considerate Service”,our business mainly focus on the distribution of electronic components. Line cards we deal with include Microchip,ALPS,ROHM,Xilinx,Pulse,ON,Everlight and Freescale. Main products comprise IC,Modules,Potentiometer,IC Socket,Relay,Connector.Our parts cover such applications as commercial,industrial, and automotives areas.

We are looking forward to setting up business relationship with you and hope to provide you with the best service and solution. Let us make a better world for our industry!



Contact us

Tel: +86-755-8981 8866 Fax: +86-755-8427 6832

Email & Skype: info@chipsmall.com Web: www.chipsmall.com

Address: A1208, Overseas Decoration Building, #122 Zhenhua RD., Futian, Shenzhen, China



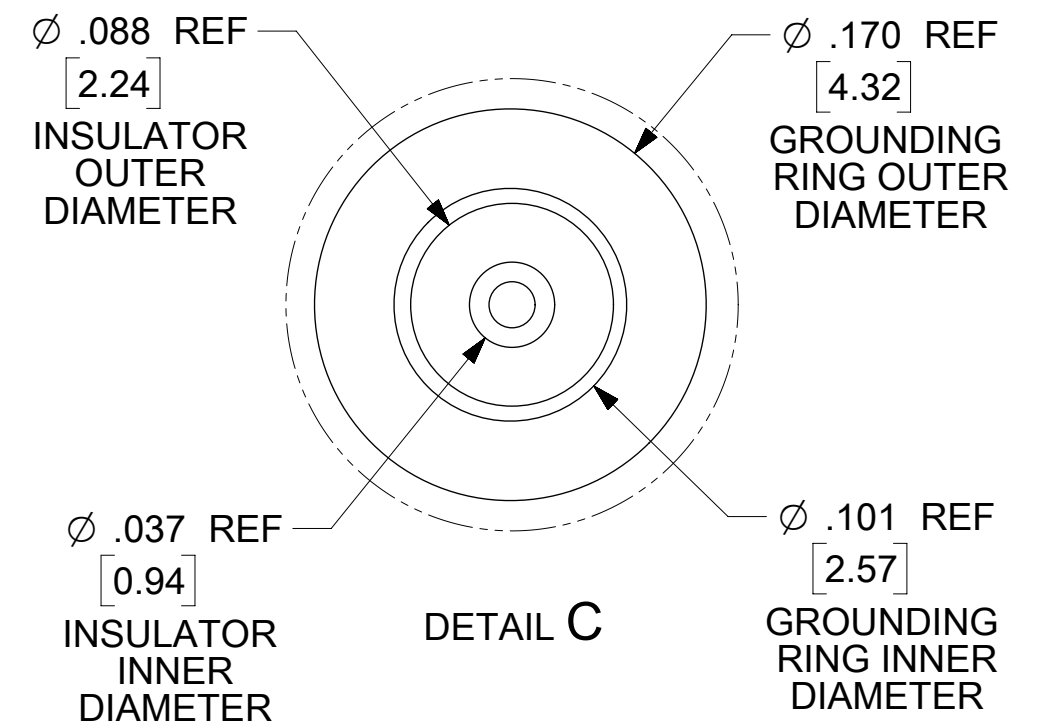
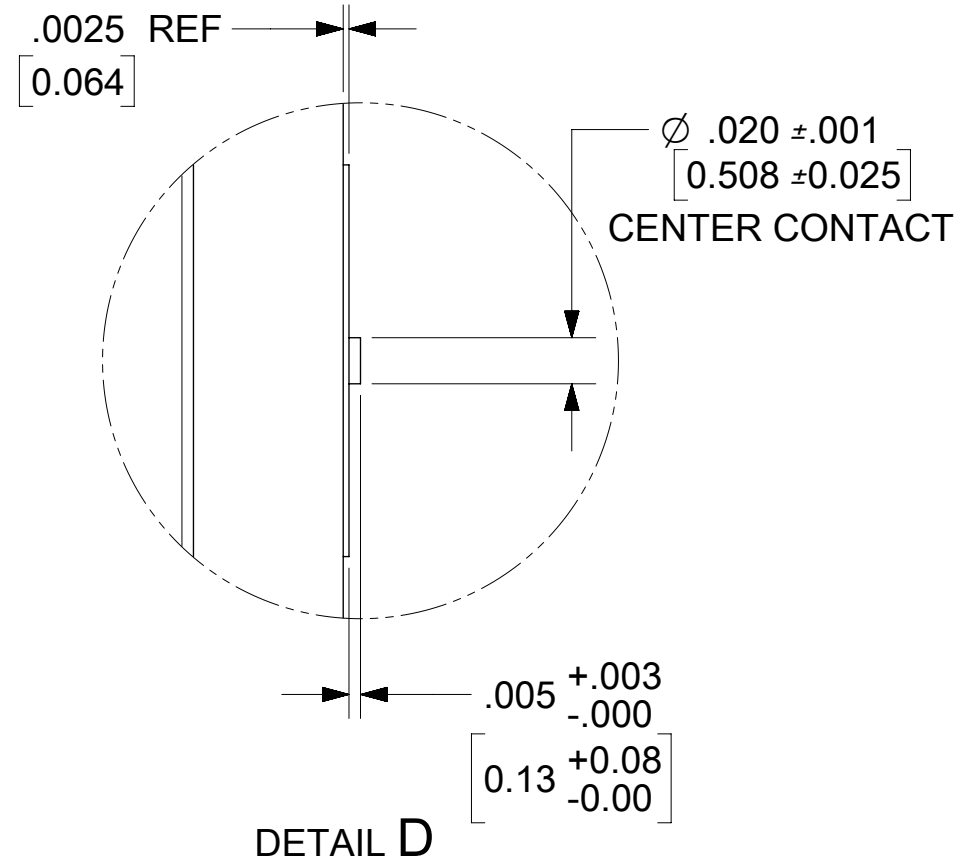
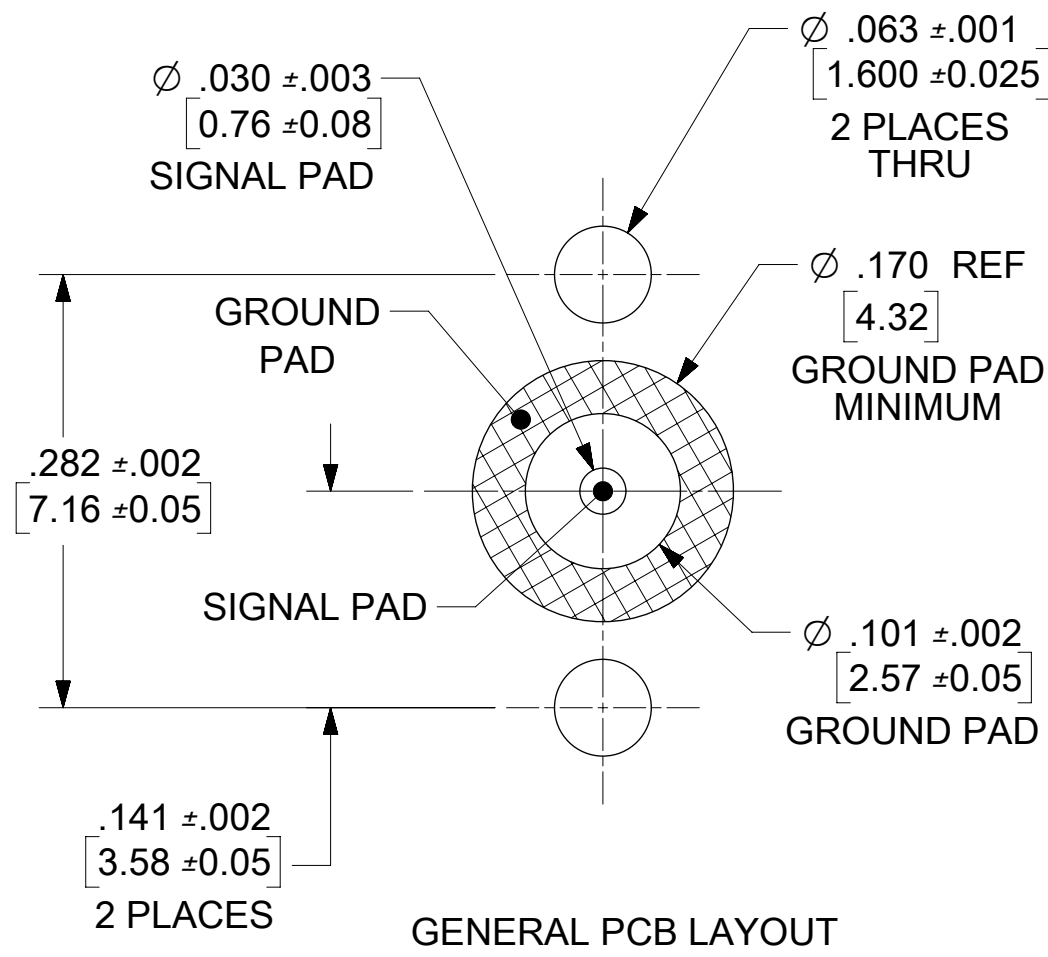
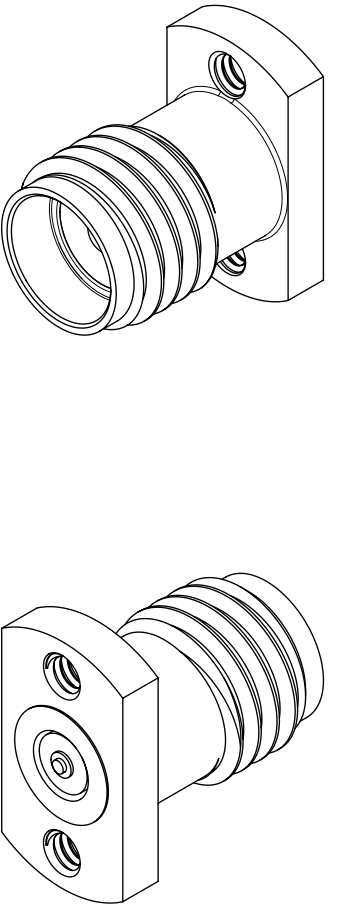
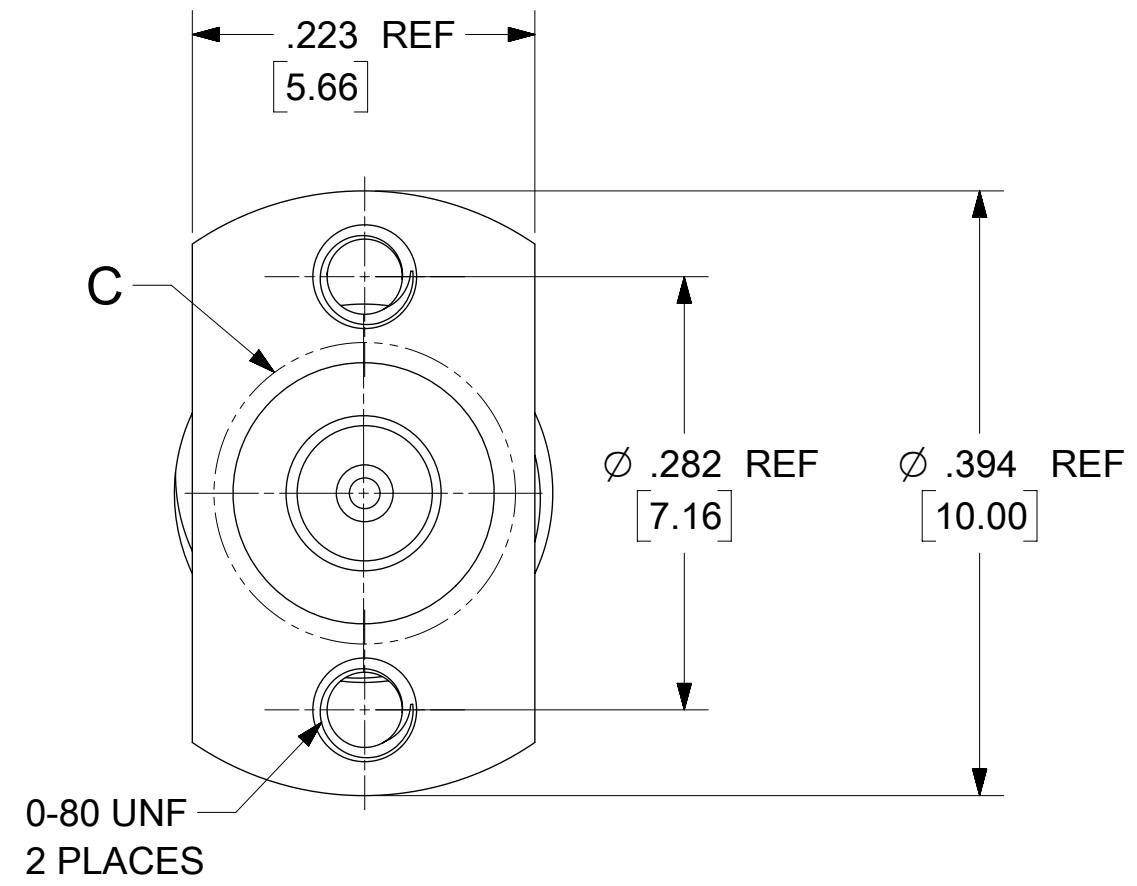
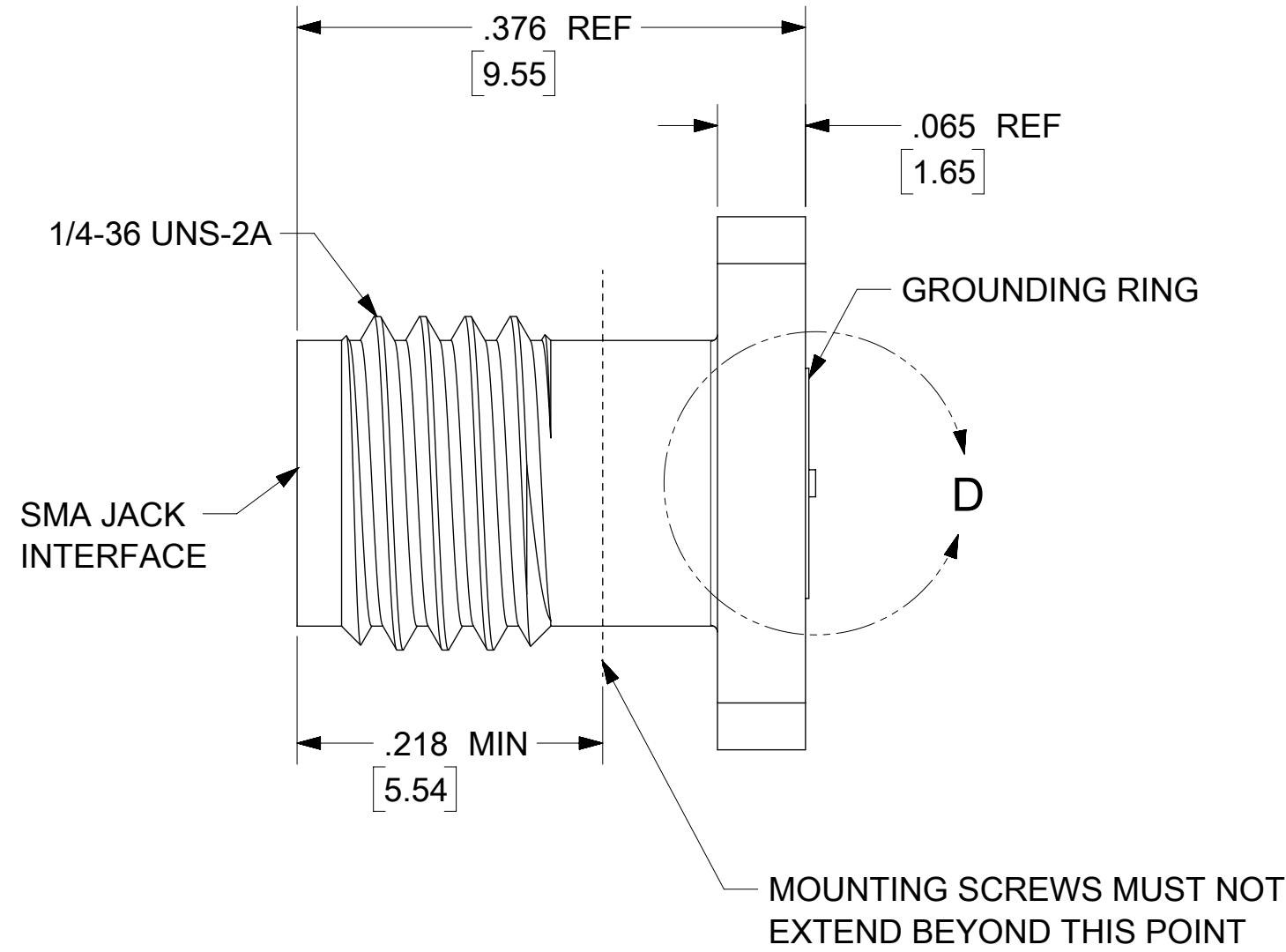
MATERIALS AND FINISHES:

BODY: STAINLESS STEEL
PLATED: PASSIVATE

CENTER CONTACT: BERYLLIUM COPPER
PLATED: GOLD (50µ-in) MIN
OVER NICKEL (100µ-in) MIN

INSULATOR: PTFE

SCREW: STAINLESS STEEL
PLATED: PASSIVATE



QUALITY SYMBOLS	THIS DRAWING CONTAINS INFORMATION THAT IS PROPRIETARY TO MOLEX ELECTRONIC TECHNOLOGIES, LLC AND SHOULD NOT BE USED WITHOUT WRITTEN PERMISSION			
	GENERAL TOLERANCES (UNLESS SPECIFIED)		DIMENSION UNITS	SCALE
▽ = 0			INCH	
▽ = 0			DRWN BY	DATE
▽ = 0			APRAKASH01	2015/09/01
▽ = 0			CHK'D BY	DATE
▽ = 0			BBHARADWAJD	2017/02/20
▽ = 0			APPR BY	DATE
▽ = 0			AROBERTSON	2015/09/01
▽ = 0			DRAWING SIZE	THIRD ANGLE PROJECTION
▽ = 0			C	
▽ = 0			DRAFT WHERE APPLICABLE MUST REMAIN WITHIN DIMENSIONS	
▽ = 0				
CHANGED RSD TO SD	EC NO: 113920	DRWN: BBHARADWAJD		
	2017/02/27	2017/02/27		
	CHKD: BBHARADWAJD	2017/02/27		
	APPR: BBHARADWAJD			
A8		A		

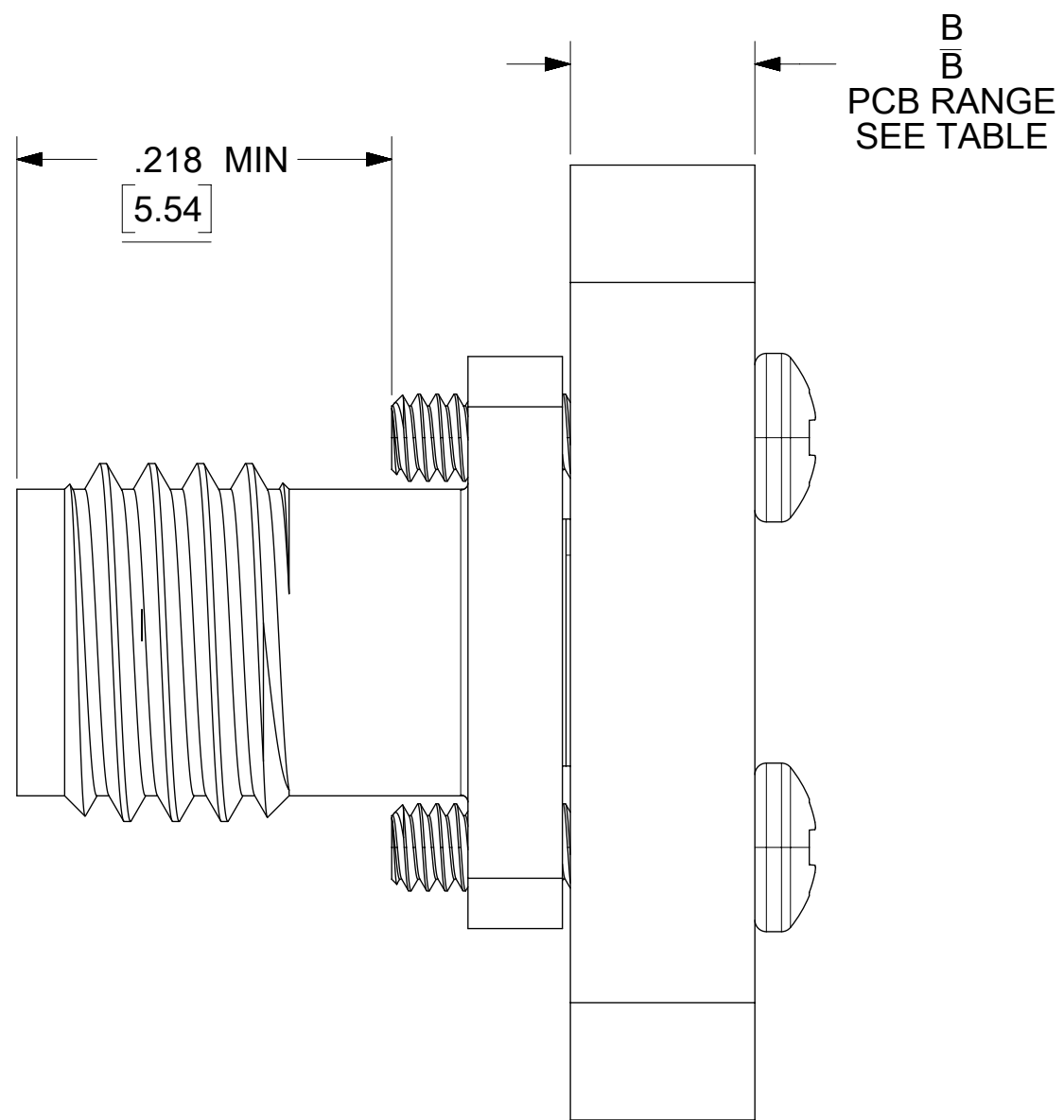
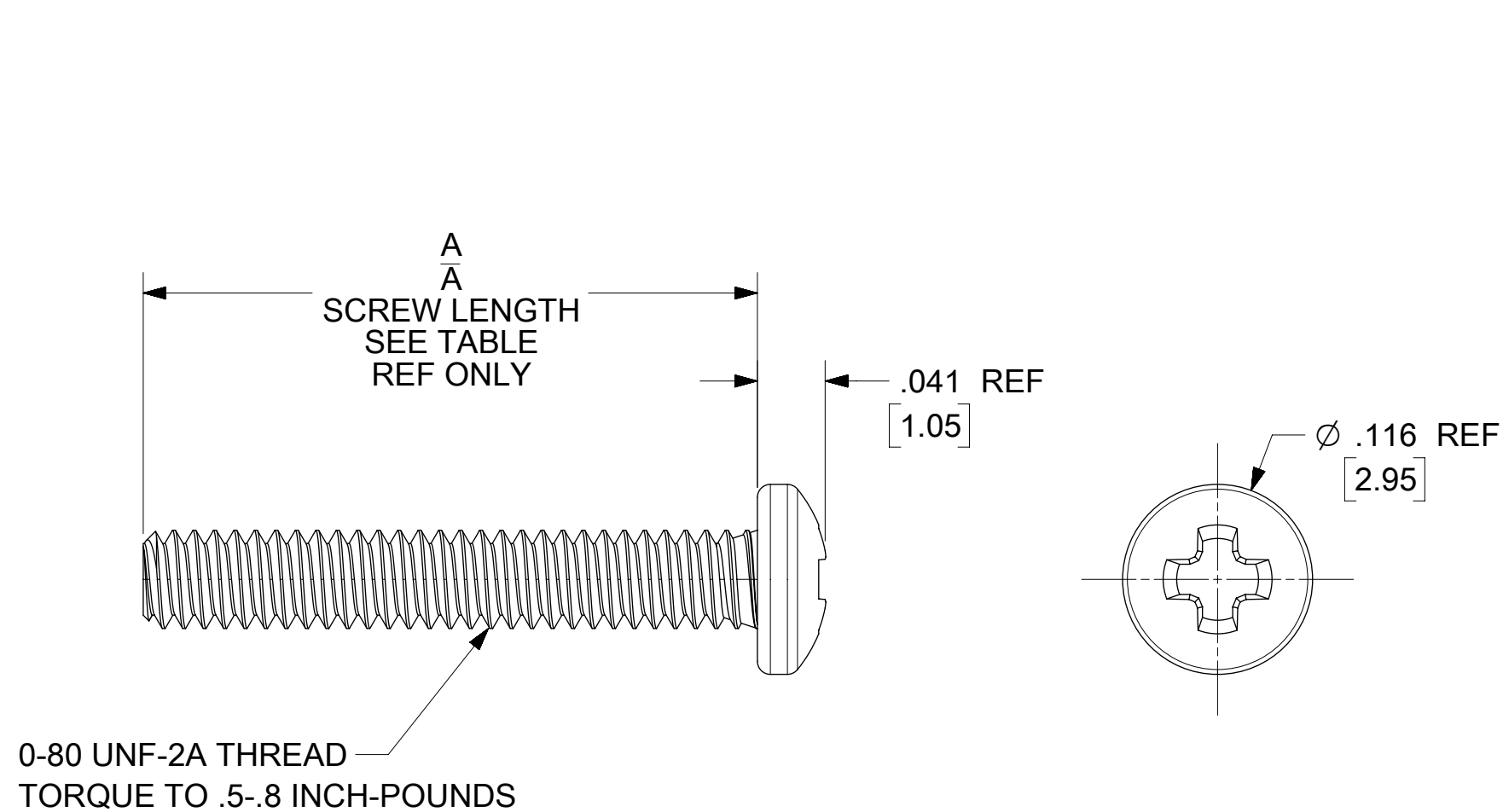
molex®		SMA JACK, FLANGE WITH 0-80 THD, 50 OHM 27 GHZ EWR-3690 SMA-J/R/F	
		PRODUCT CUSTOMER DRAWING	
SERIES	MATERIAL NUMBER	CUSTOMER	
73251	SEE TABLE		
DOCUMENT NUMBER		DOC TYPE	DOC PART
SD-73251-348		PSD	000
SHEET NUMBER		1 OF 2	

MATERIALS AND FINISHES

SEE SHEET 1

PCB LAYOUT

SEE SHEET 1



FOR ADDITIONAL APPLICATION NOTES
SEE SHEET 3 OF SD-73251-185

73251-3485	.13/3.2	.050+0.00/-0.040	1.27+0.00/-1.02	2
73251-3484	.38/9.5	.255+0.040/-0.02	6.48+1.02/-0.51	2
73251-3483	.25/6.4	.130+0.040/-0.02	3.30+1.02/-0.51	2
73251-3481	.19/4.8	.062+0.040/-0.01	1.57+1.02/-0.25	2
PART NO.	(IN/MM)	IN	MM	SCREWS (QTY)
	DIM A	DIM B		

THIS DRAWING CONTAINS INFORMATION THAT IS PROPRIETARY TO MOLEX ELECTRONIC TECHNOLOGIES, LLC AND SHOULD NOT BE USED WITHOUT WRITTEN PERMISSION

QUALITY SYMBOLS ▽ = 0 ▽ = 0 ▽ = 0 ▽ = 0 ▽ = 0 ▽ = 0 ▽ = 0 ▽ = 0 ▽ = 0	CHANGED RSD TO SD EC NO: 113920 DRWN: BBHARADWAJD CHKD: BBHARADWAJD REV APPR: BBHARADWAJD	GENERAL TOLERANCES (UNLESS SPECIFIED)		DIMENSION UNITS	SCALE
		MM	INCH	INCH	
		4 PLACES ±	±	DRWN BY	DATE
		3 PLACES ±	± 0.010	APRAKASH01	2015/09/01
		2 PLACES ±	± 0.25	CHK'D BY	DATE
		1 PLACES ±	±	BBHARADWAJD	2017/02/20
		0 PLACES ±	±	APPR BY	DATE
		ANGULAR TOL = 2		AROBERTSON	2015/09/01
		DRAFT WHERE APPLICABLE MUST REMAIN WITHIN DIMENSIONS		DRAWING SIZE	THIRD ANGLE PROJECTION
				C	

molex

SMA JACK, FLANGE WITH
0-80 THD, 50 OHM 27 GHZ EWR-3690 SMA-J/R/F

PRODUCT CUSTOMER DRAWING

SERIES	MATERIAL NUMBER	CUSTOMER
73251	SEE TABLE	
DOCUMENT NUMBER	DOC TYPE	DOC PART
SD-73251-348	PSD	000
SHEET NUMBER	2 OF 2	