



Chipsmall Limited consists of a professional team with an average of over 10 year of expertise in the distribution of electronic components. Based in Hongkong, we have already established firm and mutual-benefit business relationships with customers from,Europe,America and south Asia,supplying obsolete and hard-to-find components to meet their specific needs.

With the principle of “Quality Parts,Customers Priority,Honest Operation,and Considerate Service”,our business mainly focus on the distribution of electronic components. Line cards we deal with include Microchip,ALPS,ROHM,Xilinx,Pulse,ON,Everlight and Freescale. Main products comprise IC,Modules,Potentiometer,IC Socket,Relay,Connector.Our parts cover such applications as commercial,industrial, and automotives areas.

We are looking forward to setting up business relationship with you and hope to provide you with the best service and solution. Let us make a better world for our industry!



Contact us

Tel: +86-755-8981 8866 Fax: +86-755-8427 6832

Email & Skype: info@chipsmall.com Web: www.chipsmall.com

Address: A1208, Overseas Decoration Building, #122 Zhenhua RD., Futian, Shenzhen, China



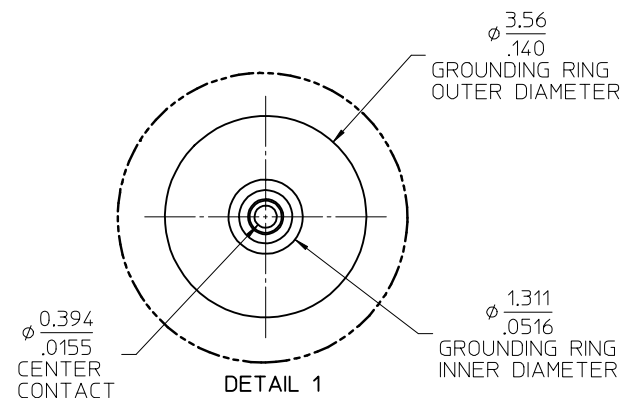
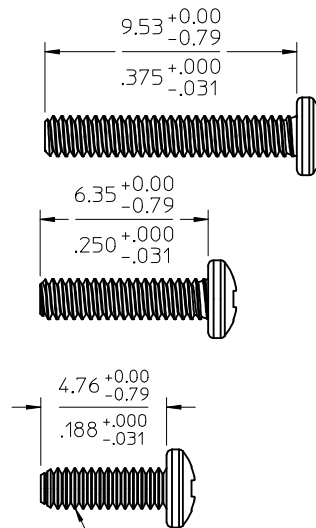
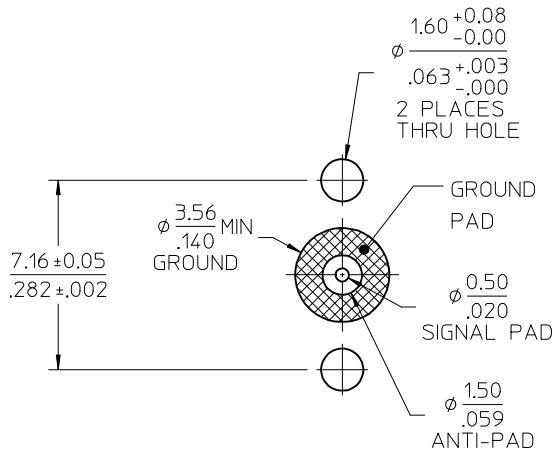
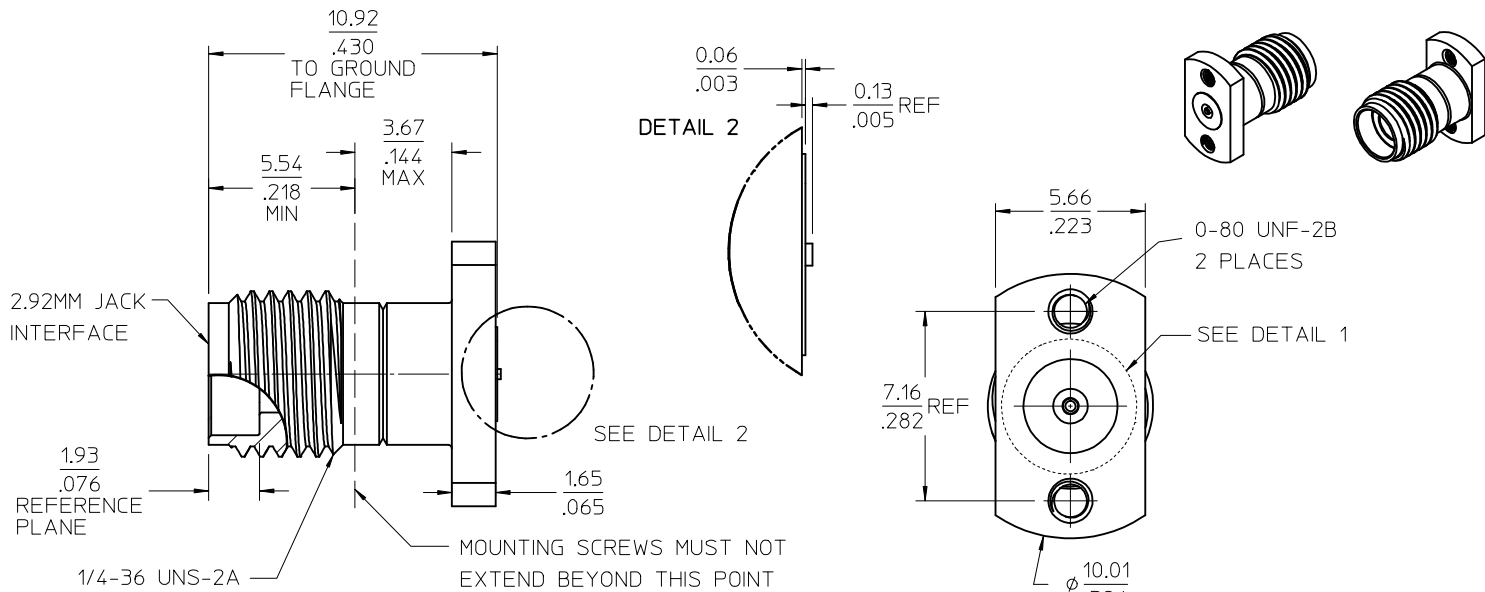
MATERIALS AND FINISHES:

BODY: STAINLESS STEEL
FINISH: PASSIVATED

CENTER CONTACT: BERYLLIUM COPPER
PLATED: GOLD (30μ-in) MIN
OVER NICKEL (100μ-in) MIN.

INSULATOR: PTFE

SCREW: STAINLESS STEEL
FINISH: PASSIVATED



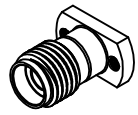
73252-0093	WITH TWO 9.5/38 SCREWS	4.32(.170) TO 7.50(.295)
73252-0092	NO SCREWS	
73252-0091	WITH TWO 6.35/25 SCREWS	1.78(.070) TO 4.19(.165)
73252-0090	WITH TWO 4.76/19 SCREWS	0.76(.030) TO 2.44(.096)
PART NO.	DESCRIPTION	PCB THICKNESS MM (IN)

CHG: DRW VIEW UPDATED, ADDED DIA FOR C/SINK HOLES ON BODY & GEN TOLERANCE VALUES. EC NO: URF2016-0157 DRWINAPRAKASH01 2015/09/01 CHKD:LLM 2015/09/01 APPR:AROBERTSON 2015/09/15	QUALITY SYMBOLS
	DESCRIPTION
B1	REV

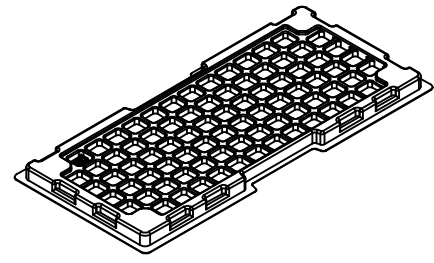
GENERAL TOLERANCES (UNLESS SPECIFIED)
mm INCH
4 PLACES ± --- ± ---
3 PLACES ± --- ± 0.010
2 PLACES ± 0.25 ± ---
1 PLACE ± --- ± ---
0 PLACE ± ±
ANGULAR ± 2°
DRAFT WHERE APPLICABLE MUST REMAIN WITHIN DIMENSIONS

DIMENSION STYLE	SCALE	DESIGN UNITS	THIRD ANGLE PROJECTION
MM/IN		METRIC	
DRAWN BY	DATE	TITLE	
JLEE02	2011/11/22	2.92MM JACK, PCB FIELD REPLACEABLE EWR-4834, 2.92-JR/F	
CHECKED BY	DATE		
SSS	2011/11/22		
APPROVED BY	DATE		
JWENER	2012/02/06		
MATERIAL NO.	DOCUMENT NO.	SHEET NO.	
SEE TABLE	SD-73252-009	1 OF 2	
SIZE C	THIS DRAWING CONTAINS INFORMATION THAT IS PROPRIETARY TO MOLEX INCORPORATED AND SHOULD NOT BE USED WITHOUT WRITTEN PERMISSION		

NOTE: PATENT PENDING

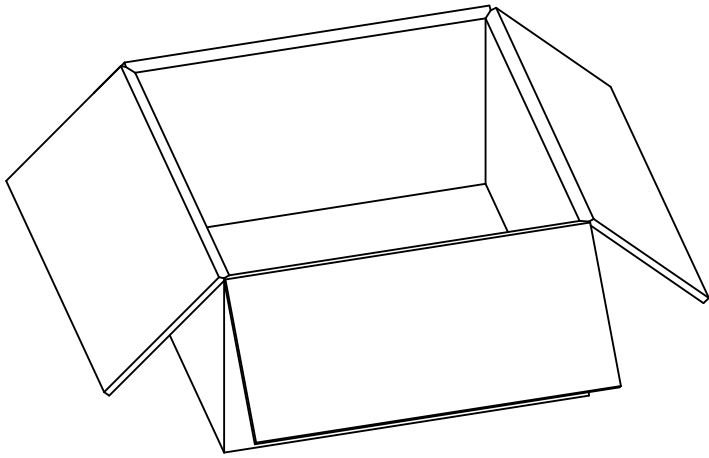


P/N: 73252-0092

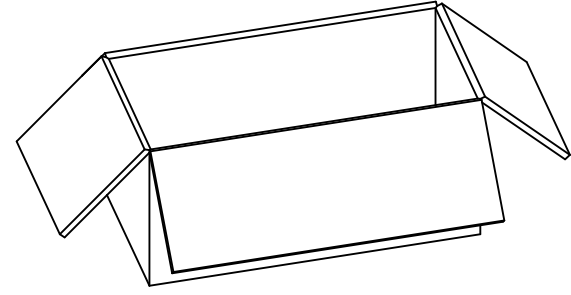


80 SETS PER TRAY
TRAY P/N: 89707-0190

FOR 73252-0092 ONLY



3200 SETS PER OUTER
CARTON BOX
P/N: 96708-0005



1600 SETS PER INNER
CARTON BOX
P/N: 96707-0001

CHG:SEE SHEET 1 EC NO: URF2016-0157 DRWN:APRAKASHO1 2015/09/01 CHKD:LLM 2015/09/01 APPR:AROBERTSON 2015/09/15	QUALITY SYMBOLS	GENERAL TOLERANCES (UNLESS SPECIFIED)	DIMENSION STYLE	SCALE	DESIGN UNITS	THIRD ANGLE PROJECTION
	▽=0	mm INCH	MM/IN	METRIC	◎	
	▽=0	4 PLACES ± --- ± ---	DRAWN BY DATE	TITLE		
	▽=0	3 PLACES ± --- ± 0.010	JLEE02 2011/11/22	2.92MM JACK, PCB FIELD REPLACEABLE EWR-4834, 2.92-JR/F		
	2 PLACES ± 0.25 ± ---	CHECKED BY DATE	MATERIAL NO. DOCUMENT NO.			
	1 PLACE ± --- ± ---	SSS 2011/11/22	SEE TABLE SD-73252-009			
	0 PLACE ± ±	APPROVED BY DATE	SHEET NO.			
	ANGULAR ± 2 °	JWIENER 2012/02/06	2 OF 2			
REV B1	DESCRIPTION	DRAFT WHERE APPLICABLE MUST REMAIN WITHIN DIMENSIONS	THIS DRAWING CONTAINS INFORMATION THAT IS PROPRIETARY TO MOLEX INCORPORATED AND SHOULD NOT BE USED WITHOUT WRITTEN PERMISSION			