



Chipsmall Limited consists of a professional team with an average of over 10 year of expertise in the distribution of electronic components. Based in Hongkong, we have already established firm and mutual-benefit business relationships with customers from,Europe,America and south Asia,supplying obsolete and hard-to-find components to meet their specific needs.

With the principle of “Quality Parts,Customers Priority,Honest Operation,and Considerate Service”,our business mainly focus on the distribution of electronic components. Line cards we deal with include Microchip,ALPS,ROHM,Xilinx,Pulse,ON,Everlight and Freescale. Main products comprise IC,Modules,Potentiometer,IC Socket,Relay,Connector.Our parts cover such applications as commercial,industrial, and automotives areas.

We are looking forward to setting up business relationship with you and hope to provide you with the best service and solution. Let us make a better world for our industry!



Contact us

Tel: +86-755-8981 8866 Fax: +86-755-8427 6832

Email & Skype: info@chipsmall.com Web: www.chipsmall.com

Address: A1208, Overseas Decoration Building, #122 Zhenhua RD., Futian, Shenzhen, China



MATERIALS AND FINISHES

COUPLING SLEEVE: BRASS
PLATED NICKEL

BODY: BRASS
PLATED TRI-M3

RETENTION CAP: BRASS
PLATED TRI-M3

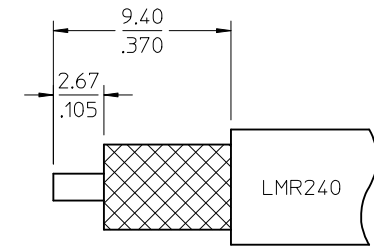
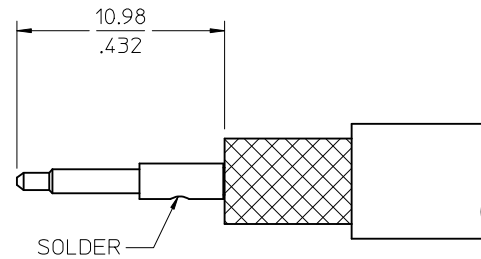
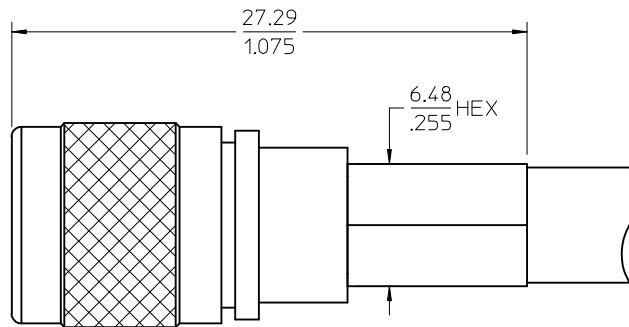
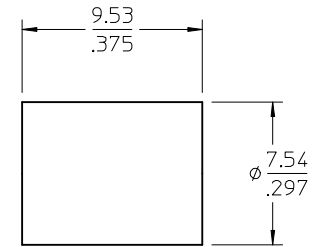
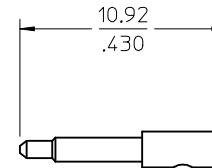
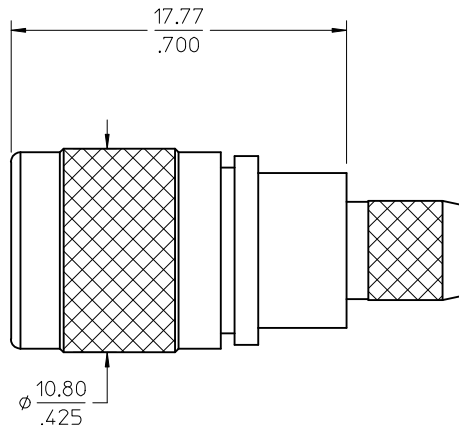
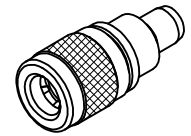
INSULATORS: TEFLON

RETENTION SPRING: STAINLESS STEEL
PASSIVATED

GROUND SPRING: BERYLLIUM COPPER
PLATED GOLD

CONTACT: BRASS
PLATED GOLD

CRIMP TUBE: BRASS
PLATED NICKEL



RECOMMENDED CABLE STRIP DIMENSION

73254-0071	ONE PER BAG
73254-0070	TRAY
PART NO	PACKAGING

CHG: UPDATE PACKAGING FOR 73254-0070 PER RF15-E211
 EC NO: URF2015-0657
 DRWNR: YEH
 CHKD: B3
 APPR: YCHENG
 2015/05/25
 2015/05/29

REV	DESCRIPTION
▽=0	QUALITY SYMBOLS
▽=0	
▽=0	

GENERAL TOLERANCES (UNLESS SPECIFIED)	
	mm INCH
4 PLACES ±	±
3 PLACES ±	±
2 PLACES ±	±
1 PLACE ±	±
0 PLACE ±	±
ANGULAR ± 2 °	
DRAFT WHERE APPLICABLE MUST REMAIN WITHIN DIMENSIONS	

DIMENSION STYLE	
MM/IN	
DRAWN BY	DATE
SSS	2003/10/01
CHECKED BY	DATE
TEF	2003/10/01
APPROVED BY	DATE
GMH	2003/10/01
MATERIAL NO.	DOCUMENT NO.
SEE TABLE	SD-73254-007
SIZE	
C	

SCALE	DESIGN UNITS	THIRD ANGLE PROJECTION
5:1	INCH	
TITLE		
QMA PLUG STRAIGHT LMR240 50 OHM QMA-PC, EWR-4121		
molex		
DOCUMENT NO.		SHEET NO.
SD-73254-007		1 OF 1
THIS DRAWING CONTAINS INFORMATION THAT IS PROPRIETARY TO MOLEX INCORPORATED AND SHOULD NOT BE USED WITHOUT WRITTEN PERMISSION		