



Chipsmall Limited consists of a professional team with an average of over 10 year of expertise in the distribution of electronic components. Based in Hongkong, we have already established firm and mutual-benefit business relationships with customers from,Europe,America and south Asia,supplying obsolete and hard-to-find components to meet their specific needs.

With the principle of "Quality Parts,Customers Priority,Honest Operation,and Considerate Service",our business mainly focus on the distribution of electronic components. Line cards we deal with include Microchip,ALPS,ROHM,Xilinx,Pulse,ON,Everlight and Freescale. Main products comprise IC,Modules,Potentiometer,IC Socket,Relay,Connector.Our parts cover such applications as commercial,industrial, and automotives areas.

We are looking forward to setting up business relationship with you and hope to provide you with the best service and solution. Let us make a better world for our industry!



Contact us

Tel: +86-755-8981 8866 Fax: +86-755-8427 6832

Email & Skype: info@chipsmall.com Web: www.chipsmall.com

Address: A1208, Overseas Decoration Building, #122 Zhenhua RD., Futian, Shenzhen, China



MATERIALS AND FINISHES

COUPLING SLEEVE: BRASS
PLATED NICKEL

BODY: BRASS
PLATED TRI-M3

RETENTION CAP: BRASS
PLATED TRI-M3

INSULATORS: TEFLON

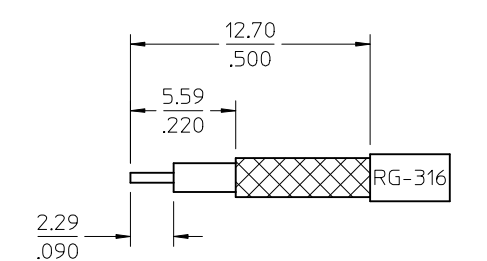
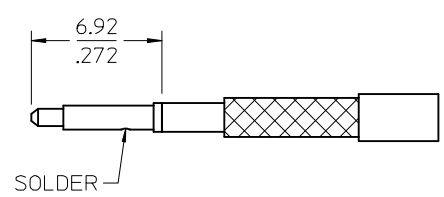
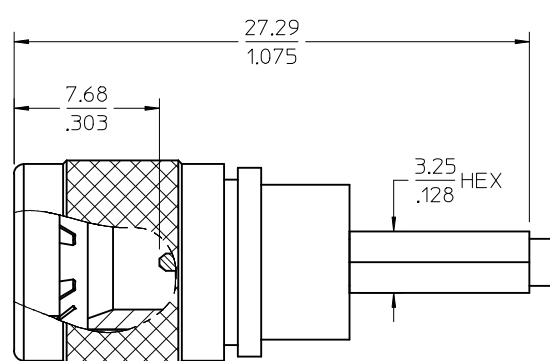
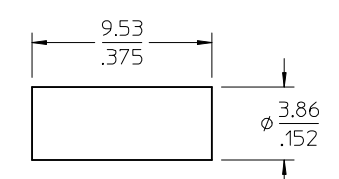
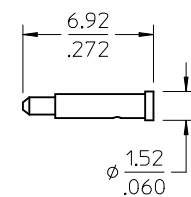
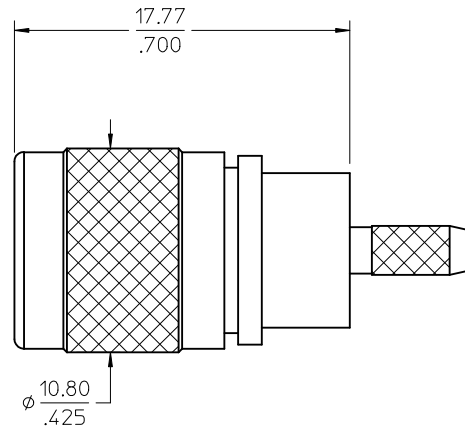
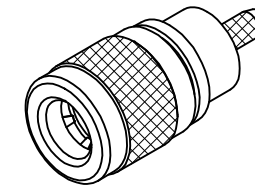
RETENTION SPRING: STAINLESS STEEL
PASSIVATED

GROUND SPRING: BERYLLIUM COPPER
PLATED GOLD

CONTACT: BRASS
PLATED GOLD

OVER HIGH PHOSPHOR NICKEL

CRIMP TUBE: BRASS
PLATED NICKEL



RECOMMENDED CABLE STRIP DIMENSION

73254-0091	ONE PIECE 73254-0090 PER BAG
73254-0090	TRAY
PART NO.	DESCRIPTION

CHG: UPDATE PACKAGING FOR 73254-0090 PER RF15-E212	EC NO: URF2015-0658	DRWNR:YEH	CHKD:	APPR:YCHENG	DESCRIPTION	DATE
						2015/05/25
						2015/05/29

QUALITY SYMBOLS	GENERAL TOLERANCES (UNLESS SPECIFIED)	DIMENSION STYLE	SCALE	DESIGN UNITS	THIRD ANGLE PROJECTION
▽=0	mm INCH	MM/IN	5:1	INCH	
▽=0					
▽=0					

DRAWN BY	DATE	TITLE
SSS	2003/10/07	QMA PLUG STRAIGHT RG316 50 OHMS QMA-PC, EWR-2187
CHECKED BY	DATE	
TEF	2003/10/07	
APPROVED BY	DATE	
GMH	2003/10/07	
MATERIAL NO.	DOCUMENT NO.	SHEET NO.
SEE TABLE	SD-73254-009	1 OF 1

ANGULAR ± 2 °	THIS DRAWING CONTAINS INFORMATION THAT IS PROPRIETARY TO MOLEX INCORPORATED AND SHOULD NOT BE USED WITHOUT WRITTEN PERMISSION
DRAFT WHERE APPLICABLE MUST REMAIN WITHIN DIMENSIONS	