



Chipsmall Limited consists of a professional team with an average of over 10 year of expertise in the distribution of electronic components. Based in Hongkong, we have already established firm and mutual-benefit business relationships with customers from,Europe,America and south Asia,supplying obsolete and hard-to-find components to meet their specific needs.

With the principle of “Quality Parts,Customers Priority,Honest Operation,and Considerate Service”,our business mainly focus on the distribution of electronic components. Line cards we deal with include Microchip,ALPS,ROHM,Xilinx,Pulse,ON,Everlight and Freescale. Main products comprise IC,Modules,Potentiometer,IC Socket,Relay,Connector.Our parts cover such applications as commercial,industrial, and automotives areas.

We are looking forward to setting up business relationship with you and hope to provide you with the best service and solution. Let us make a better world for our industry!



Contact us

Tel: +86-755-8981 8866 Fax: +86-755-8427 6832

Email & Skype: info@chipsmall.com Web: www.chipsmall.com

Address: A1208, Overseas Decoration Building, #122 Zhenhua RD., Futian, Shenzhen, China



MATERIALS AND FINISHES

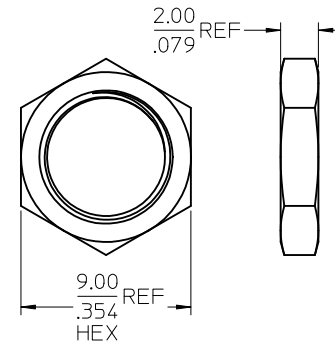
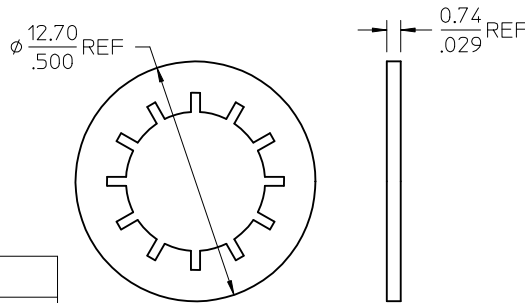
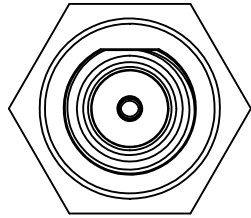
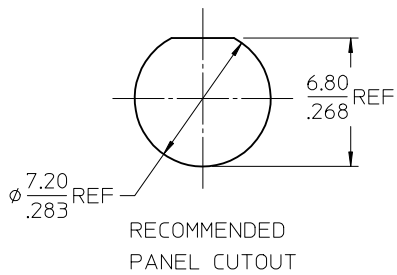
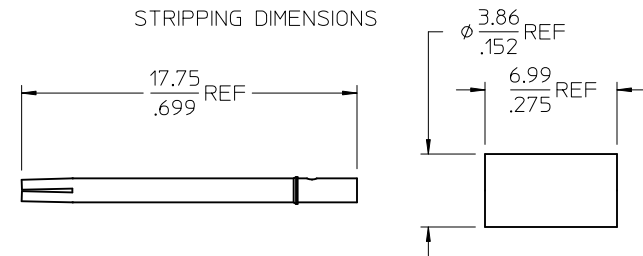
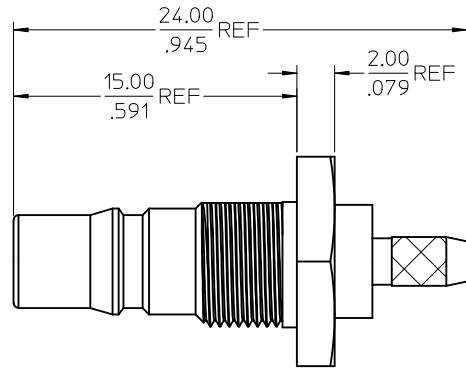
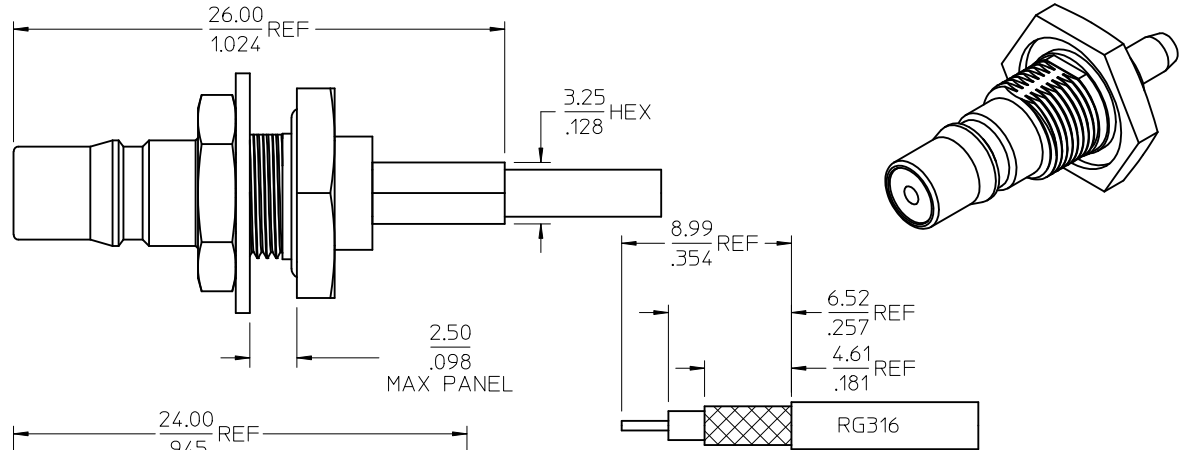
BODY: BRASS
PLATED TRI-METAL

CENTER CONTACT BERYLLIUM COPPER
PLATED GOLD

INSULATOR TEFLON

CRIMP TUBE, JAM NUT: BRASS
PLATED NICKEL

LOCKWASHER: PHOSPHOR BRONZE
PLATED TRI-METAL



73254-0101	ONE PIECE 73254-0100 PER BAG
73254-0100	BULK
PART NO.	PACKAGING

<p>CHG: CLARIFIED BAGGING.</p> <p>EC NO: URF2010-0369</p> <p>DRWN:ROBERTSON 2009/12/18</p> <p>CHKD:SSS 2009/12/18</p> <p>APPR:WIENER 2009/12/18</p>	
---	--

REV	DESCRIPTION
B3	

QUALITY SYMBOLS	<p>▽=0</p> <p>▽=0</p>															
GENERAL TOLERANCES (UNLESS SPECIFIED)	<table border="1"> <tr> <th></th> <th>mm</th> <th>INCH</th> </tr> <tr> <td>4 PLACES</td> <td>± .005</td> <td>± .0002</td> </tr> <tr> <td>3 PLACES</td> <td>± .003</td> <td>± .0001</td> </tr> <tr> <td>2 PLACES</td> <td>± .002</td> <td>± .00008</td> </tr> <tr> <td>1 PLACE</td> <td>± .001</td> <td>± .00004</td> </tr> </table> <p>ANGULAR ± 2°</p>		mm	INCH	4 PLACES	± .005	± .0002	3 PLACES	± .003	± .0001	2 PLACES	± .002	± .00008	1 PLACE	± .001	± .00004
	mm	INCH														
4 PLACES	± .005	± .0002														
3 PLACES	± .003	± .0001														
2 PLACES	± .002	± .00008														
1 PLACE	± .001	± .00004														
DRAFT WHERE APPLICABLE	MUST REMAIN WITHIN DIMENSIONS															

DIMENSION STYLE	MM/IN
DRAWN BY	TEF
DATE	2003/10/07
CHECKED BY	SSS
DATE	2003/10/07
APPROVED BY	GMH
DATE	2003/10/07
MATERIAL NO.	SEE TABLE
SIZE	C

SCALE	DESIGN UNITS	THIRD ANGLE PROJECTION
	METRIC	
<p>TITLE</p> <p>QMA JACK, RG316 50 OHMS, EWR-2192 QMA-JC</p>		
<p>MOLEX MOLEX INCORPORATED</p>		<p>SHEET NO.</p> <p>1 OF 1</p>
<p>DOCUMENT NO.</p> <p>SD-73254-010</p>		
<p>THIS DRAWING CONTAINS INFORMATION THAT IS PROPRIETARY TO MOLEX INCORPORATED AND SHOULD NOT BE USED WITHOUT WRITTEN PERMISSION</p>		