

Chipsmall Limited consists of a professional team with an average of over 10 year of expertise in the distribution of electronic components. Based in Hongkong, we have already established firm and mutual-benefit business relationships with customers from,Europe,America and south Asia,supplying obsolete and hard-to-find components to meet their specific needs.

With the principle of “Quality Parts,Customers Priority,Honest Operation,and Considerate Service”,our business mainly focus on the distribution of electronic components. Line cards we deal with include Microchip,ALPS,ROHM,Xilinx,Pulse,ON,Everlight and Freescale. Main products comprise IC,Modules,Potentiometer,IC Socket,Relay,Connector.Our parts cover such applications as commercial,industrial, and automotives areas.

We are looking forward to setting up business relationship with you and hope to provide you with the best service and solution. Let us make a better world for our industry!



## Contact us

Tel: +86-755-8981 8866 Fax: +86-755-8427 6832

Email & Skype: info@chipsmall.com Web: www.chipsmall.com

Address: A1208, Overseas Decoration Building, #122 Zhenhua RD., Futian, Shenzhen, China

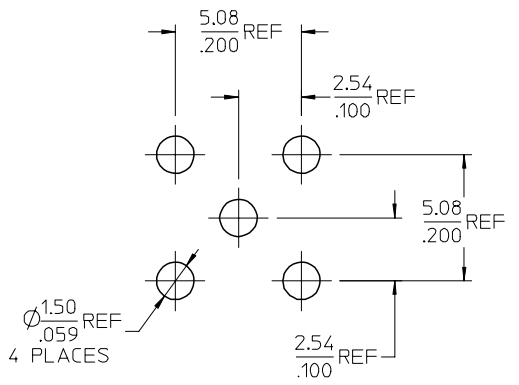
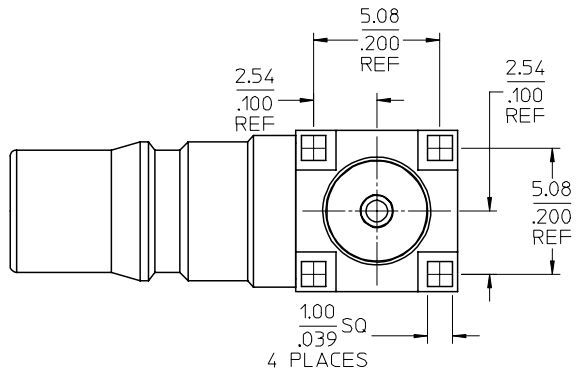
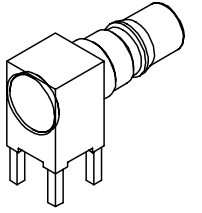
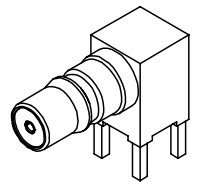
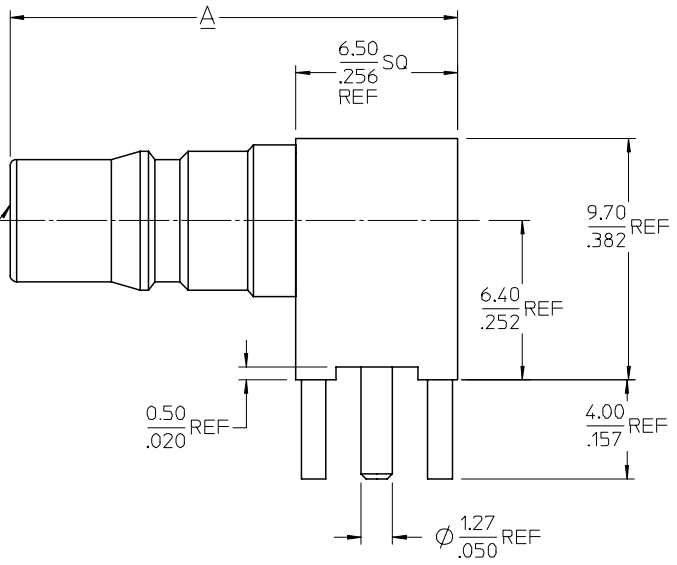
MATERIALS AND FINISHES

BODY, CAP BRASS  
 PLATED GOLD (10 MICROINCHES MIN)  
 OVER CHEMICAL NICKEL

INSULATOR TEFLON

CENTER CONTACT BERYLLIUM COPPER  
 PLATED GOLD (10 MICROINCHES MIN)  
 OVER CHEMICAL NICKEL

QMA JACK  
 INTERFACE



RECOMMENDED PCB LAYOUT

73254-0242	21.00/.827 REF	BULK
73254-0241	18.00/.709 REF	P/N 73254-0240, ONE PER BAG
73254-0240	18.00/.709 REF	BULK
PART NO.	DIM A	PACKAGING

CHG: UPDATED VIEWS WITH REVISED BODY AND INSULATOR.  
 EC NO: URF2008-0002  
 DRWN: ARROBERTSON 2007/07/03  
 CHKD: 2007/07/03  
 APPR: JIM ENEER 2007/07/03  
 A3

QUALITY SYMBOLS  
 ▽=0  
 ▽=0  
 DESCRIPTION

GENERAL TOLERANCES (UNLESS SPECIFIED)	
	MM/IN
4 PLACES	± .005 / ± .001
3 PLACES	± .004 / ± .001
2 PLACES	± .003 / ± .001
1 PLACE	± .002 / ± .001
ANGULAR ± 2 °	
DRAFT WHERE APPLICABLE MUST REMAIN WITHIN DIMENSIONS	

DIMENSION STYLE	
MM/IN	
DRAWN BY	DATE
SSS	2005/02/08
CHECKED BY	DATE
TEF	2005/02/08
APPROVED BY	DATE
JDW	2005/02/08
MATERIAL NO.	
SEE TABLE	

SCALE	DESIGN UNITS	THIRD ANGLE PROJECTION
	METRIC	
QMA JACK, R/A, PCB 50 OHMS, EWR2710 QMA-J/PCB		
molex MOLEX INCORPORATED		
DOCUMENT NO.	SHEET NO.	
SD-73254-024	1 OF 1	
THIS DRAWING CONTAINS INFORMATION THAT IS PROPRIETARY TO MOLEX INCORPORATED AND SHOULD NOT BE USED WITHOUT WRITTEN PERMISSION		