



Chipsmall Limited consists of a professional team with an average of over 10 year of expertise in the distribution of electronic components. Based in Hongkong, we have already established firm and mutual-benefit business relationships with customers from,Europe,America and south Asia,supplying obsolete and hard-to-find components to meet their specific needs.

With the principle of “Quality Parts,Customers Priority,Honest Operation,and Considerate Service”,our business mainly focus on the distribution of electronic components. Line cards we deal with include Microchip,ALPS,ROHM,Xilinx,Pulse,ON,Everlight and Freescale. Main products comprise IC,Modules,Potentiometer,IC Socket,Relay,Connector.Our parts cover such applications as commercial,industrial, and automotives areas.

We are looking forward to setting up business relationship with you and hope to provide you with the best service and solution. Let us make a better world for our industry!



## Contact us

Tel: +86-755-8981 8866 Fax: +86-755-8427 6832

Email & Skype: info@chipsmall.com Web: www.chipsmall.com

Address: A1208, Overseas Decoration Building, #122 Zhenhua RD., Futian, Shenzhen, China

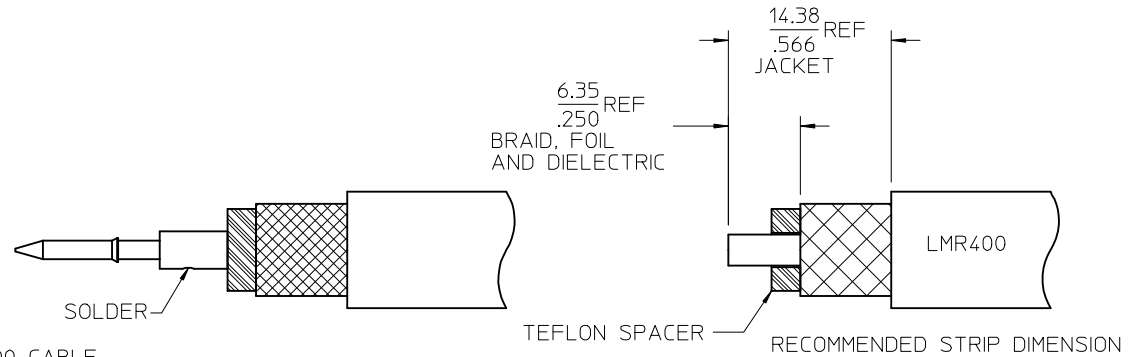
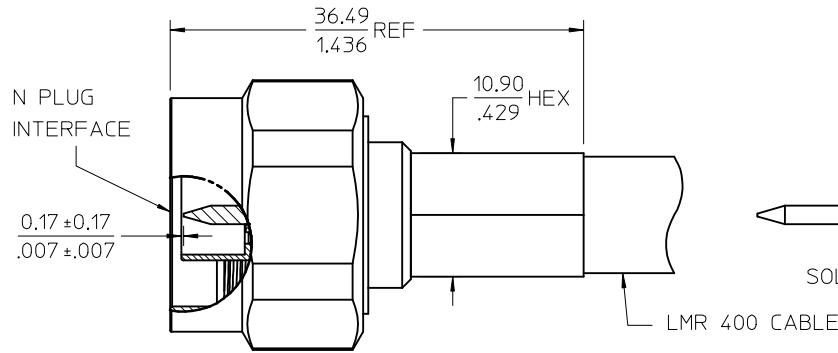
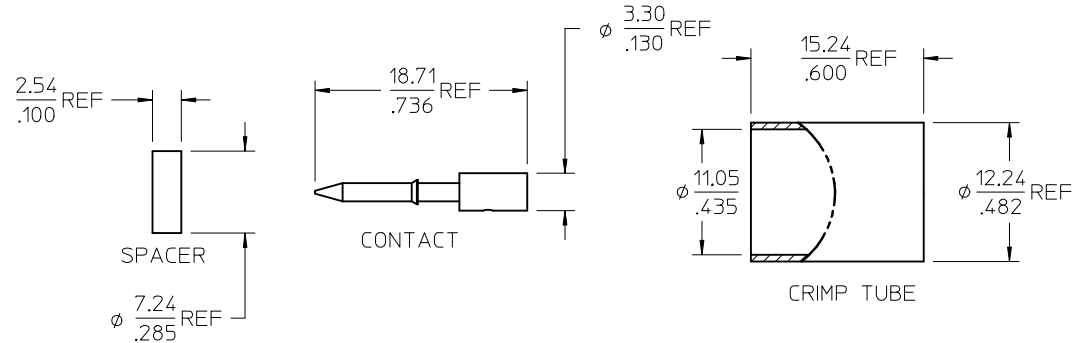
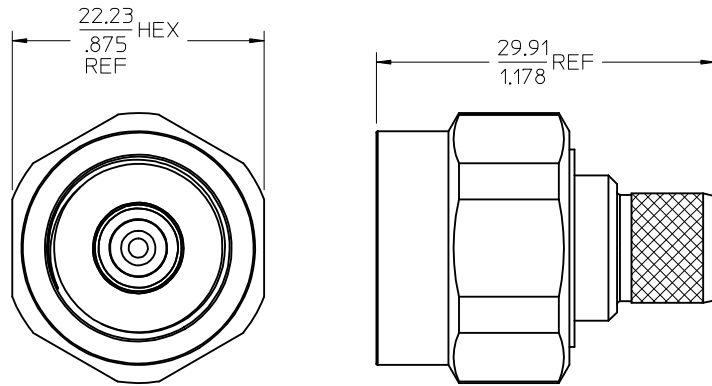
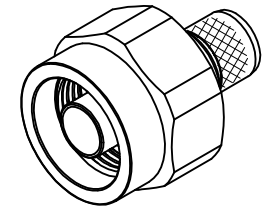


MATERIALS AND FINISHES

BODY, COUPLING NUT, CRIMP TUBE BRASS  
PLATED SEE TABLE

CENTER CONTACT BRASS  
PLATED GOLD

INSULATOR, SPACER TEFLON



MIL-STD-348A, FIG. 304-1	INTERFACE
SPECIFICATION	DESCRIPTION

73276-0112	NICKEL	ONE PER BAG
73276-0111	NICKEL	STANDARD
73276-0110	SILVER	STANDARD
PART NUMBER	PLATING	PACKAGING

CHG: UPDATE VIEW OF REAR BODY EC NO: URF2013-0712 DRWN: JWIENER CHKD: SSS APPR: JWIENER 2013/06/21 2013/06/21 2013/06/21	QUALITY SYMBOLS ▽=0 ▽=0	GENERAL TOLERANCES (UNLESS SPECIFIED) 4 PLACES ± --- ± --- 3 PLACES ± --- ± --- 2 PLACES ± --- ± --- 1 PLACE ± --- ± --- ANGULAR ± 2°	DIMENSION STYLE MM/IN DRAWN BY DATE EDC 1998/05/06 CHECKED BY DATE NBJ 1998/05/14 APPROVED BY DATE JWIENER 2010/05/03	SCALE DESIGN UNITS METRIC THIRD ANGLE PROJECTION	TITLE N PLUG, STR, CRIMP STYLE LMR-400 N-PC EWR-3211
		DRAFT WHERE APPLICABLE MUST REMAIN WITHIN DIMENSIONS	MATERIAL NO. SEE TABLE	DOCUMENT NO. SD-73276-011	SHEET NO. 1 OF 1