



Chipsmall Limited consists of a professional team with an average of over 10 year of expertise in the distribution of electronic components. Based in Hongkong, we have already established firm and mutual-benefit business relationships with customers from,Europe,America and south Asia,supplying obsolete and hard-to-find components to meet their specific needs.

With the principle of “Quality Parts,Customers Priority,Honest Operation,and Considerate Service”,our business mainly focus on the distribution of electronic components. Line cards we deal with include Microchip,ALPS,ROHM,Xilinx,Pulse,ON,Everlight and Freescale. Main products comprise IC,Modules,Potentiometer,IC Socket,Relay,Connector.Our parts cover such applications as commercial,industrial, and automotives areas.

We are looking forward to setting up business relationship with you and hope to provide you with the best service and solution. Let us make a better world for our industry!



Contact us

Tel: +86-755-8981 8866 Fax: +86-755-8427 6832

Email & Skype: info@chipsmall.com Web: www.chipsmall.com

Address: A1208, Overseas Decoration Building, #122 Zhenhua RD., Futian, Shenzhen, China



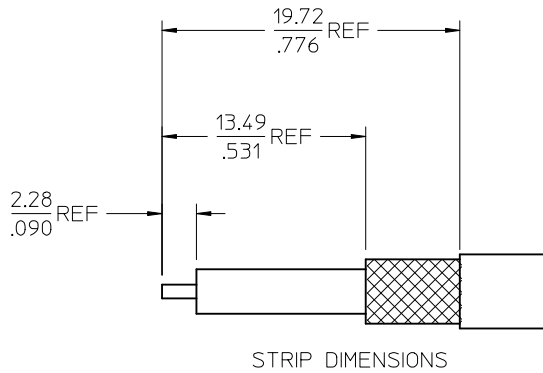
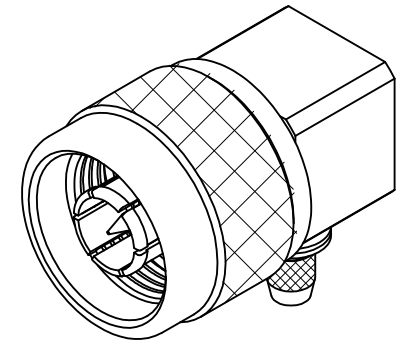
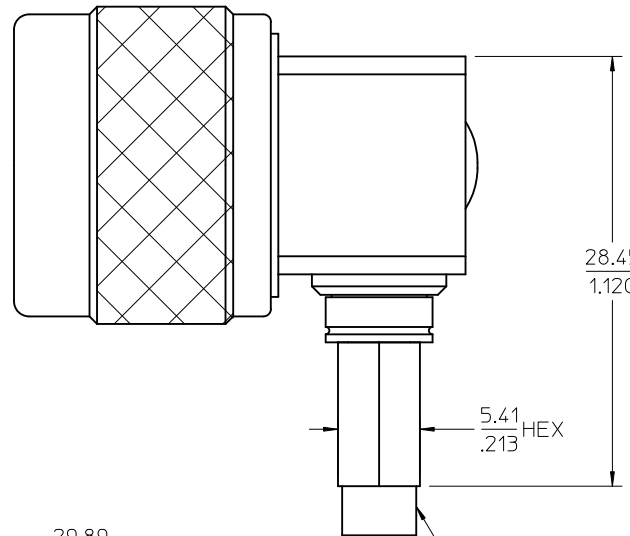
MATERIALS AND FINISHES

BODY, COUPLING NUT, CAP, OUTER CONTACT BRASS
PLATED NICKEL

CENTER CONTACT BRASS
PLATED GOLD

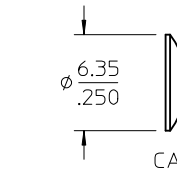
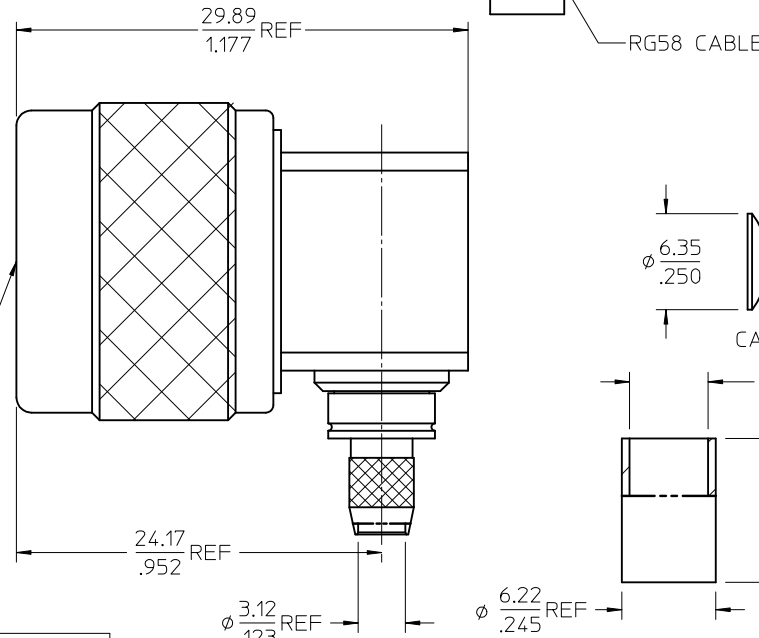
INSULATOR TEFLON

GASKET SILICONE RUBBER

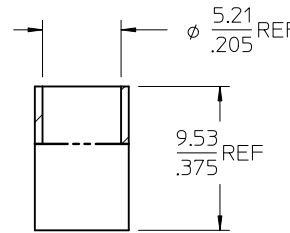


STRIP DIMENSIONS

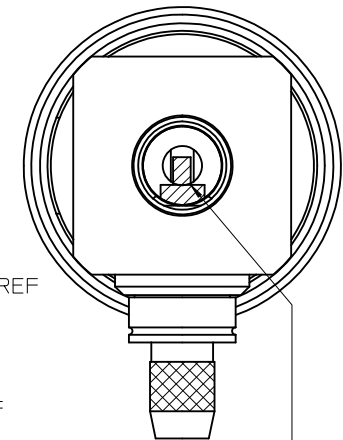
N PLUG
INTERFACE



CAP



CRIMP TUBE



CABLE DIELECTRIC MUST
COME CLOSE TO THE CENTER
CONTACT AS POSSIBLE

73276-0191	ONE PER BAG
73276-0190	STANDARD
PART NO.	PACKAGING

MIL-STD-348A, FIG. 304.1	INTERFACE
SPECIFICATION	DESCRIPTION

CHG: ADD -0191	DESCRIPTION
EC NO: URF2011-0614	2011/04/18
DRWN: JWIENER	2011/04/18
CHKD: SSS	2011/04/18
APPR: JWIENER	2011/04/20
REV	
B1	

QUALITY SYMBOLS
▽=0
▽=0

GENERAL TOLERANCES (UNLESS SPECIFIED)
4 PLACES ± --- ± ---
3 PLACES ± --- ± ---
2 PLACES ± --- ± ---
1 PLACE ± --- ± ---
ANGULAR ± 2 °
DRAFT WHERE APPLICABLE MUST REMAIN WITHIN DIMENSIONS

DIMENSION STYLE	MM/IN
DRAWN BY	DATE
JM	2005/08/24
CHECKED BY	DATE
JM	2005/08/24
APPROVED BY	DATE
JDW	2005/08/24
MATERIAL NO.	SEE TABLE
SIZE	C

SCALE	DESIGN UNITS	THIRD ANGLE PROJECTION
	METRIC	
TITLE		
N PLUG, R/A FOR RG58 CABLE, 50 OHMS EWR-2894, N-PC/RA		
MOLEX INCORPORATED		
DOCUMENT NO.	SHEET NO.	
SD-73276-019	1 OF 1	
THIS DRAWING CONTAINS INFORMATION THAT IS PROPRIETARY TO MOLEX INCORPORATED AND SHOULD NOT BE USED WITHOUT WRITTEN PERMISSION		