



Chipsmall Limited consists of a professional team with an average of over 10 year of expertise in the distribution of electronic components. Based in Hongkong, we have already established firm and mutual-benefit business relationships with customers from,Europe,America and south Asia,supplying obsolete and hard-to-find components to meet their specific needs.

With the principle of “Quality Parts,Customers Priority,Honest Operation,and Considerate Service”,our business mainly focus on the distribution of electronic components. Line cards we deal with include Microchip,ALPS,ROHM,Xilinx,Pulse,ON,Everlight and Freescale. Main products comprise IC,Modules,Potentiometer,IC Socket,Relay,Connector.Our parts cover such applications as commercial,industrial, and automotives areas.

We are looking forward to setting up business relationship with you and hope to provide you with the best service and solution. Let us make a better world for our industry!



Contact us

Tel: +86-755-8981 8866 Fax: +86-755-8427 6832

Email & Skype: info@chipsmall.com Web: www.chipsmall.com

Address: A1208, Overseas Decoration Building, #122 Zhenhua RD., Futian, Shenzhen, China



MATERIALS AND FINISHES:
 BODY, CRIMP TUBE: BRASS
 PLATED: NICKEL (100μ-in MIN)

JAM NUT : BRASS
 PLATED: NICKEL (70μ-in MIN)

CENTER CONTACT: BERYLLIUM COPPER
 PLATED: SEE TABLE
 OVER NICKEL (100μ-in MIN)

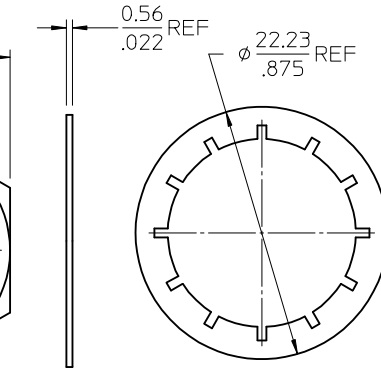
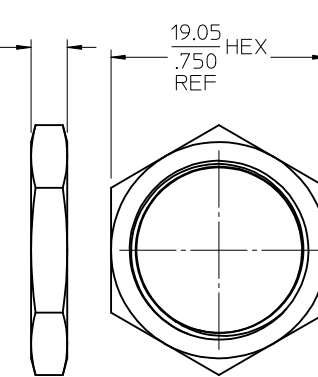
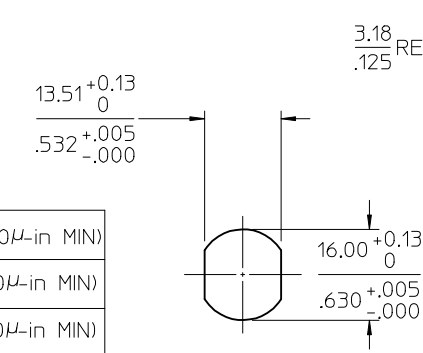
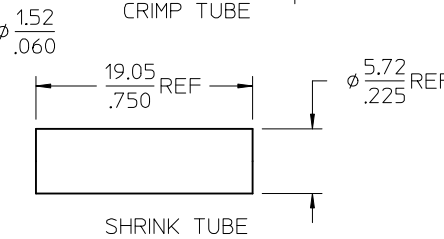
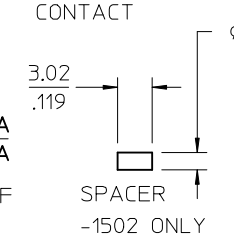
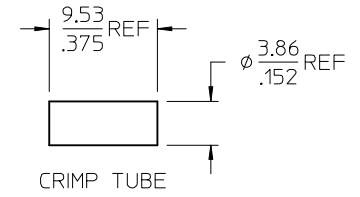
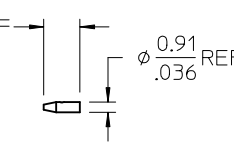
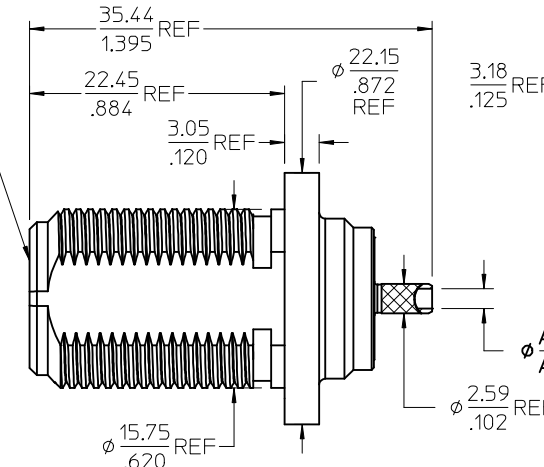
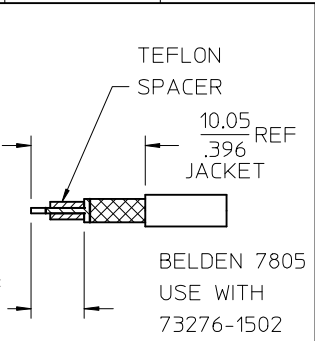
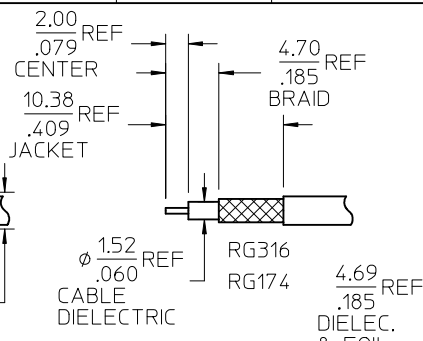
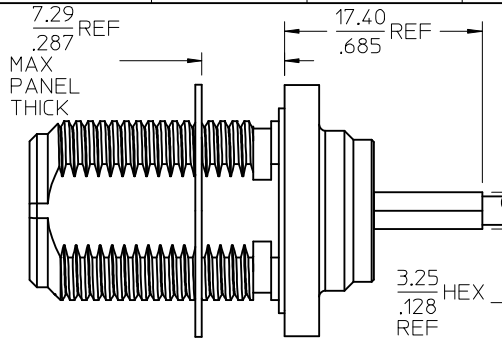
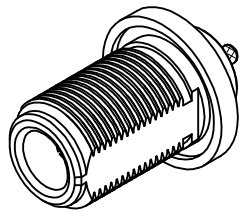
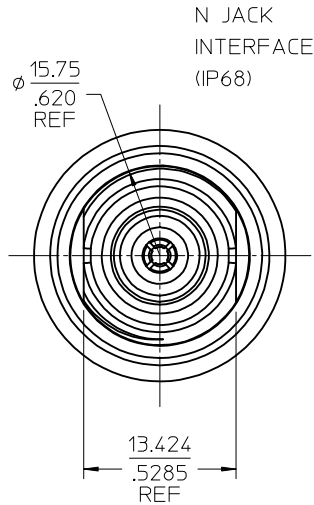
CABLE CONTACT: BRASS
 PLATED: GOLD (10μ-in MIN)
 OVER NICKEL (100μ-in MIN)

LOCKWASHER: PHOSPHOR BRONZE
 PLATED: NICKEL (100μ-in MIN)

INSULATOR, SPACER: PTFE

GASKET: SILICONE RUBBER

SHRINK TUBE: VERSAFIT 3/16-0



73276-1502	BULK	1.613 / .0635	BELDEN	GOLD (30μ-in MIN)
73276-1501	ONE PER BAG	1.613 / .0635	RG316	GOLD (10μ-in MIN)
73276-1500	BULK	1.613 / .0635	RG316	GOLD (10μ-in MIN)
PART NO.	PACKAGING	MM / IN	CABLE TYPE	CENTER CONTACT FINISH
		DIM A		

MIL-STD-348B, FIG. 304.1	INTERFACE
SPECIFICATION	DESCRIPTION

CHG: UPD VIEWS FOR BODY DESIGN CHANGE
 UPD MAT & FINISH NOTES, TABULATED CENTER CONTACT FINISH.
 EC NO: URF2016-0824
 DRW:PSMAM102 2016/06/08
 CHKD:BBB 2016/06/08
 APPR:AROBERTSON 2016/06/23

QUALITY SYMBOLS
 ▽=0
 ▽=0

GENERAL TOLERANCES (UNLESS SPECIFIED)

	mm	INCH
4 PLACES	± .005	± .0005
3 PLACES	± .005	± .0005
2 PLACES	± .025	± .001
1 PLACE	± .005	± .0005

ANGULAR ± 2 °

DRAFT WHERE APPLICABLE MUST REMAIN WITHIN DIMENSIONS

DIMENSION STYLE
 MM/IN

DRAWN BY DATE
 SSS 2008/01/15

CHECKED BY DATE
 AZR 2008/01/15

APPROVED BY DATE
 JDW 2008/01/15

MATERIAL NO.
 SEE TABLE

SIZE
 C

SCALE
 DESIGN UNITS INCH

THIRD ANGLE PROJECTION

TITLE
 N JACK IP68 BLKHD RM
 RG316 BELDEN 7805
 EWR-3517, N-JC/BLK

MOLEX INCORPORATED

DOCUMENT NO.
 SD-73276-150

SHEET NO.
 1 OF 1

THIS DRAWING CONTAINS INFORMATION THAT IS PROPRIETARY TO MOLEX INCORPORATED AND SHOULD NOT BE USED WITHOUT WRITTEN PERMISSION