



Chipsmall Limited consists of a professional team with an average of over 10 year of expertise in the distribution of electronic components. Based in Hongkong, we have already established firm and mutual-benefit business relationships with customers from,Europe,America and south Asia,supplying obsolete and hard-to-find components to meet their specific needs.

With the principle of “Quality Parts,Customers Priority,Honest Operation,and Considerate Service”,our business mainly focus on the distribution of electronic components. Line cards we deal with include Microchip,ALPS,ROHM,Xilinx,Pulse,ON,Everlight and Freescale. Main products comprise IC,Modules,Potentiometer,IC Socket,Relay,Connector.Our parts cover such applications as commercial,industrial, and automotives areas.

We are looking forward to setting up business relationship with you and hope to provide you with the best service and solution. Let us make a better world for our industry!



Contact us

Tel: +86-755-8981 8866 Fax: +86-755-8427 6832

Email & Skype: info@chipsmall.com Web: www.chipsmall.com

Address: A1208, Overseas Decoration Building, #122 Zhenhua RD., Futian, Shenzhen, China



MATERIALS AND FINISHES

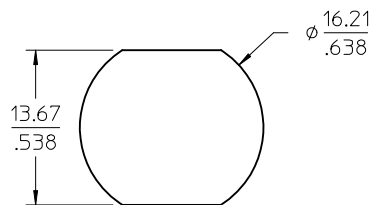
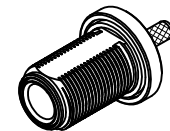
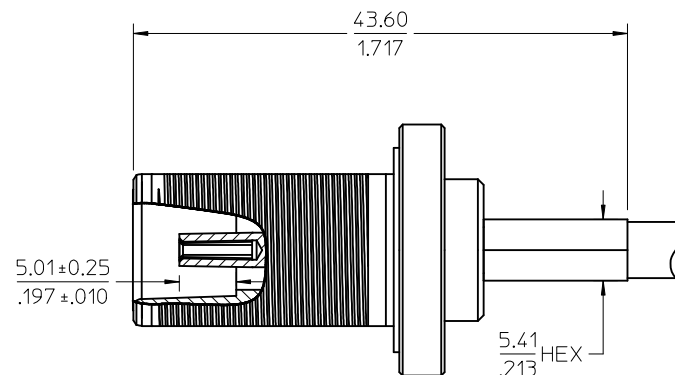
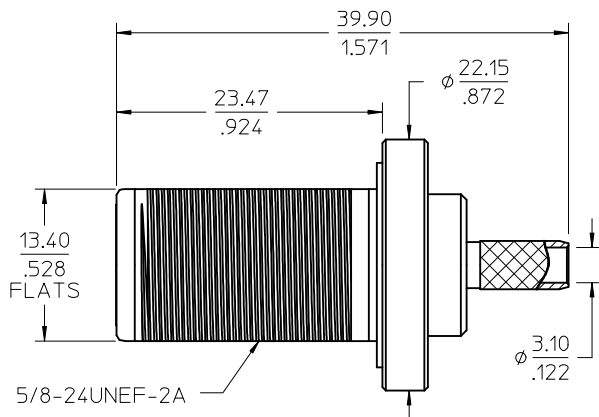
BODY, JAM NUT, CRIMP FERRULE: BRASS PLATED NICKEL

CENTER CONTACT: PHOSPHOR BRONZE PLATED GOLD

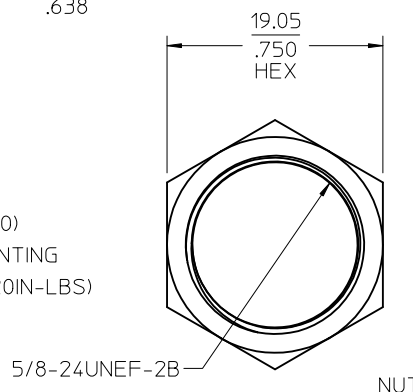
INSULATOR: TEFLON

GASKET: SILICONE RUBBER

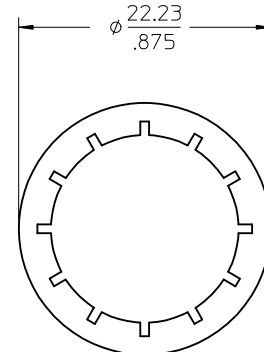
WASHER: PHOSPHOR BRONZE PLATED NICKEL



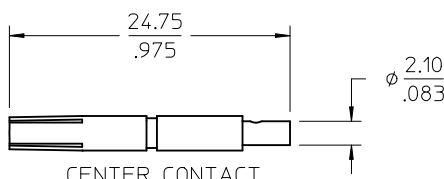
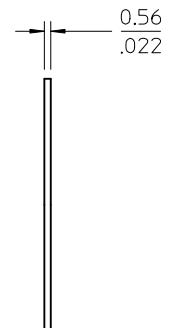
MAX. PANEL THICKNESS: 6.35(.250)
RECOMMENDED MOUNTING TORQUE: 2.26N-M (20IN-LBS)



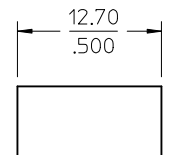
NUT



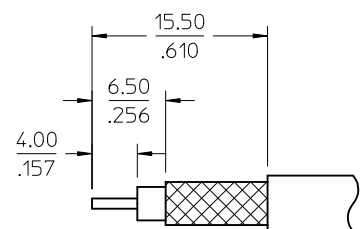
WASHER



CENTER CONTACT



FERRULE



CABLE STRIP DIMENSIONS CENTER CONTACT CRIMP (HEX: 1.73 (.068))

73276-2370	ONE PER BAG
73100-0037	STANDARD
PART NO.	PACKAGING

ES-89675-3220	ELEC/MECH PERFORMANCE
SPECIFICATION	DESCRIPTION

CHG: ADD SINGLE BAG OPTION PS WAS 73598-0033	EC NO: URF2011-0612	2011/04/18
	DRWN:WIENER	2011/04/18
B2	CHKD:SSS	2011/04/18
	APPR:WIENER	2011/04/18

QUALITY SYMBOLS	▽=0
	▽=0

GENERAL TOLERANCES (UNLESS SPECIFIED)	
	mm
	INCH
4 PLACES	± .005
3 PLACES	± .005
2 PLACES	± .005
1 PLACE	± .005
ANGULAR ± 2°	
DRAFT WHERE APPLICABLE MUST REMAIN WITHIN DIMENSIONS	

DIMENSION STYLE	
MM/IN	
DRAWN BY	DATE
JM	2004/12/06
CHECKED BY	DATE
JM	2004/12/06
APPROVED BY	DATE
JDW	2004/12/06
MATERIAL NO.	SEE TABLE
SIZE	C

SCALE	DESIGN UNITS	THIRD ANGLE PROJECTION
	METRIC	
TITLE		
N JACK, STRAIGHT BULKHEAD FOR RG58, RG141 50 OHMS, N-JC EWR-1357		
MOLEX INCORPORATED		
DOCUMENT NO.	SHEET NO.	
SD-73100-0037	1 OF 1	
THIS DRAWING CONTAINS INFORMATION THAT IS PROPRIETARY TO MOLEX INCORPORATED AND SHOULD NOT BE USED WITHOUT WRITTEN PERMISSION		

MATERIALS AND FINISHES

SEE SD-73100-0037

P/N: 73276-2370: THIS IS P/N: 73100-0037 PLACED IN A SINGLE BAG

CHG: NEW RELEASE EC NO: URF2011-0612 DRAWN: JWIENER CHKD: SSS APPR: JWIENER	DESCRIPTION 2011/04/18 2011/04/18 2011/04/18	QUALITY SYMBOLS ▽=0 ▽=0	GENERAL TOLERANCES (UNLESS SPECIFIED)		DIMENSION STYLE MM/IN		SCALE	DESIGN UNITS	THIRD ANGLE PROJECTION	
			mm	INCH	DRAWN BY JWIENER	DATE 2011/04/18	TITLE N JACK BULKHEAD RG58 50 OHMS N-JC EWR-1357			
A	REV		4 PLACES	± ---	± ---	CHECKED BY SSS	DATE 2011/04/18	MOLEX INCORPORATED	DOCUMENT NO. SD-73276-237	SHEET NO. 1 OF 1
			3 PLACES	± ---	± ---	APPROVED BY JWIENER	DATE 2011/04/18			
			2 PLACES	± ---	± ---	MATERIAL NO. SEE TABLE		THIS DRAWING CONTAINS INFORMATION THAT IS PROPRIETARY TO MOLEX INCORPORATED AND SHOULD NOT BE USED WITHOUT WRITTEN PERMISSION		
			1 PLACE	± ---	± ---	SIZE C				
			ANGULAR ± ---°		DRAFT WHERE APPLICABLE MUST REMAIN WITHIN DIMENSIONS					