



Chipsmall Limited consists of a professional team with an average of over 10 year of expertise in the distribution of electronic components. Based in Hongkong, we have already established firm and mutual-benefit business relationships with customers from,Europe,America and south Asia,supplying obsolete and hard-to-find components to meet their specific needs.

With the principle of “Quality Parts,Customers Priority,Honest Operation,and Considerate Service”,our business mainly focus on the distribution of electronic components. Line cards we deal with include Microchip,ALPS,ROHM,Xilinx,Pulse,ON,Everlight and Freescale. Main products comprise IC,Modules,Potentiometer,IC Socket,Relay,Connector.Our parts cover such applications as commercial,industrial, and automotives areas.

We are looking forward to setting up business relationship with you and hope to provide you with the best service and solution. Let us make a better world for our industry!



## Contact us

Tel: +86-755-8981 8866 Fax: +86-755-8427 6832

Email & Skype: info@chipsmall.com Web: www.chipsmall.com

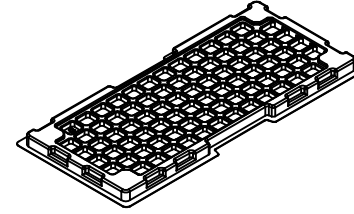
Address: A1208, Overseas Decoration Building, #122 Zhenhua RD., Futian, Shenzhen, China



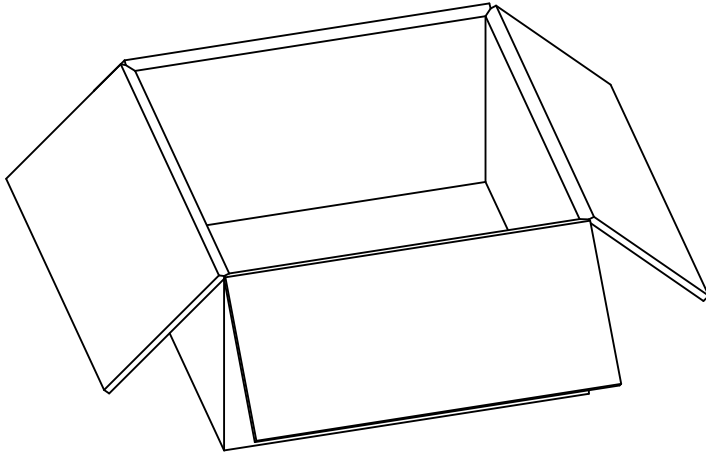




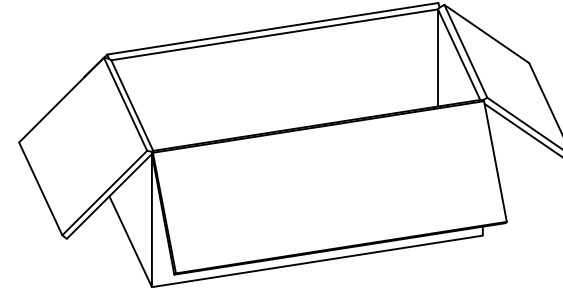
P/N: 73300-0020



80 SETS PER TRAY  
P/N: 89707-0190



3200 SETS PER OUTER  
CARTON BOX  
P/N: 96708-0005



1600 SETS PER INNER  
CARTON BOX  
P/N: 96707-0001

CHG:SEE SHEET 1  
EC NO: URF2016-0847  
DRAWN:YEH 2016/06/16  
CHKD:  
APPR:YCHENG 2016/06/24

REV	DESCRIPTION	QUALITY SYMBOLS
		= 0
		= 0
		= 0

GENERAL TOLERANCES (UNLESS SPECIFIED)

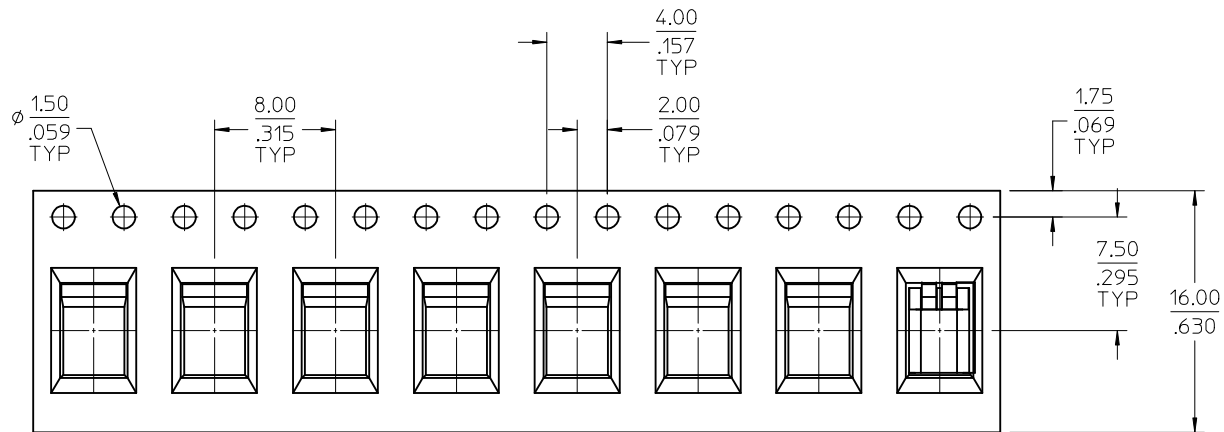
	mm	INCH
4 PLACES	± .005	± .0002
3 PLACES	± .005	± .0002
2 PLACES	± .005	± .0002
1 PLACE	± .005	± .0002
0 PLACE	± .005	± .0002

ANGULAR ± 2 °

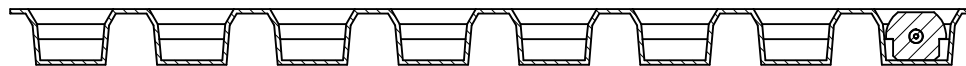
DRAFT WHERE APPLICABLE MUST REMAIN WITHIN DIMENSIONS

DIMENSION STYLE		SCALE	DESIGN UNITS
MM/IN		3:1	METRIC
DRAWN BY	DATE	TITLE	
JLEE	2007/09/20	SMPM PLUG EDGE MOUNT	
CHECKED BY	DATE	50 OHM FULL DETENT	
SSS	2007/09/20	EWR-3445 SMPM-P/PCB	
APPROVED BY	DATE	molex	
JWIENER	2007/09/20	SD-73300-002	
MATERIAL NO.	DOCUMENT NO.	SHEET NO.	
SEE TABLE		2 OF 5	

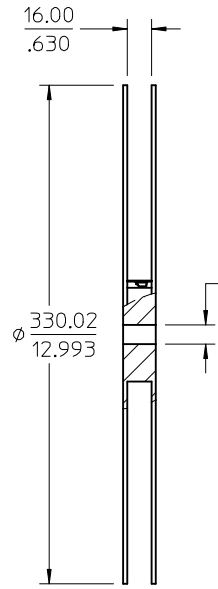
THIS DRAWING CONTAINS INFORMATION THAT IS PROPRIETARY TO MOLEX INCORPORATED AND SHOULD NOT BE USED WITHOUT WRITTEN PERMISSION



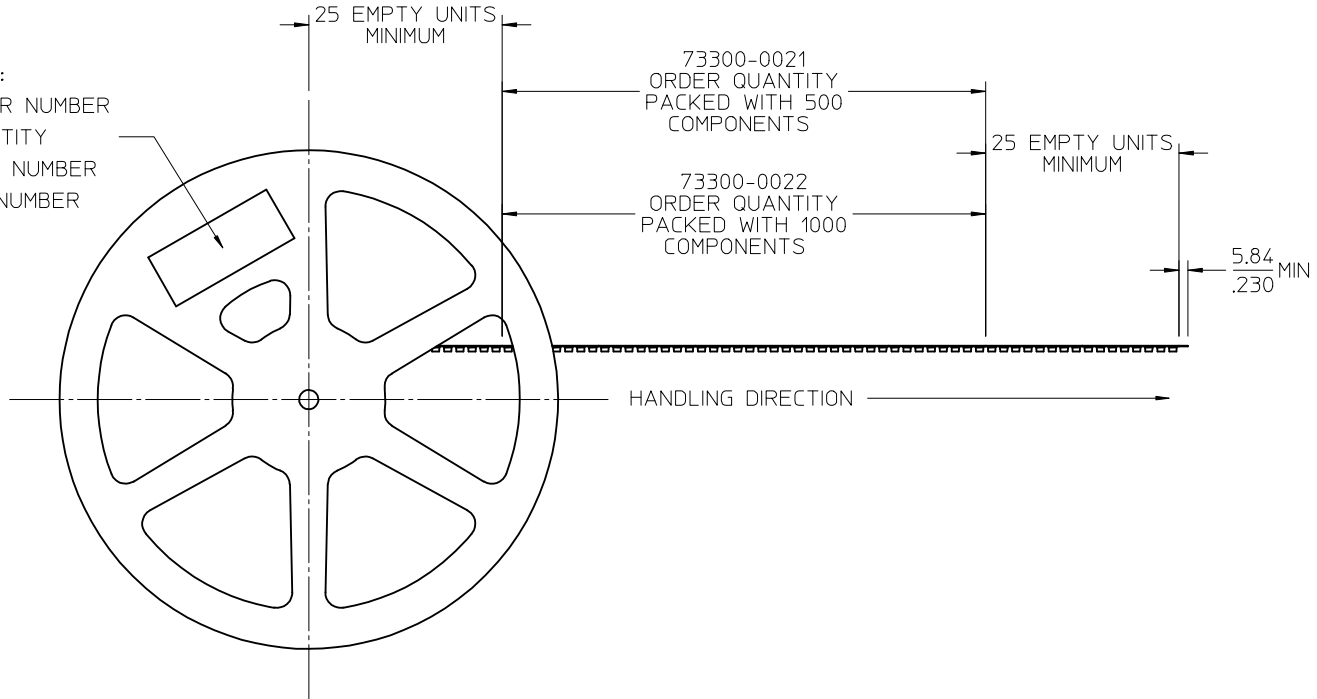
FOR 73300-0021 & -0022



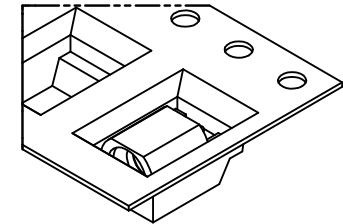
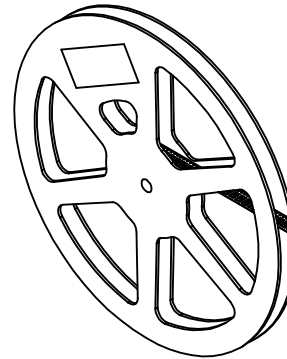
CHG:SEE SHEET 1 EC NO: URF2016-0847 DRAWN:RYEH 2016/06/16 CHKD: APPR:YCHENG 2016/06/24	QUALITY SYMBOLS ▽=0 ▽=0 ▽=0	GENERAL TOLERANCES (UNLESS SPECIFIED)		DIMENSION STYLE MM/IN	SCALE 4:1	DESIGN UNITS METRIC	THIRD ANGLE PROJECTION										
		4 PLACES ± --- ± ---	3 PLACES ± --- ± ---	2 PLACES ± --- ± ---	1 PLACE ± --- ± ---	0 PLACE ± --- ± ---	ANGULAR ± 2 °	DRAFT WHERE APPLICABLE MUST REMAIN WITHIN DIMENSIONS	DRAWN BY JLEE	DATE 2007/09/20	CHECKED BY SSS	DATE 2007/09/20	APPROVED BY JWIENER	DATE 2007/09/20	MATERIAL NO. SEE TABLE	DOCUMENT NO. SD-73300-002	SHEET NO. 3 OF 5
C2	REV					TITLE SMPM PLUG EDGE MOUNT 50 OHM FULL DETENT EWR-3445 SMPM-P/PCB		molex									



LABEL:  
 -ORDER NUMBER  
 -QUANTITY  
 -PART NUMBER  
 -LOT NUMBER



FOR 73300-0021 & -0022



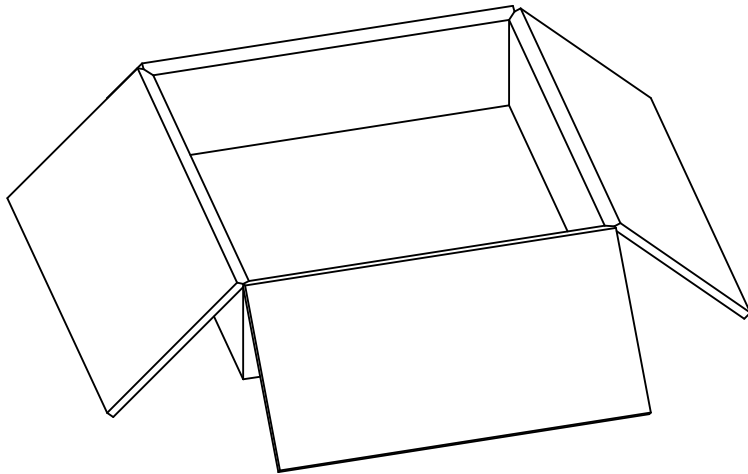
Detail 1  
Scale 5:1

SEE Detail 1

CHG:SEE SHEET 1 EC NO: URF2016-0847 DRAWN:RYEH CHKD: APPR:YCHENG 2016/06/16 2016/06/24 C2	QUALITY SYMBOLS ▽=0 ▽=0 ▽=0	GENERAL TOLERANCES (UNLESS SPECIFIED) <table border="1"> <tr> <th></th> <th>mm</th> <th>INCH</th> </tr> <tr> <td>4 PLACES</td> <td>± .---</td> <td>± .---</td> </tr> <tr> <td>3 PLACES</td> <td>± .---</td> <td>± .---</td> </tr> <tr> <td>2 PLACES</td> <td>± .---</td> <td>± .---</td> </tr> <tr> <td>1 PLACE</td> <td>± .---</td> <td>± .---</td> </tr> <tr> <td>0 PLACE</td> <td>±</td> <td>±</td> </tr> </table>		mm	INCH	4 PLACES	± .---	± .---	3 PLACES	± .---	± .---	2 PLACES	± .---	± .---	1 PLACE	± .---	± .---	0 PLACE	±	±	DIMENSION STYLE MM/IN	SCALE 1:2.5	DESIGN UNITS METRIC	THIRD ANGLE PROJECTION
		mm	INCH																					
	4 PLACES	± .---	± .---																					
	3 PLACES	± .---	± .---																					
2 PLACES	± .---	± .---																						
1 PLACE	± .---	± .---																						
0 PLACE	±	±																						
		ANGULAR ± 2° DRAFT WHERE APPLICABLE MUST REMAIN WITHIN DIMENSIONS	DRAWN BY JLEE DATE 2007/09/20	CHECKED BY SSS DATE 2007/09/20	APPROVED BY JW IENER DATE 2007/09/20	TITLE SMPM PLUG EDGE MOUNT 50 OHM FULL DETENT EWR-3445 SMPM-P/PCB																		
			MATERIAL NO. SEE TABLE	DOCUMENT NO. SD-73300-002	SHEET NO. 4 OF 5																			
			THIS DRAWING CONTAINS INFORMATION THAT IS PROPRIETARY TO MOLEX INCORPORATED AND SHOULD NOT BE USED WITHOUT WRITTEN PERMISSION																					

73300-0021

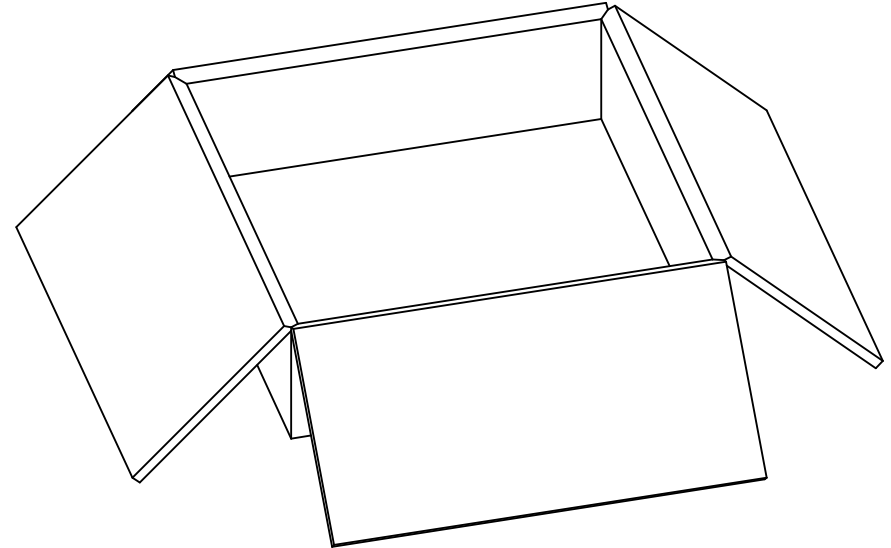
500 X 73300-0020 PER REEL  
P/N: 89707-0234



ONE REEL PER CARTON  
P/N: 89499-9021

73300-0022

1000 x 73300-0020 PER REEL  
P/N: 89707-0234



7 REELS PER CARTON  
P/N: 89499-9031

CHG:SEE SHEET 1  
EC NO: URF2016-0847  
DRAWN:YEH 2016/06/16  
CHKD:  
APPR:YCHENG 2016/06/24

REV	DESCRIPTION	QUALITY SYMBOLS

GENERAL TOLERANCES (UNLESS SPECIFIED)

	mm	INCH
4 PLACES	± .005	± .0002
3 PLACES	± .005	± .0002
2 PLACES	± .005	± .0002
1 PLACE	± .005	± .0002
0 PLACE	± .005	± .0002

ANGULAR ± 2 °

DRAFT WHERE APPLICABLE MUST REMAIN WITHIN DIMENSIONS

DIMENSION STYLE: MM/IN

DRAWN BY: JLEE DATE: 2007/09/20

CHECKED BY: SSS DATE: 2007/09/20

APPROVED BY: JW IENER DATE: 2007/09/20

MATERIAL NO. SEE TABLE

SCALE: 1:3.33

DESIGN UNITS: METRIC

THIRD ANGLE PROJECTION

TITLE: SMPM PLUG EDGE MOUNT  
50 OHM FULL DETENT  
EWR-3445 SMPM-P/PCB

**molex**

DOCUMENT NO. SD-73300-002

SHEET NO. 5 OF 5

THIS DRAWING CONTAINS INFORMATION THAT IS PROPRIETARY TO MOLEX INCORPORATED AND SHOULD NOT BE USED WITHOUT WRITTEN PERMISSION