



Chipsmall Limited consists of a professional team with an average of over 10 year of expertise in the distribution of electronic components. Based in Hongkong, we have already established firm and mutual-benefit business relationships with customers from,Europe,America and south Asia,supplying obsolete and hard-to-find components to meet their specific needs.

With the principle of “Quality Parts,Customers Priority,Honest Operation,and Considerate Service”,our business mainly focus on the distribution of electronic components. Line cards we deal with include Microchip,ALPS,ROHM,Xilinx,Pulse,ON,Everlight and Freescale. Main products comprise IC,Modules,Potentiometer,IC Socket,Relay,Connector.Our parts cover such applications as commercial,industrial, and automotives areas.

We are looking forward to setting up business relationship with you and hope to provide you with the best service and solution. Let us make a better world for our industry!



Contact us

Tel: +86-755-8981 8866 Fax: +86-755-8427 6832

Email & Skype: info@chipsmall.com Web: www.chipsmall.com

Address: A1208, Overseas Decoration Building, #122 Zhenhua RD., Futian, Shenzhen, China



MATERIALS AND FINISH:

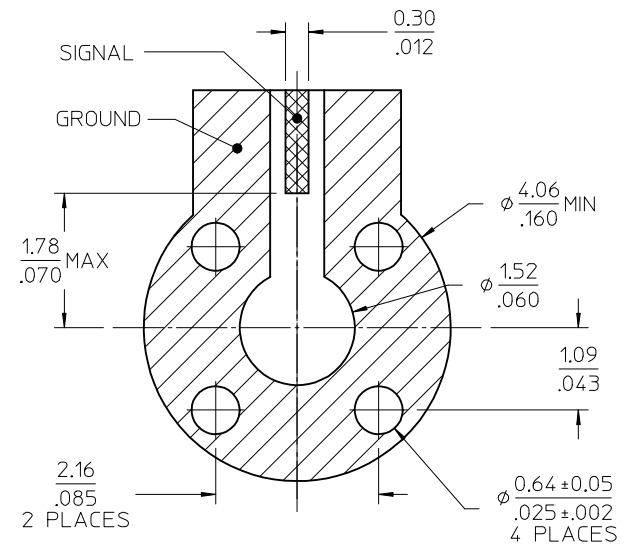
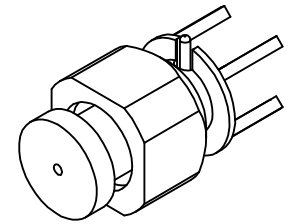
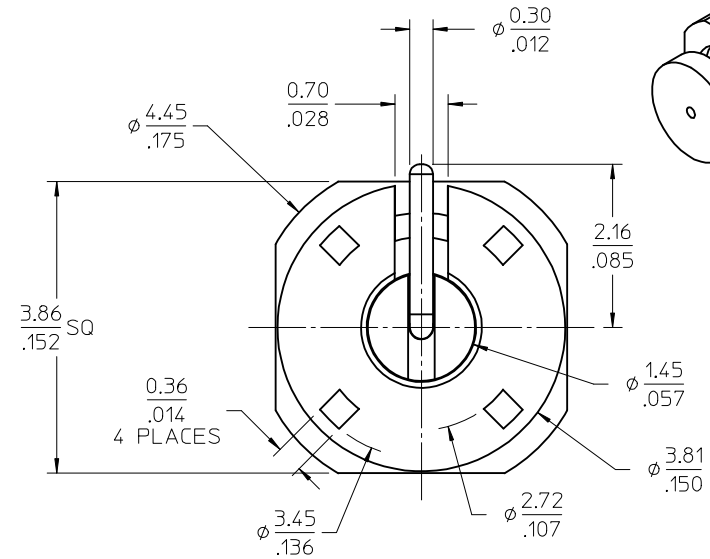
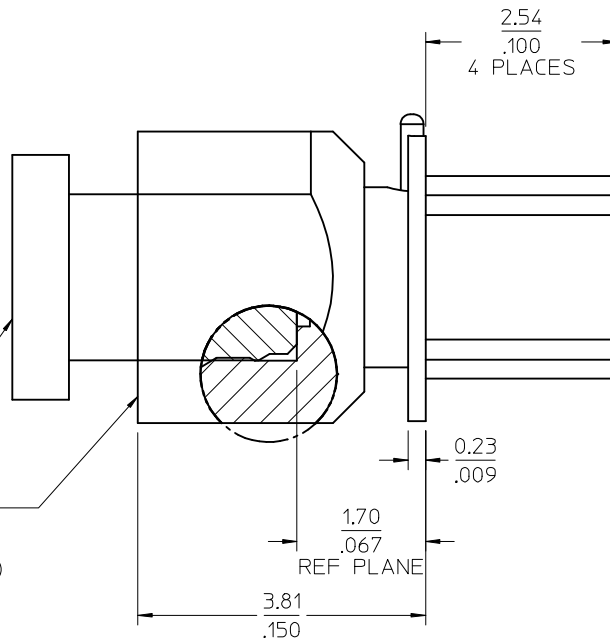
BODY: BRASS
 FINISH: GOLD 30u-in OVER
 NICKEL 100u-in

CONTACT: BERYLLIUM COPPER
 FINISH: GOLD 30u-in OVER
 NICKEL 100u-in

INSULATOR,
 ALIGNMENT PLUG: PTFE

ALIGNMENT PLUG:
 REMOVE AFTER SOLDERING
 ONTO PCB

SMPM PLUG
 INTERFACE
 (FULL DETENT)



SUGGESTED PCB FOOTPRINT

73300-0110	TRAY
PART NO.	PACKAGING

MIL-STD-348A, FIG. 328.2	SMPM PLUG INTERFACE
SPECIFICATION	DESCRIPTION

ALL DIMENSIONS ARE REFERENCE UNLESS OTHERWISE SPECIFIED

CHG:JPD ITEM 4
 ID TO 0.0136 ± 0.001
 EC NO: URF2015-0502
 DRW:BBHARADWAJ.D 2015/03/12
 CHKD:BBB 2015/03/12
 APPR:AROBERTSON 2015/03/12

QUALITY SYMBOLS
 ▼=0
 ▽=0

GENERAL TOLERANCES (UNLESS SPECIFIED)

	mm	INCH
4 PLACES ±	---	---
3 PLACES ±	---	---
2 PLACES ±	---	---
1 PLACE ±	---	---

ANGULAR ± 2 °

DRAFT WHERE APPLICABLE
 MUST REMAIN
 WITHIN DIMENSIONS

DIMENSION STYLE
 MM/IN

SCALE
 METRIC

DESIGN UNITS
 METRIC

THIRD ANGLE PROJECTION

DRAWN BY
 JLEE02

DATE
 2011/12/19

CHECKED BY
 SSS

DATE
 2012/08/21

APPROVED BY
 JW IENER

DATE
 2012/08/23

MATERIAL NO.
 SEE TABLE

DOCUMENT NO.
 SD-73300-011

SHEET NO.
 1 OF 1

THIS DRAWING CONTAINS INFORMATION THAT IS PROPRIETARY TO MOLEX INCORPORATED AND SHOULD NOT BE USED WITHOUT WRITTEN PERMISSION

TITLE
 SMPM PLUG FULL DETENT
 PCB VERTICAL SMT/TH
 SMPM-P/PCB EWR-4854

MOLEX MOLEX INCORPORATED