



Chipsmall Limited consists of a professional team with an average of over 10 year of expertise in the distribution of electronic components. Based in Hongkong, we have already established firm and mutual-benefit business relationships with customers from,Europe,America and south Asia,supplying obsolete and hard-to-find components to meet their specific needs.

With the principle of "Quality Parts,Customers Priority,Honest Operation,and Considerate Service",our business mainly focus on the distribution of electronic components. Line cards we deal with include Microchip,ALPS,ROHM,Xilinx,Pulse,ON,Everlight and Freescale. Main products comprise IC,Modules,Potentiometer,IC Socket,Relay,Connector.Our parts cover such applications as commercial,industrial, and automotives areas.

We are looking forward to setting up business relationship with you and hope to provide you with the best service and solution. Let us make a better world for our industry!



Contact us

Tel: +86-755-8981 8866 Fax: +86-755-8427 6832

Email & Skype: info@chipsmall.com Web: www.chipsmall.com

Address: A1208, Overseas Decoration Building, #122 Zhenhua RD., Futian, Shenzhen, China



MATERIALS AND FINISHES

BODY: BERYLLIUM COPPER
 PLATED GOLD (50μ-in MIN)
 OVER NICKEL (50μ-in MIN)

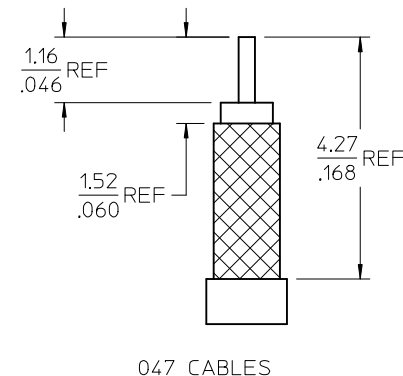
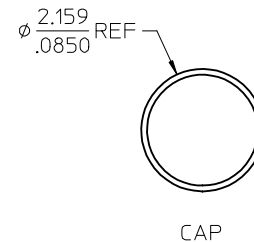
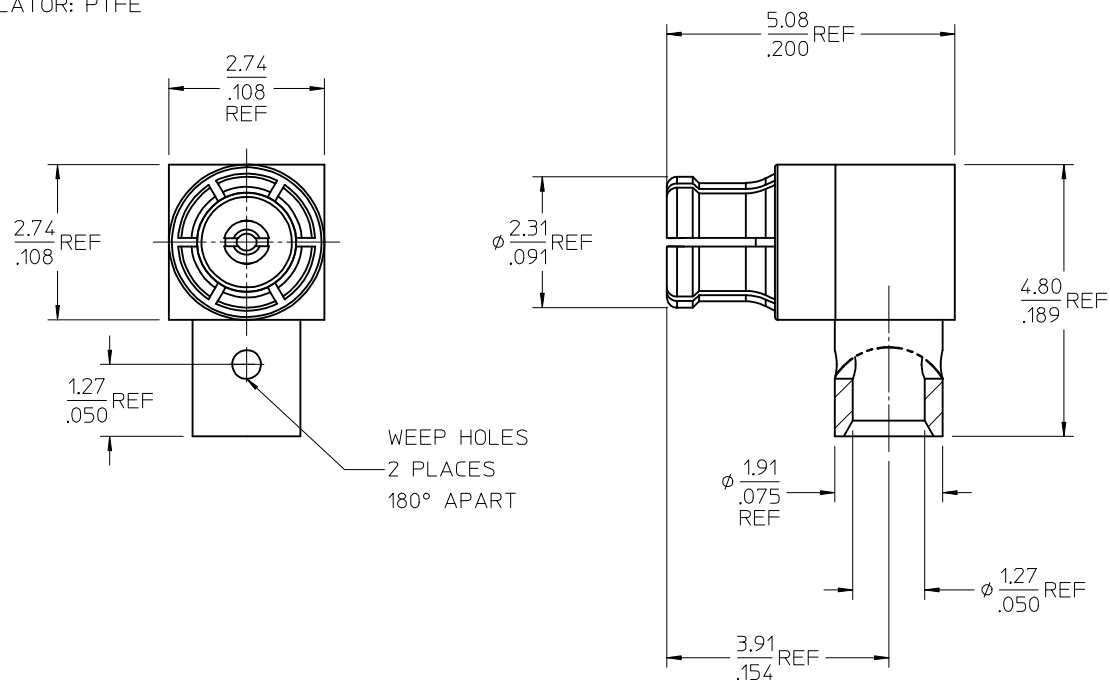
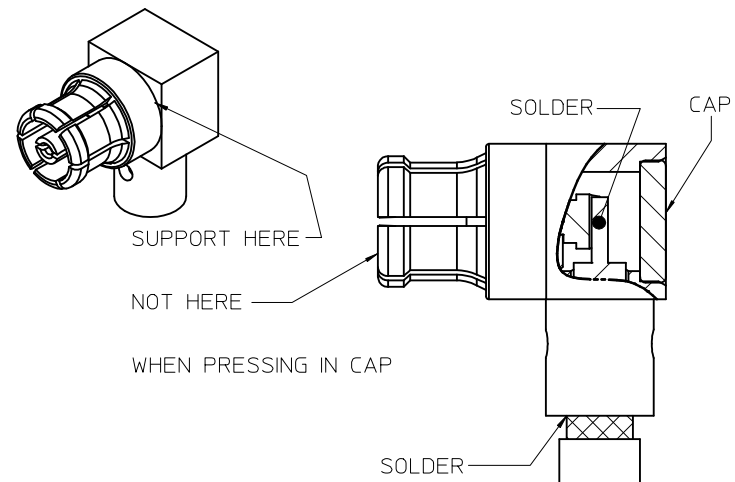
CONTACT: BERYLLIUM COPPER
 PLATED GOLD (50μ-in MIN)
 OVER NICKEL (100μ-in MIN)

CAP: BRASS
 PLATED GOLD (30μ-in MIN)
 OVER NICKEL (100μ-in MIN)

INSULATOR: PTFE

ELECTRICAL

V.S.W.R: 1.30 MAX < 18 GHz
 1.50 MAX 18.0 - 26.5 GHz



73300-0160	TRAY
PART NO.	PACKAGING

PS-89675-3730	PRODUCT SPECIFICATION
MIL-STD-348A, FIG. 328.1	INTERFACE
SPECIFICATION	DESCRIPTION

CHG: ADDED ELECTRICAL SPEC. EC NO: URF2016-0484 DRW: BSHAH 2016/01/25 CHK: SSS 2016/01/25 APPR: AROBERTSON 2016/02/01	QUALITY SYMBOLS
	∇=0 ∇=0 ∇=0
	DESCRIPTION
	REV

GENERAL TOLERANCES (UNLESS SPECIFIED)																		
<table border="1"> <tr> <th></th> <th>mm</th> <th>INCH</th> </tr> <tr> <td>4 PLACES</td> <td>± .005</td> <td>± .0002</td> </tr> <tr> <td>3 PLACES</td> <td>± .005</td> <td>± 0.010</td> </tr> <tr> <td>2 PLACES</td> <td>± 0.25</td> <td>± .010</td> </tr> <tr> <td>1 PLACE</td> <td>± .005</td> <td>± .0002</td> </tr> <tr> <td>0 PLACE</td> <td>± .005</td> <td>± .0002</td> </tr> </table>		mm	INCH	4 PLACES	± .005	± .0002	3 PLACES	± .005	± 0.010	2 PLACES	± 0.25	± .010	1 PLACE	± .005	± .0002	0 PLACE	± .005	± .0002
	mm	INCH																
4 PLACES	± .005	± .0002																
3 PLACES	± .005	± 0.010																
2 PLACES	± 0.25	± .010																
1 PLACE	± .005	± .0002																
0 PLACE	± .005	± .0002																
ANGULAR ± 2°																		
DRAFT WHERE APPLICABLE MUST REMAIN WITHIN DIMENSIONS																		

DIMENSION STYLE	MM/IN
DRAWN BY	JLEE02
DATE	2013/06/24
CHECKED BY	SSS
DATE	2013/06/24
APPROVED BY	JWIENER
DATE	2013/07/23
MATERIAL NO.	SEE TABLE
SIZE	C

SCALE	DESIGN UNITS	THIRD ANGLE PROJECTION
	INCH	
TITLE		
SMPM J RA 047 CABLES		
SOLID CORE CABLE		
EWR-5181, SMPM-JC		
molex		
DOCUMENT NO.	SD-73300-016	SHEET NO.
		1 OF 1
THIS DRAWING CONTAINS INFORMATION THAT IS PROPRIETARY TO MOLEX INCORPORATED AND SHOULD NOT BE USED WITHOUT WRITTEN PERMISSION		