



Chipsmall Limited consists of a professional team with an average of over 10 year of expertise in the distribution of electronic components. Based in Hongkong, we have already established firm and mutual-benefit business relationships with customers from,Europe,America and south Asia,supplying obsolete and hard-to-find components to meet their specific needs.

With the principle of “Quality Parts,Customers Priority,Honest Operation,and Considerate Service”,our business mainly focus on the distribution of electronic components. Line cards we deal with include Microchip,ALPS,ROHM,Xilinx,Pulse,ON,Everlight and Freescale. Main products comprise IC,Modules,Potentiometer,IC Socket,Relay,Connector.Our parts cover such applications as commercial,industrial, and automotives areas.

We are looking forward to setting up business relationship with you and hope to provide you with the best service and solution. Let us make a better world for our industry!



## Contact us

Tel: +86-755-8981 8866 Fax: +86-755-8427 6832

Email & Skype: info@chipsmall.com Web: www.chipsmall.com

Address: A1208, Overseas Decoration Building, #122 Zhenhua RD., Futian, Shenzhen, China



MATERIALS AND FINISHES

BODY BRASS  
PLATED NICKEL

HOUSING BRASS  
PLATED TIN

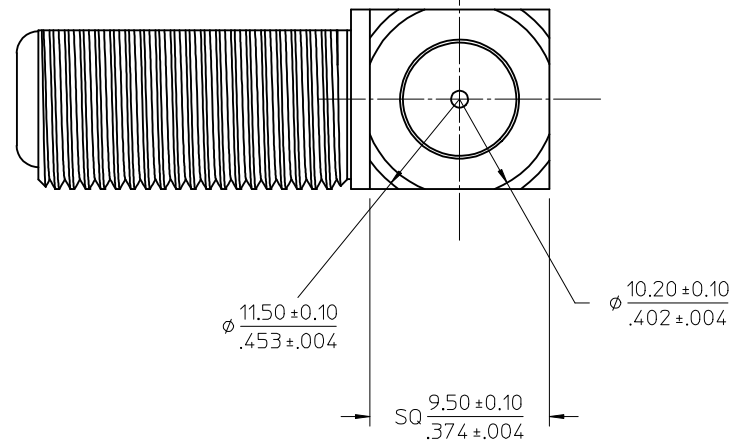
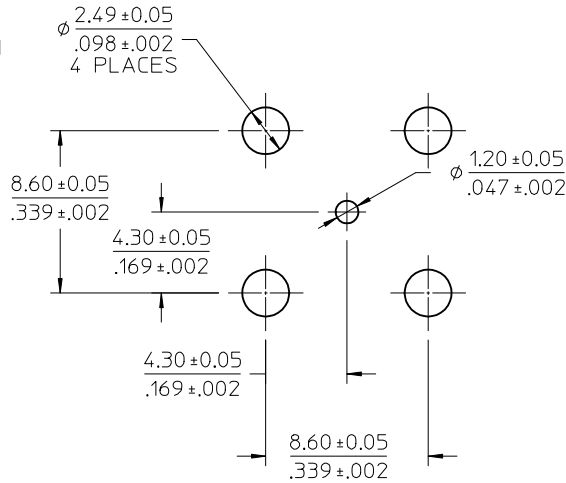
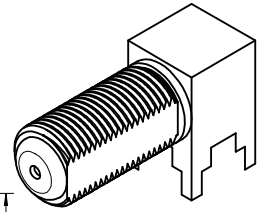
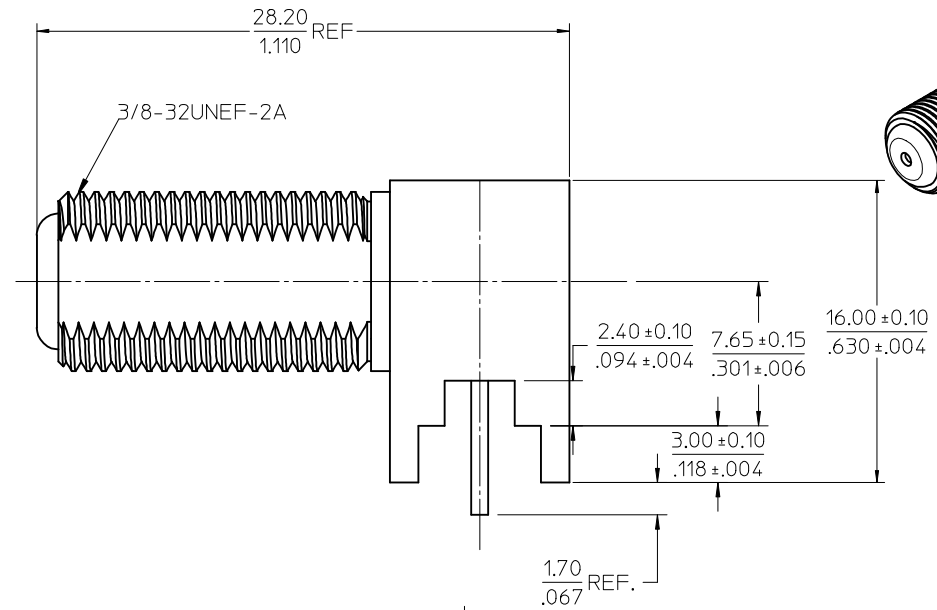
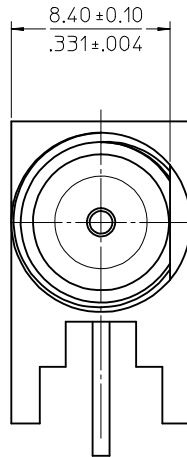
CENTER CONTACT (MATING END)  
PHOSPHOR BRONZE  
PLATED TIN

CENTER CONTACT (PCB END) BRASS.  
PLATED TIN

INSULATOR FRONT P.P./P.E

INSULATOR MIDDLE POM

INSULATOR BOTTOM POM



NOTE:  
WAVE SOLDER ONLY

PART NUMBER: 73330-0030

PCB HOLE CONFIGURATION

PS-89675-368	WAVE SOLDER PROFILE
PS-73598-0080	ELECTRO/MECHANICAL PERFORMANCE
SPECIFICATION	DESCRIPTION

CHG: DIM 18.7 TO 17.7  
EC NO: LRFZ200600024  
DRWR: YEH 2009/07/22  
CHKD: 2009/07/27  
APPR: HUANG 2009/07/27

QUALITY SYMBOLS  
▽=0  
▽=0

GENERAL TOLERANCES (UNLESS SPECIFIED)  
mm INCH  
4 PLACES ± --- ± ---  
3 PLACES ± --- ± ---  
2 PLACES ± --- ± ---  
1 PLACE ± --- ± ---  
ANGULAR ± ---°  
DRAFT WHERE APPLICABLE MUST REMAIN WITHIN DIMENSIONS

DIMENSION STYLE MM/IN  
DRAWN BY DATE  
DARRY 2006/10/27  
CHECKED BY DATE  
JOHNSON 2006/10/27  
APPROVED BY DATE  
MISEN 2006/10/27  
MATERIAL NO.  
73330-0030  
SIZE C

SCALE DESIGN UNITS METRIC  
TITLE F R/A JACK PCB 75 OHM  
F-RA/PCB  
MOLEX INCORPORATED  
DOCUMENT NO. SD-73330-003  
SHEET NO. 1 OF 1  
THIS DRAWING CONTAINS INFORMATION THAT IS PROPRIETARY TO MOLEX INCORPORATED AND SHOULD NOT BE USED WITHOUT WRITTEN PERMISSION