



Chipsmall Limited consists of a professional team with an average of over 10 year of expertise in the distribution of electronic components. Based in Hongkong, we have already established firm and mutual-benefit business relationships with customers from,Europe,America and south Asia,supplying obsolete and hard-to-find components to meet their specific needs.

With the principle of "Quality Parts,Customers Priority,Honest Operation,and Considerate Service",our business mainly focus on the distribution of electronic components. Line cards we deal with include Microchip,ALPS,ROHM,Xilinx,Pulse,ON,Everlight and Freescale. Main products comprise IC,Modules,Potentiometer,IC Socket,Relay,Connector.Our parts cover such applications as commercial,industrial, and automotives areas.

We are looking forward to setting up business relationship with you and hope to provide you with the best service and solution. Let us make a better world for our industry!



Contact us

Tel: +86-755-8981 8866 Fax: +86-755-8427 6832

Email & Skype: info@chipsmall.com Web: www.chipsmall.com

Address: A1208, Overseas Decoration Building, #122 Zhenhua RD., Futian, Shenzhen, China



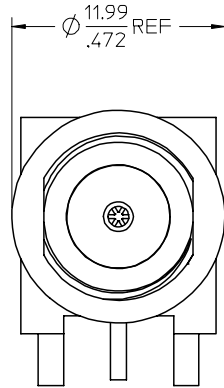
MATERIALS AND FINISHES

BODY, ZINC ALLOY
PLATED MATTE TIN OVER NICKEL

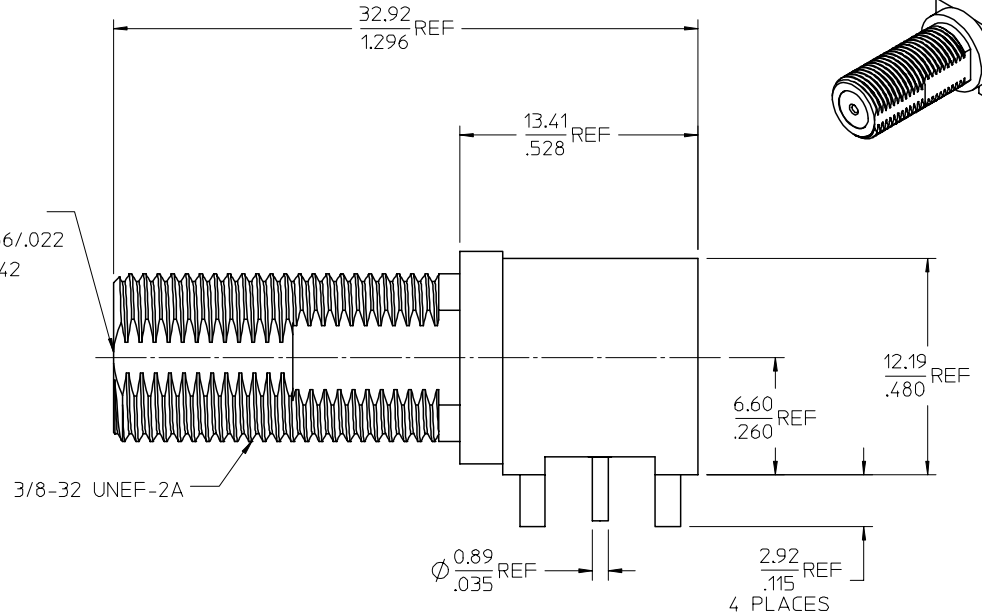
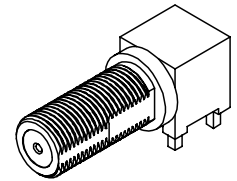
REAR CONTACT BRASS OR PHOSPHOR BRONZE
PLATED MATTE TIN OVER NICKEL

FRONT CONTACT BERYLLIUM COPPER
PLATED GOLD

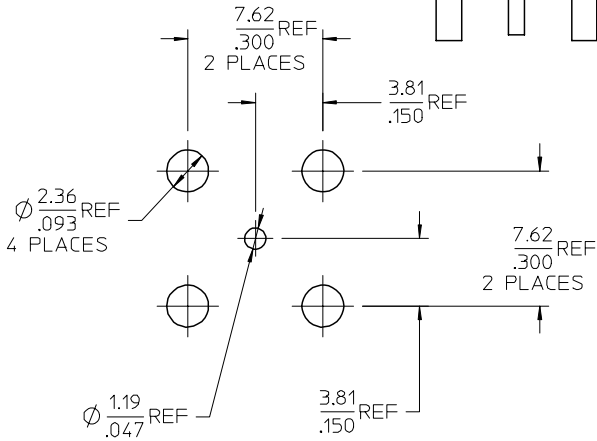
INSULATOR TEFLON



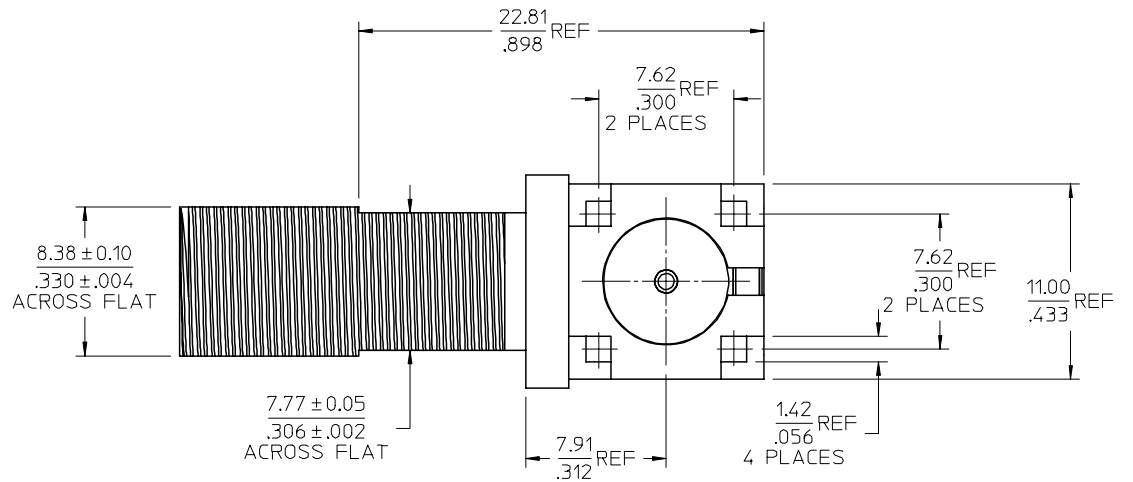
F JACK
INTERFACE
ACCEPTS $\phi 0.561.022$
THRU $\phi 1.071.042$



3/8-32 UNEF-2A



RECOMMENDED PCB LAYOUT



PART # 73330-0180

CHG: REDREW TO
SHOW REVISED
COMPONENTS
A1

EC NO: URF2006-0268
DRAWN: FLAHERTY 2005/12/16
CHKD: SHAH 2005/12/16
APPR: JIMENER 2005/12/16

QUALITY SYMBOLS
 $\nabla=0$
 $\nabla=0$
 GENERAL TOLERANCES (UNLESS SPECIFIED)

	mm	INCH
4 PLACES	± .15	± .005
3 PLACES	± .10	± .003
2 PLACES	± .075	± .002
1 PLACE	± .05	± .001

 ANGULAR ± 2°
 DRAFT WHERE APPLICABLE
 MUST REMAIN
 WITHIN DIMENSIONS

DIMENSION STYLE
 MM/IN
 DRAWN BY JOHN
 DATE 2005/08/09
 CHECKED BY KERRIE
 DATE 2005/08/09
 APPROVED BY MISEN
 DATE 2005/08/09
 MATERIAL NO.
 733300180

SCALE
 DESIGN UNITS
 METRIC
 THIRD ANGLE PROJECTION
 F R/A .75 OHM
 PCB TYPE, EWR-2968
 F-RA/PCB
 MOLEX INCORPORATED
 DOCUMENT NO.
 SD-73330-018
 SHEET NO.
 1 OF 1