



Chipsmall Limited consists of a professional team with an average of over 10 year of expertise in the distribution of electronic components. Based in Hongkong, we have already established firm and mutual-benefit business relationships with customers from,Europe,America and south Asia,supplying obsolete and hard-to-find components to meet their specific needs.

With the principle of “Quality Parts,Customers Priority,Honest Operation,and Considerate Service”,our business mainly focus on the distribution of electronic components. Line cards we deal with include Microchip,ALPS,ROHM,Xilinx,Pulse,ON,Everlight and Freescale. Main products comprise IC,Modules,Potentiometer,IC Socket,Relay,Connector.Our parts cover such applications as commercial,industrial, and automotives areas.

We are looking forward to setting up business relationship with you and hope to provide you with the best service and solution. Let us make a better world for our industry!



Contact us

Tel: +86-755-8981 8866 Fax: +86-755-8427 6832

Email & Skype: info@chipsmall.com Web: www.chipsmall.com

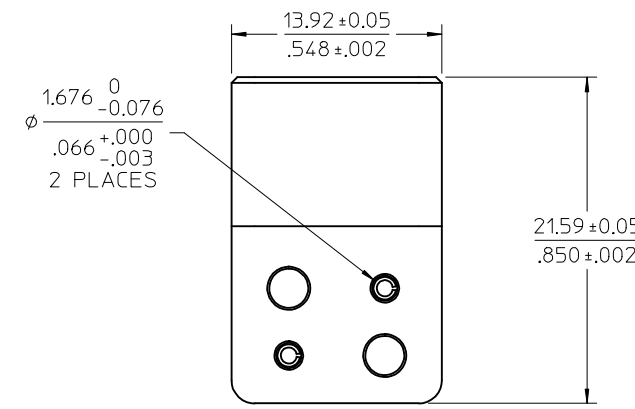
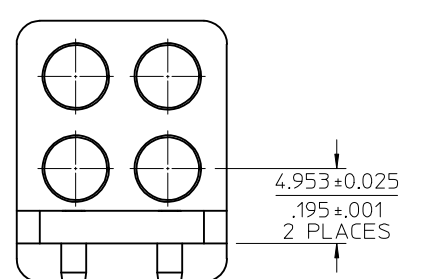
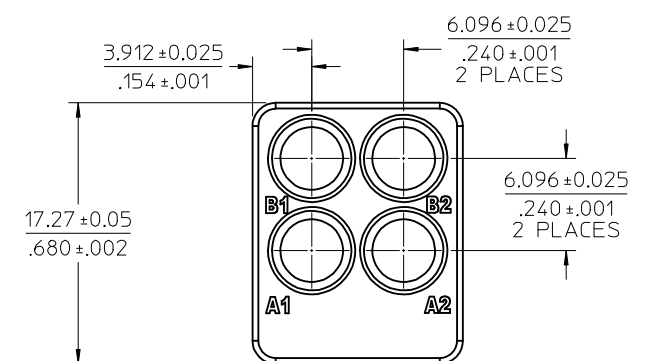
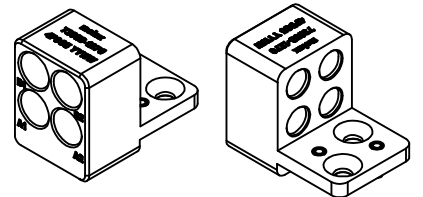
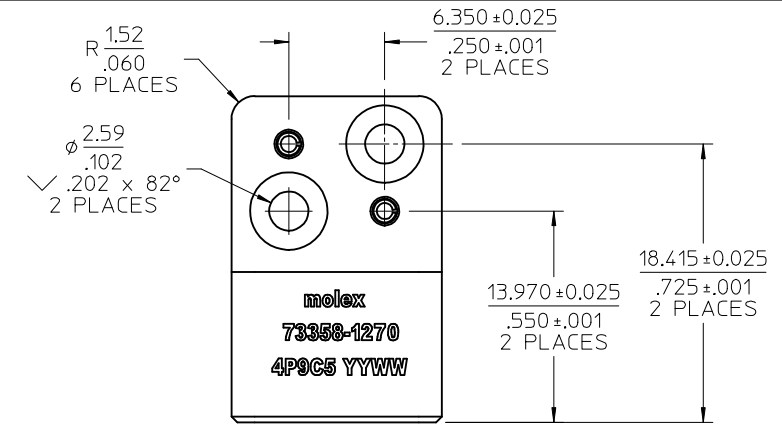
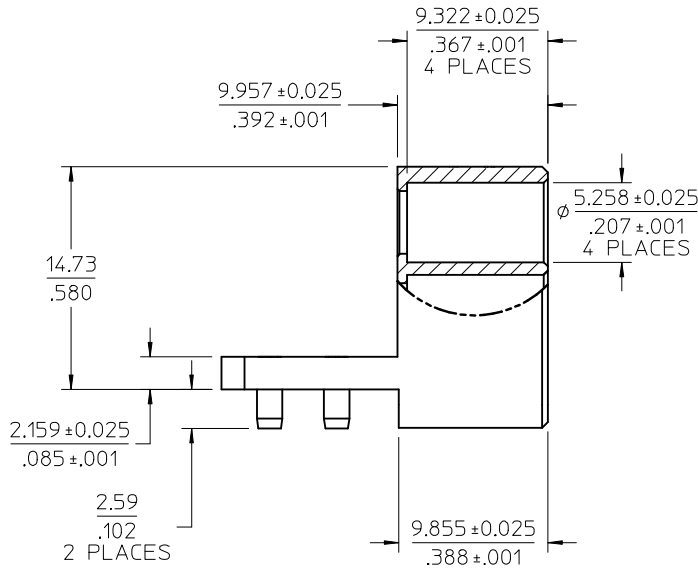
Address: A1208, Overseas Decoration Building, #122 Zhenhua RD., Futian, Shenzhen, China



MATERIALS AND FINISHES

HOUSING: ALUMINUM 6061
PLATED ELECTROLESS NICKEL

ALIGNMENT PINS: STAINLESS STEEL
PASSIVATED



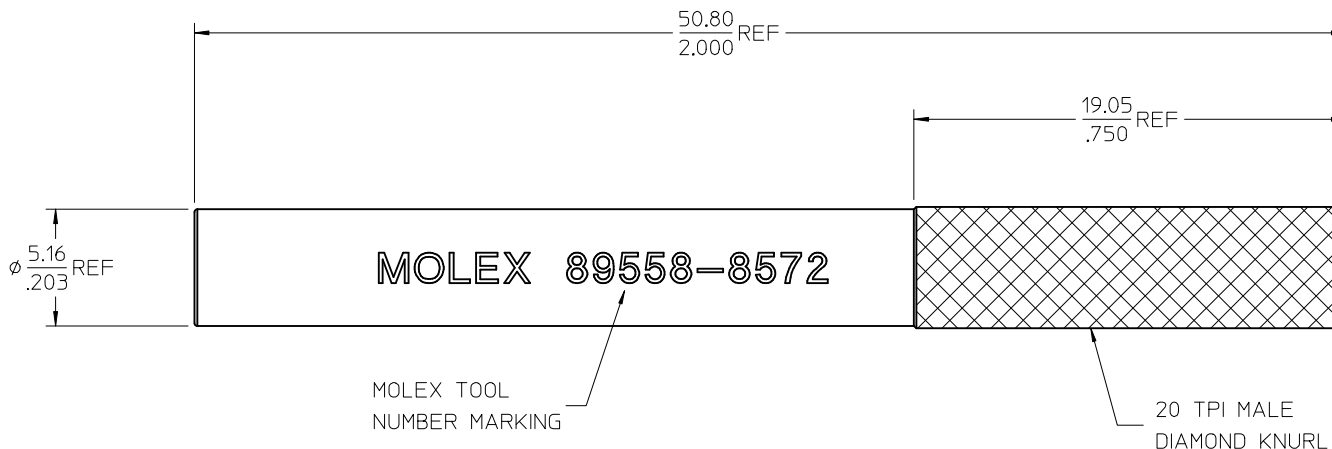
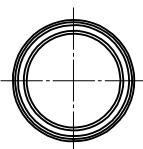
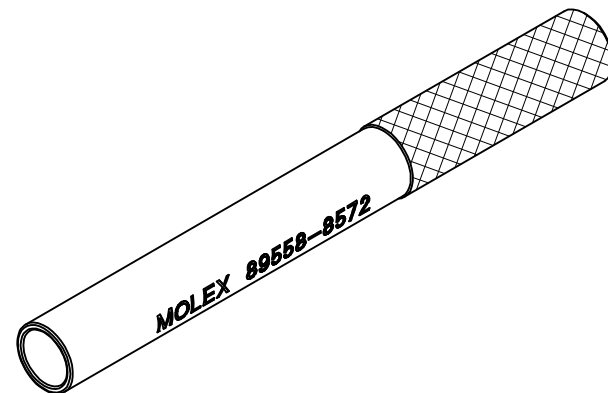
PART # 73358-1270
SEE PS-89675-470 FOR PCB LAYOUT & PLACEMENT

ANSI/VITA 67.1	NATIONAL STANDARD
PS-89675-470	PRODUCT SPECIFICATION
SPECIFICATION	DESCRIPTION

CHG: UPDATE VIEWS TO SHOW CHANGES TO BLOCK. EC NO: URF2016-0744 DRW:BSHAH 2016/05/02 CHKD:SSS 2016/05/02 APPR:AROBERTSON 2016/05/04 B1	QUALITY SYMBOLS ∇=0 ∇=0 ∇=0	GENERAL TOLERANCES (UNLESS SPECIFIED) 4 PLACES ± --- ± --- 3 PLACES ± --- ± 0.005 2 PLACES ± 0.13 ± 0.010 1 PLACE ± 0.25 ± --- 0 PLACE ± --- ± --- ANGULAR ± 2° DRAFT WHERE APPLICABLE MUST REMAIN WITHIN DIMENSIONS	DIMENSION STYLE MM/IN DRAWN BY DATE AROBERTSON 2014/01/25 CHECKED BY DATE SSS 2014/01/25 APPROVED BY DATE WSP INK 2014/02/06 MATERIAL NO. 733581270	SCALE INCH DESIGN UNITS INCH THIRD ANGLE PROJECTION	TITLE VITA 67.1 4 PORT MODULE FOR DAUGHTER CARD SMPM-VITA, EWR-5319 molex DOCUMENT NO. SD-73358-127	SHEET NO. 1 OF 1
	THIS DRAWING CONTAINS INFORMATION THAT IS PROPRIETARY TO MOLEX INCORPORATED AND SHOULD NOT BE USED WITHOUT WRITTEN PERMISSION					
	SIZE C					
	DRAWING INFORMATION					

MATERIAL AND FINISHES

REMOVAL TOOL: STAINLESS STEEL,
PASSIVATED



EXTRACTION TOOL FOR
REMOVING SMPM JACKS
FROM VITA 67 BLOCKS

PART # 89558-8572

CHG: UPDATED DRAWING EC NO: URF2017-0318 DRAWN: LMEIER 2017/03/06 CHKD: SSS 2017/03/06 APPR: AROBERTSON 2017/03/07 REV: A1	QUALITY SYMBOLS	GENERAL TOLERANCES (UNLESS SPECIFIED)	DIMENSION STYLE	SCALE	DESIGN UNITS	THIRD ANGLE PROJECTION
	▽=0	mm INCH	MM/IN	INCH	INCH	
	▽=0	4 PLACES ± --- ± ---	DRAWN BY DATE	TITLE		
	▽=0	3 PLACES ± --- ± ---	LMEIER 2017/02/24	SMPM JACK VITA EXTRACTION TOOL EWR-10029-B		
	2 PLACES ± --- ± ---	CHECKED BY DATE	molex			
	1 PLACE ± --- ± ---	SSS 2017/02/27	DOCUMENT NO. SD-89558-857			
	0 PLACE ± --- ± ---	APPROVED BY DATE	SHEET NO. 1 OF 1			
		AROBERTSON 2017/02/28	THIS DRAWING CONTAINS INFORMATION THAT IS PROPRIETARY TO MOLEX INCORPORATED AND SHOULD NOT BE USED WITHOUT WRITTEN PERMISSION			
		MATERIAL NO. 895588572				
		ANGULAR ± 2 °				
		DRAFT WHERE APPLICABLE MUST REMAIN WITHIN DIMENSIONS				