



Chipsmall Limited consists of a professional team with an average of over 10 year of expertise in the distribution of electronic components. Based in Hongkong, we have already established firm and mutual-benefit business relationships with customers from,Europe,America and south Asia,supplying obsolete and hard-to-find components to meet their specific needs.

With the principle of “Quality Parts,Customers Priority,Honest Operation,and Considerate Service”,our business mainly focus on the distribution of electronic components. Line cards we deal with include Microchip,ALPS,ROHM,Xilinx,Pulse,ON,Everlight and Freescale. Main products comprise IC,Modules,Potentiometer,IC Socket,Relay,Connector.Our parts cover such applications as commercial,industrial, and automotives areas.

We are looking forward to setting up business relationship with you and hope to provide you with the best service and solution. Let us make a better world for our industry!



Contact us

Tel: +86-755-8981 8866 Fax: +86-755-8427 6832

Email & Skype: info@chipsmall.com Web: www.chipsmall.com

Address: A1208, Overseas Decoration Building, #122 Zhenhua RD., Futian, Shenzhen, China



MATERIALS AND FINISHES

BLOCK: ALUMINUM 6061
PLATED ELECTROLESS NICKEL

SMP DETENT SHROUD: STAINLESS STEEL
PASSIVATED

ALIGNMENT PINS: STAINLESS STEEL
PASSIVATED

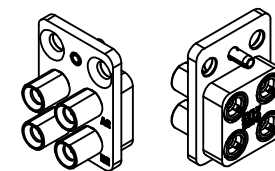
BODY SMPM: STAINLESS STEEL
PLATED GOLD PER MIL-G-45204 TYPE II,
GRADE C, CLASS 1 (50 μ-in MIN
OVER NICKEL 50 μ-in MIN

INSULATORS: PTFE

CONTACT: BERYLLIUM COPPER
PLATED GOLD PER MIL-G-45204 TYPE II,
GRADE C, CLASS 1 (50 μ-in MIN
OVER NICKEL 50 μ-in MIN

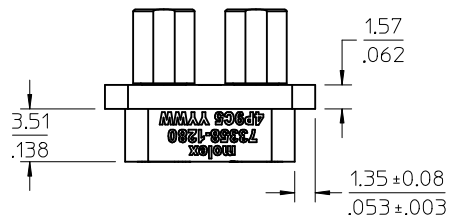
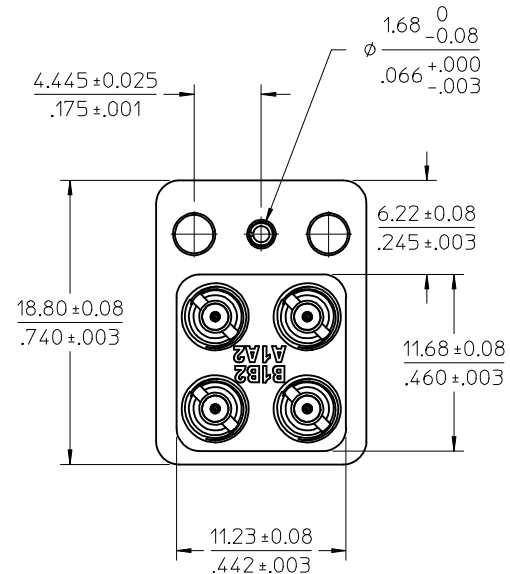
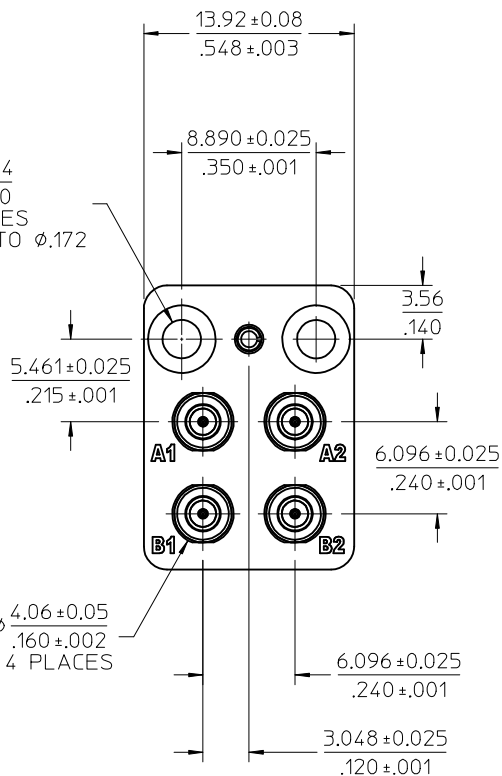
SMPM PLUG
SMOOTH BORE
CATCHERS MITT
4 PLACES

SMPM PLUG
FULL DETENT
4 PLACES



3.18
.125

∅ 2.54
.100
2 PLACES
✓ 100° TO ∅.172



PART # 73358-1280

SEE PS-89675-470 FOR PCB LAYOUT & PLACEMENT

ANSI/VITA 67.1	NATIONAL STANDARD
PS-89675-470	PRODUCT SPECIFICATION
MIL-STD-348A, FIG. 328.2	INTERFACE SMPM P FD
SPECIFICATION	DESCRIPTION

CHG: SHROUD BORE CHANGED FROM ∅.087 TO ∅.0875 EC NO: URF2017-0372 DRAWN:SWAM102 2017/05/03 CHKD:BBB 2017/05/03 APPR:AROBERTSON 2017/05/12 REV B	QUALITY SYMBOLS	GENERAL TOLERANCES (UNLESS SPECIFIED)	DIMENSION STYLE	SCALE	DESIGN UNITS	THIRD ANGLE PROJECTION
	∇=0	mm INCH	MM/IN	INCH	INCH	
	∇=0	4 PLACES ± --- ± ---	DRAWN BY DATE	TITLE	VITA 67.1 4 PORT MODULE MIDPLANE SMPM PLUG FD/SB SMPM-VITA, EWR-10029-B	
	∇=0	3 PLACES ± --- ± ---	CHECKED BY DATE	molex		
		2 PLACES ± --- ± ---	APPROVED BY DATE	MATERIAL NO.	DOCUMENT NO.	SHEET NO.
		1 PLACE ± --- ± ---	WSP INK 2014/02/06	733581280	SD-73358-128	1 OF 1
		0 PLACE ± --- ± ---	DRAFT WHERE APPLICABLE MUST REMAIN WITHIN DIMENSIONS			
		ANGULAR ± 2 °	THIS DRAWING CONTAINS INFORMATION THAT IS PROPRIETARY TO MOLEX INCORPORATED AND SHOULD NOT BE USED WITHOUT WRITTEN PERMISSION			