



Chipsmall Limited consists of a professional team with an average of over 10 year of expertise in the distribution of electronic components. Based in Hongkong, we have already established firm and mutual-benefit business relationships with customers from,Europe,America and south Asia,supplying obsolete and hard-to-find components to meet their specific needs.

With the principle of “Quality Parts,Customers Priority,Honest Operation,and Considerate Service”,our business mainly focus on the distribution of electronic components. Line cards we deal with include Microchip,ALPS,ROHM,Xilinx,Pulse,ON,Everlight and Freescale. Main products comprise IC,Modules,Potentiometer,IC Socket,Relay,Connector.Our parts cover such applications as commercial,industrial, and automotives areas.

We are looking forward to setting up business relationship with you and hope to provide you with the best service and solution. Let us make a better world for our industry!



Contact us

Tel: +86-755-8981 8866 Fax: +86-755-8427 6832

Email & Skype: info@chipsmall.com Web: www.chipsmall.com

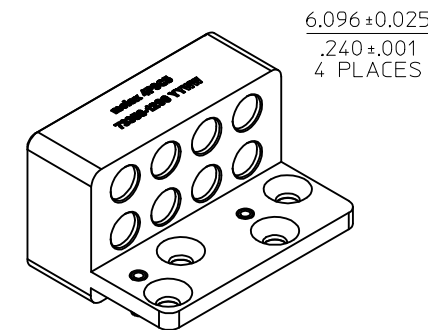
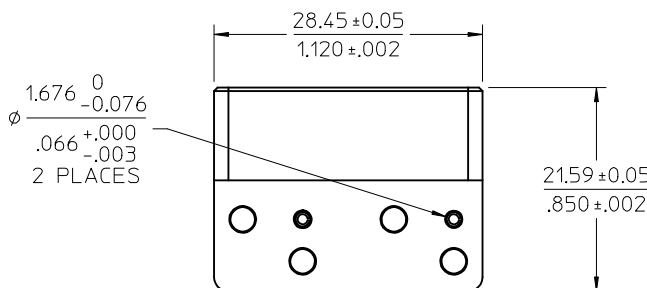
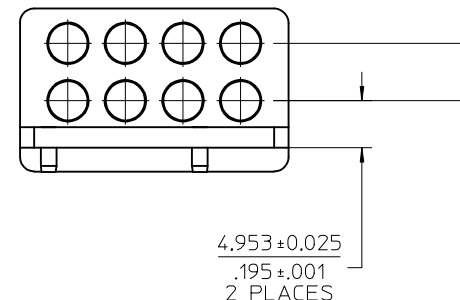
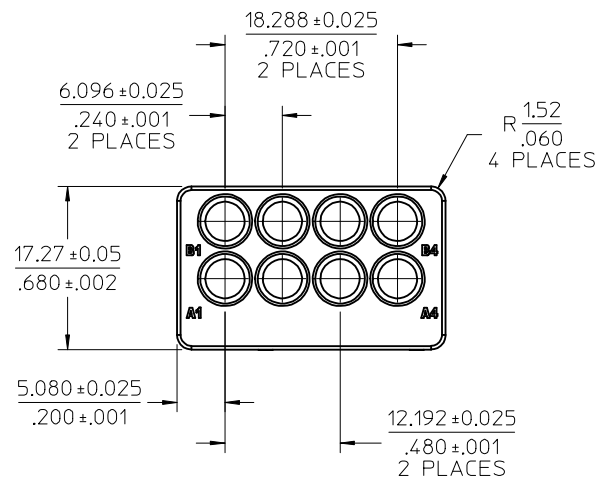
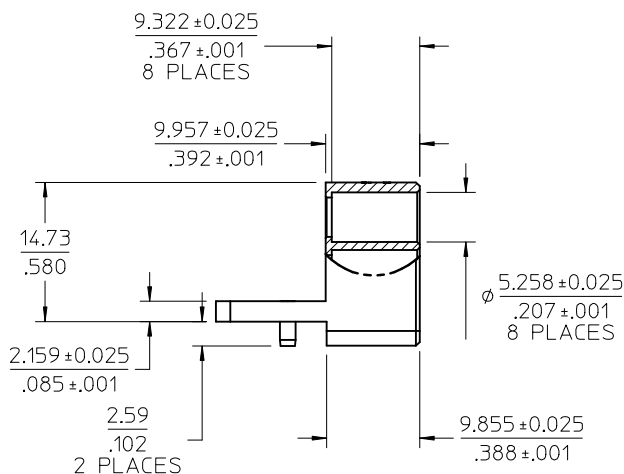
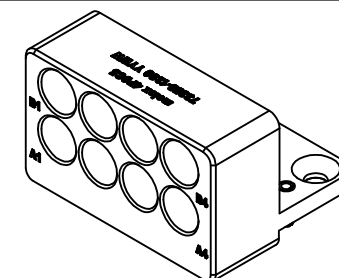
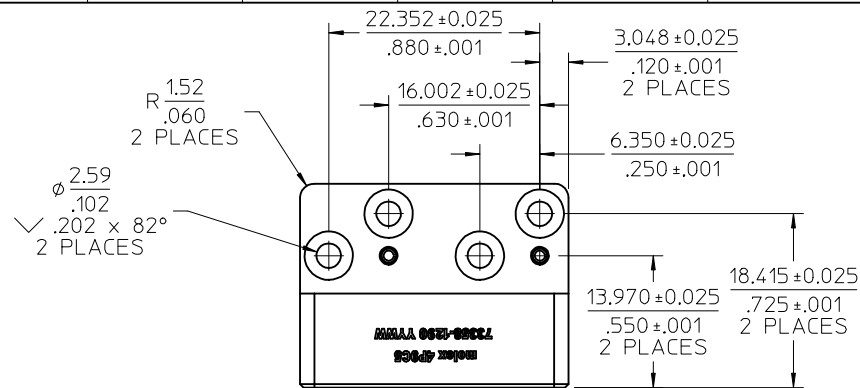
Address: A1208, Overseas Decoration Building, #122 Zhenhua RD., Futian, Shenzhen, China



MATERIALS AND FINISHES

HOUSING: ALUMINUM 6061
PLATED ELECTROLESS NICKEL

ALIGNMENT PINS: STAINLESS STEEL
PASSIVATED



PART # 73358-1290

SEE PS-89675-470 FOR PCB LAYOUT & PLACEMENT

ANSI/VITA 67.2	NATIONAL STANDARD
PS-89675-470	PRODUCT SPECIFICATION
SPECIFICATION	DESCRIPTION

CHG: UPDATE VIEWS TO SHOW CHANGES TO BLOCK. EC NO: URF2016-0744 DRWN:BSHAH 2016/05/02 CHKD:SSS 2016/05/02 APPR:AROBERTSON 2016/05/04 B1	
--	--

QUALITY SYMBOLS $\nabla = 0$ $\nabla = 0$ $\nabla = 0$	GENERAL TOLERANCES (UNLESS SPECIFIED) 4 PLACES ± --- 3 PLACES ± --- 2 PLACES ± --- 1 PLACE ± --- 0 PLACE ± --- ANGULAR ± 2° DRAFT WHERE APPLICABLE MUST REMAIN WITHIN DIMENSIONS
---	---

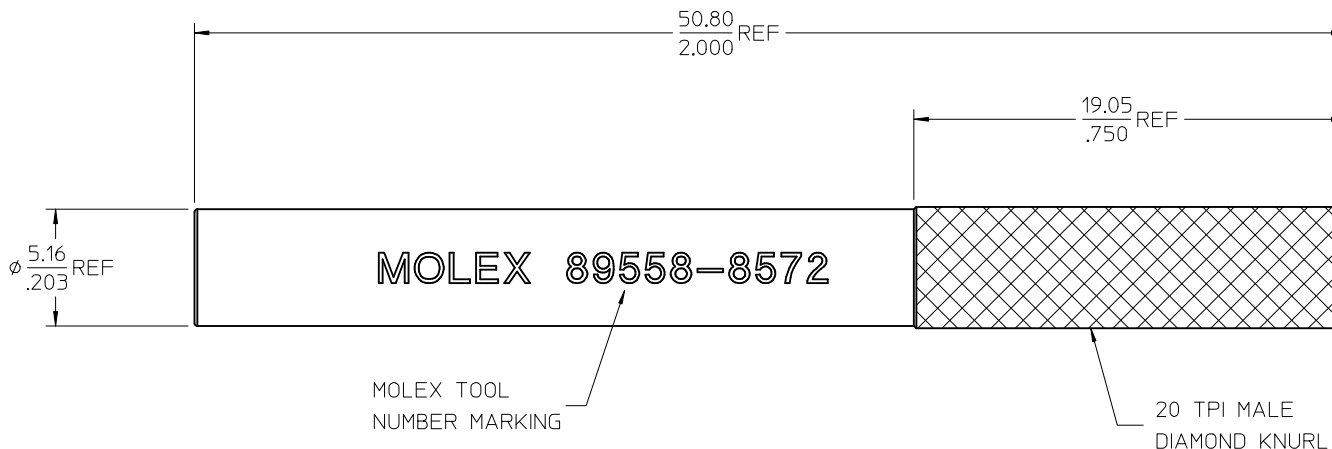
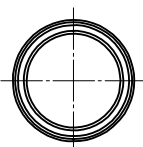
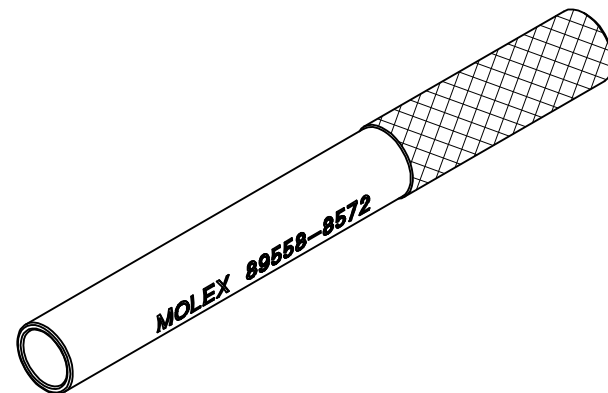
DIMENSION STYLE MM/IN DRAWN BY: AROBERTSON CHECKED BY: SSS APPROVED BY: WSP INK MATERIAL NO.: 733581290	DATE: 2014/01/25 DATE: 2014/01/25 DATE: 2014/02/06
--	--

SCALE: INCH DESIGN UNITS: INCH THIRD ANGLE PROJECTION	TITLE: VITA 67.2 8 PORT MODULE FOR DAUGHTER CARD SMPM-VITA, EWR-5319 DOCUMENT NO.: SD-73358-129 SHEET NO.: 1 OF 1
---	---

THIS DRAWING CONTAINS INFORMATION THAT IS PROPRIETARY TO MOLEX INCORPORATED AND SHOULD NOT BE USED WITHOUT WRITTEN PERMISSION	
---	--

MATERIAL AND FINISHES

REMOVAL TOOL: STAINLESS STEEL,
PASSIVATED



MOLEX TOOL
NUMBER MARKING

20 TPI MALE
DIAMOND KNURL

EXTRACTION TOOL FOR
REMOVING SMPM JACKS
FROM VITA 67 BLOCKS

PART # 89558-8572

CHG: UPDATED DRAWING EC NO: URF2017-0318 DRAWN: LMEIER 2017/03/06 CHKD: SSS 2017/03/06 APPR: AROBERTSON 2017/03/07 REV: A1	QUALITY SYMBOLS	GENERAL TOLERANCES (UNLESS SPECIFIED)	DIMENSION STYLE	SCALE	DESIGN UNITS	THIRD ANGLE PROJECTION
	▽=0	mm INCH	MM/IN	INCH	INCH	
	▽=0	4 PLACES ± --- ± ---	DRAWN BY DATE	TITLE		
	▽=0	3 PLACES ± --- ± ---	LMEIER 2017/02/24	SMPM JACK VITA EXTRACTION TOOL		
		2 PLACES ± --- ± ---	CHECKED BY DATE	EWR-10029-B		
		1 PLACE ± --- ± ---	SSS 2017/02/27	molex		
		0 PLACE ± --- ± ---	APPROVED BY DATE	DOCUMENT NO.		
		ANGULAR ± 2 °	AROBERTSON 2017/02/28	SD-89558-857		
		DRAFT WHERE APPLICABLE MUST REMAIN WITHIN DIMENSIONS	MATERIAL NO.	SHEET NO.		
			895588572	1 OF 1		
			SIZE C	THIS DRAWING CONTAINS INFORMATION THAT IS PROPRIETARY TO MOLEX INCORPORATED AND SHOULD NOT BE USED WITHOUT WRITTEN PERMISSION		