



Chipsmall Limited consists of a professional team with an average of over 10 year of expertise in the distribution of electronic components. Based in Hongkong, we have already established firm and mutual-benefit business relationships with customers from,Europe,America and south Asia,supplying obsolete and hard-to-find components to meet their specific needs.

With the principle of “Quality Parts,Customers Priority,Honest Operation,and Considerate Service”,our business mainly focus on the distribution of electronic components. Line cards we deal with include Microchip,ALPS,ROHM,Xilinx,Pulse,ON,Everlight and Freescale. Main products comprise IC,Modules,Potentiometer,IC Socket,Relay,Connector.Our parts cover such applications as commercial,industrial, and automotives areas.

We are looking forward to setting up business relationship with you and hope to provide you with the best service and solution. Let us make a better world for our industry!



Contact us

Tel: +86-755-8981 8866 Fax: +86-755-8427 6832

Email & Skype: info@chipsmall.com Web: www.chipsmall.com

Address: A1208, Overseas Decoration Building, #122 Zhenhua RD., Futian, Shenzhen, China



MATERIALS AND FINISHES

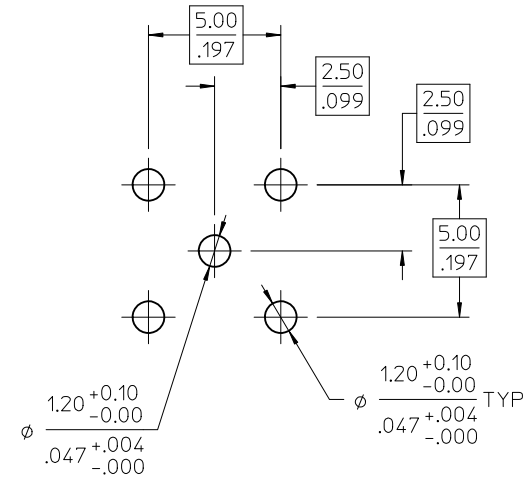
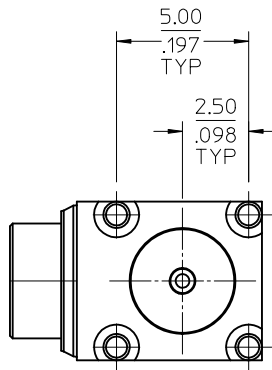
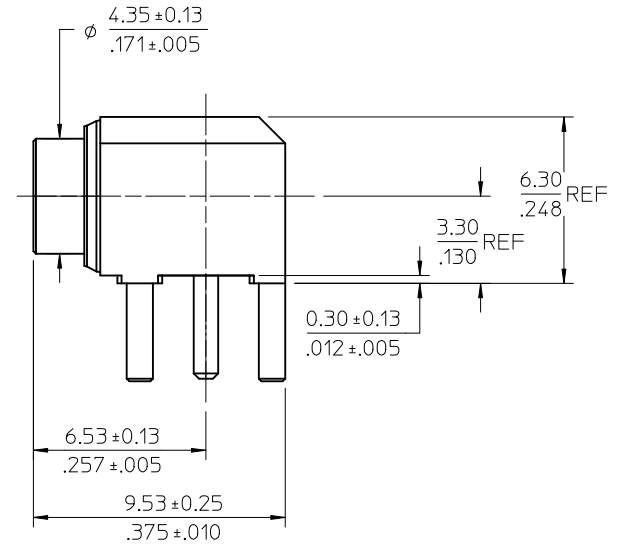
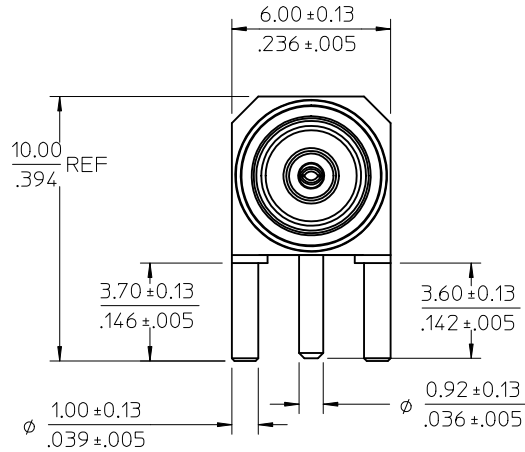
(73366-0030/73366-0031)
FRONT BODY BRASS
PLATED NICKEL

(73366-0032)
FRONT BODY BRASS
PLATED GOLD

CENTER CONTACT BERYLLIUM COPPER
PLATED GOLD

INSULATOR TEFLON

HOUSING ZINC ALLOY
PLATED TIN

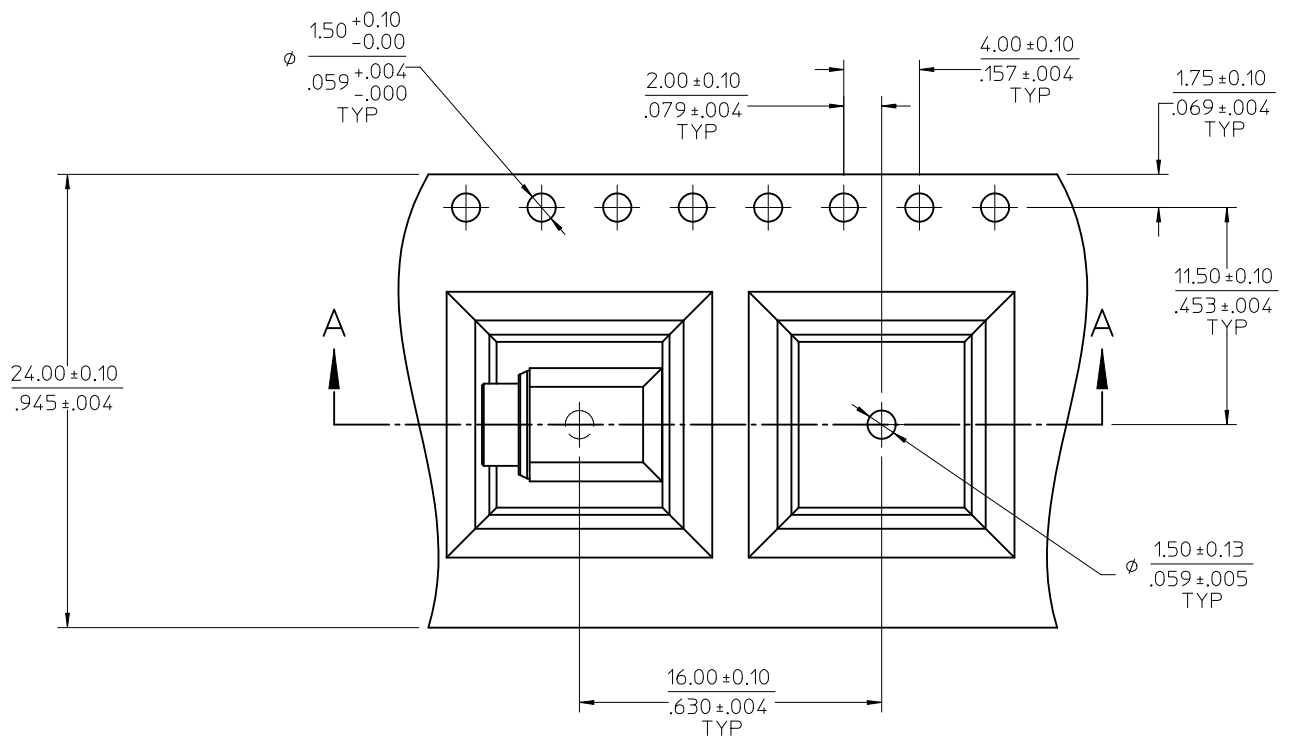


RECOMMENDED MOUNTING PATTERN

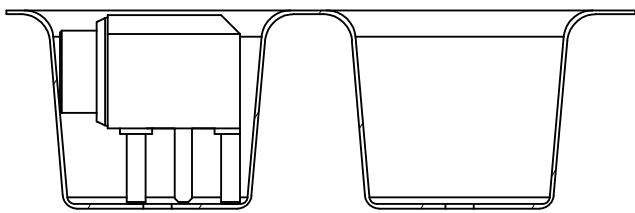
73366-0035	73366-0030 PACKED ONE PER BAG
73366-0034	73366-0031 SMALL TRAY
73366-0033	73366-0030 SMALL TRAY
73366-0032	TAPE & REEL
73366-0031	GENERAL
73366-0030	GENERAL
PART NO.	PACKAGING DESCRIPTION

PS-89675-1830	PRODUCT SPECIFICATION
SPECIFICATION	DESCRIPTION

CHG: ADD -0035 PS WAS 73598-0132 EC NO: URF2011-0749 DRWN: WIENER 2011/06/14 CHKD: SSS 2011/06/14 APPR: WIENER 2011/06/14 C6	QUALITY SYMBOLS ▽=0 ▽=0	GENERAL TOLERANCES (UNLESS SPECIFIED) mm INCH 4 PLACES ± --- ± --- 3 PLACES ± --- ± --- 2 PLACES ± --- ± --- 1 PLACE ± --- ± --- ANGULAR ± 2°	DIMENSION STYLE MM/IN DRAWN BY DATE LYNN 2000/02/10 CHECKED BY DATE PENNY 2000/02/10 APPROVED BY DATE MI SEN 2000/02/10	SCALE DESIGN UNITS METRIC THIRD ANGLE PROJECTION	TITLE MCX JACK R/A PCB 50 OHM MCX-J/RA/PCB	MATERIAL NO. SEE NOTES	DOCUMENT NO. SD-73366-003	SHEET NO. 1 OF 3
		DRAFT WHERE APPLICABLE MUST REMAIN WITHIN DIMENSIONS						

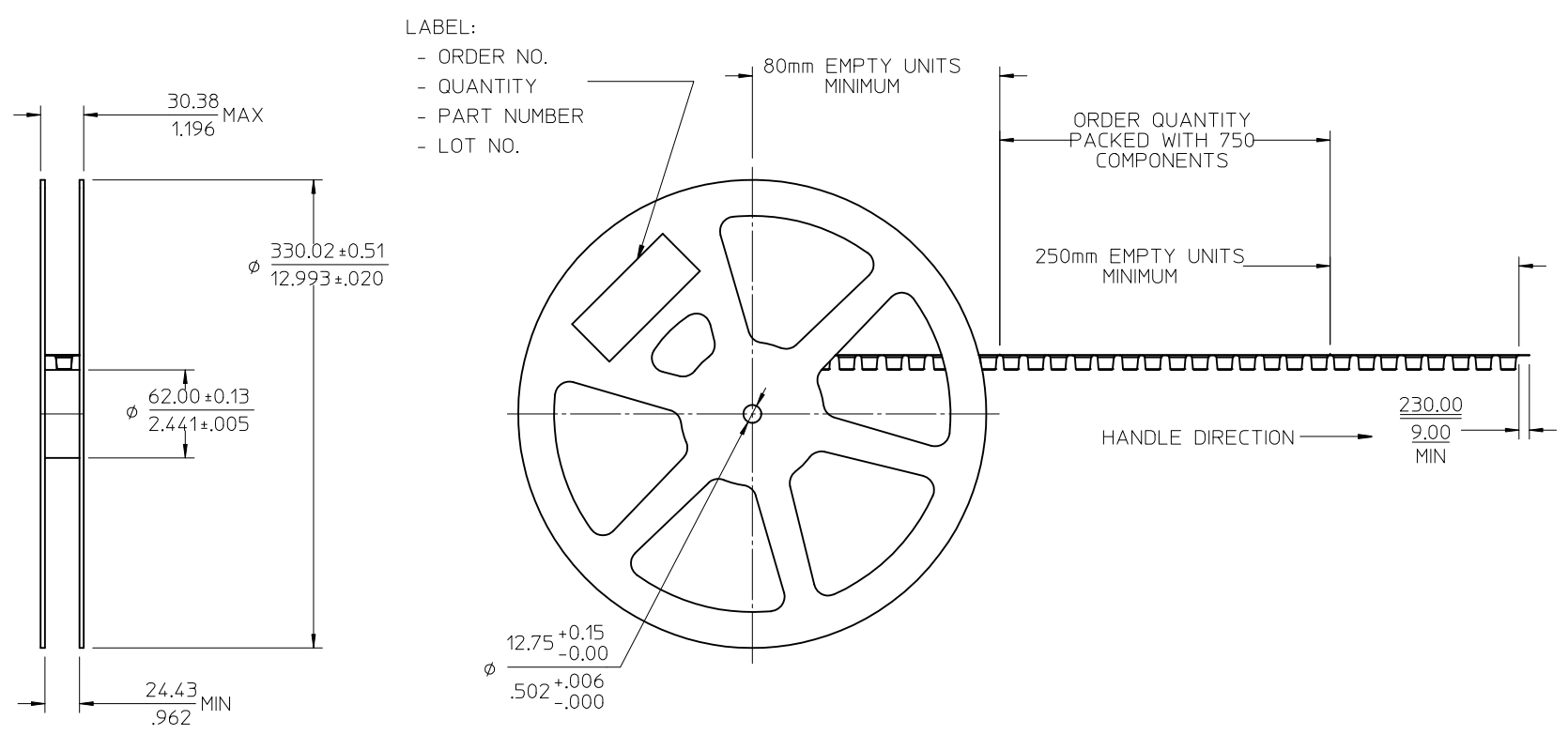


NOTE:
1. 10 PITCHES CUMULATIVE TOLERANCE ±0.20(.008)



SECTION A-A

CHG: SEE SHEET 1 EC NO: URF2011-0749 DRWN: JWIENER CHKD: SSS APPR: JWIENER REV: C6	DESCRIPTION 2011/06/14 2011/06/14 2011/06/14	QUALITY SYMBOLS	GENERAL TOLERANCES (UNLESS SPECIFIED) mm INCH 4 PLACES ± .010 ± .0004 3 PLACES ± .015 ± .0005 2 PLACES ± .020 ± .0008 1 PLACE ± .025 ± .0010 ANGULAR ± 2°	DIMENSION STYLE	SCALE	DESIGN UNITS	THIRD ANGLE PROJECTION
		mm		MM/IN	METRIC	DRAWN BY: LYNN DATE: 2000/02/10 CHECKED BY: PENNY DATE: 2000/02/10 APPROVED BY: MISEN DATE: 2000/02/10	TITLE: MCX JACK R/A PCB 50 OHM MCX-J/RA/PCB
		DRAFT WHERE APPLICABLE MUST REMAIN WITHIN DIMENSIONS		MATERIAL NO. SEE SHEET 1 SIZE C	MOLEX INCORPORATED DOCUMENT NO. SD-73366-003	SHEET NO. 2 OF 3	
		THIS DRAWING CONTAINS INFORMATION THAT IS PROPRIETARY TO MOLEX INCORPORATED AND SHOULD NOT BE USED WITHOUT WRITTEN PERMISSION					



CHG: SEE SHEET 1 EC NO: URF2011-0749 DRWN: WIENER 2011/06/14 CHKD: SSS 2011/06/14 APPR: WIENER 2011/06/14	QUALITY SYMBOLS ▽=0 ▽=0	GENERAL TOLERANCES (UNLESS SPECIFIED)		DIMENSION STYLE MM/IN		SCALE	DESIGN UNITS METRIC	THIRD ANGLE PROJECTION		
		4 PLACES	± ---	± ---	DRAWN BY LYNN	DATE 2000/02/10	TITLE MCX JACK R/A PCB 50 OHM MCX-J/RA/PCB			
		3 PLACES	± ---	± ---	CHECKED BY PENNY	DATE 2000/02/10	MOLEX INCORPORATED			
		2 PLACES	± ---	± ---	APPROVED BY MISEN	DATE 2000/02/10				
1 PLACE	± ---	± ---	ANGULAR ± 2 °		MATERIAL NO. SEE SHEET 1	DOCUMENT NO. SD-73366-003	SHEET NO. 3 OF 3			
DRAFT WHERE APPLICABLE MUST REMAIN WITHIN DIMENSIONS		SIZE C		THIS DRAWING CONTAINS INFORMATION THAT IS PROPRIETARY TO MOLEX INCORPORATED AND SHOULD NOT BE USED WITHOUT WRITTEN PERMISSION						