



Chipsmall Limited consists of a professional team with an average of over 10 year of expertise in the distribution of electronic components. Based in Hongkong, we have already established firm and mutual-benefit business relationships with customers from,Europe,America and south Asia,supplying obsolete and hard-to-find components to meet their specific needs.

With the principle of “Quality Parts,Customers Priority,Honest Operation,and Considerate Service”,our business mainly focus on the distribution of electronic components. Line cards we deal with include Microchip,ALPS,ROHM,Xilinx,Pulse,ON,Everlight and Freescale. Main products comprise IC,Modules,Potentiometer,IC Socket,Relay,Connector.Our parts cover such applications as commercial,industrial, and automotives areas.

We are looking forward to setting up business relationship with you and hope to provide you with the best service and solution. Let us make a better world for our industry!



Contact us

Tel: +86-755-8981 8866 Fax: +86-755-8427 6832

Email & Skype: info@chipsmall.com Web: www.chipsmall.com

Address: A1208, Overseas Decoration Building, #122 Zhenhua RD., Futian, Shenzhen, China



MATERIALS AND FINISHES:

J CONTACT BeCu
PLATED GOLD

INSULATOR TEFLON

I PART NO: 73366-0060/73366-0062/73366-0063/73366-0064

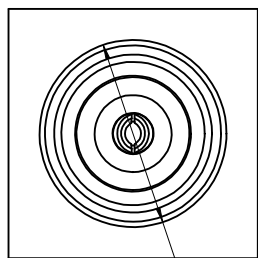
H BODY BRASS
PLATED NICKEL

H PART NO: 73366-0061/73366-0065/73366-0066

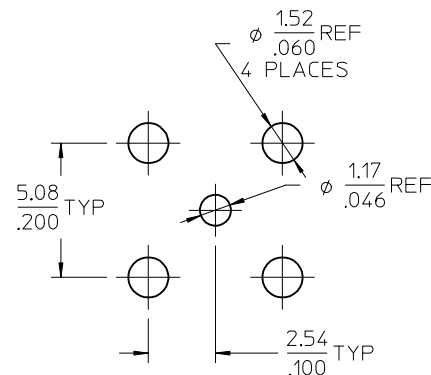
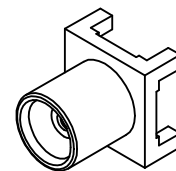
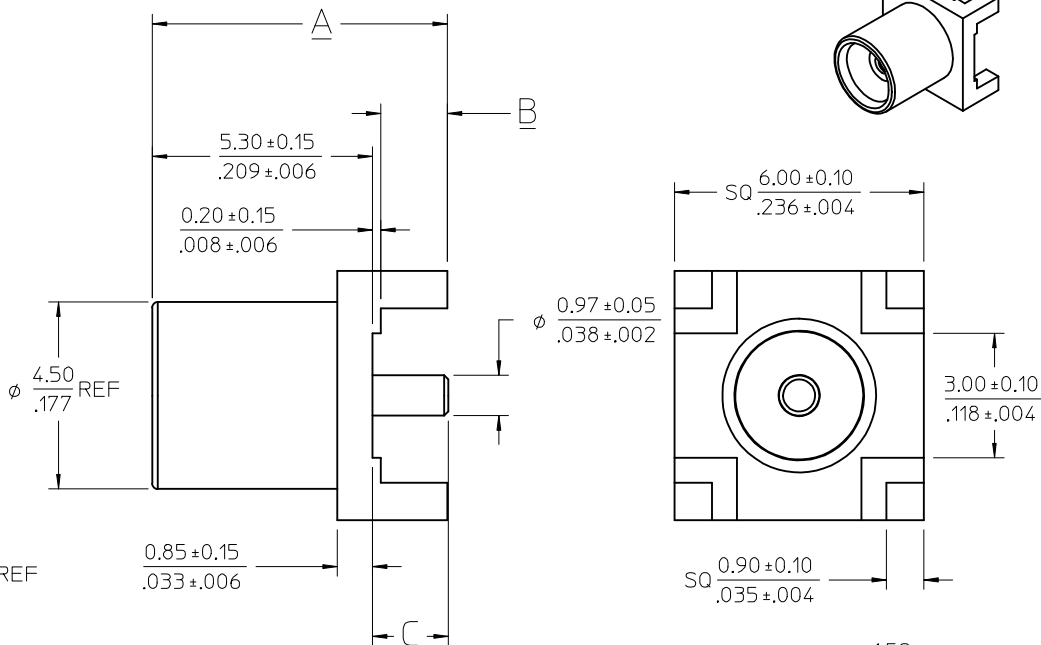
H BODY BRASS
PLATED GOLD

G PART NO 73366-0062/73366-0064/7336-0066
PACKAGING WITH TAPE & REEL
SEE SHEETS 2 & 3 FOR PACKAGING
INSTRUCTIONS

F SEE SD-73366-619 FOR CONTINUATION OF TABULATION



ϕ 4.50
.177 REF



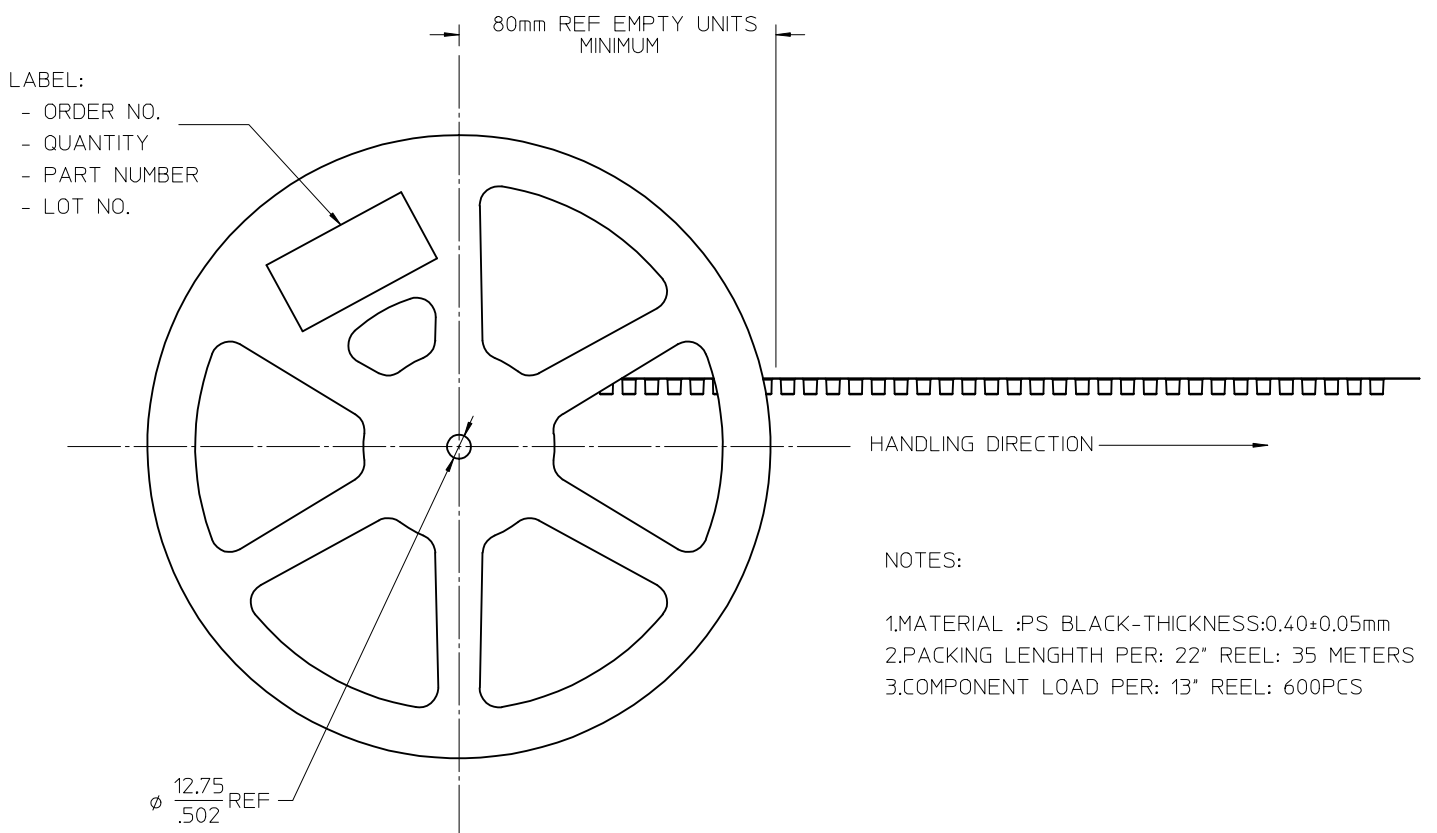
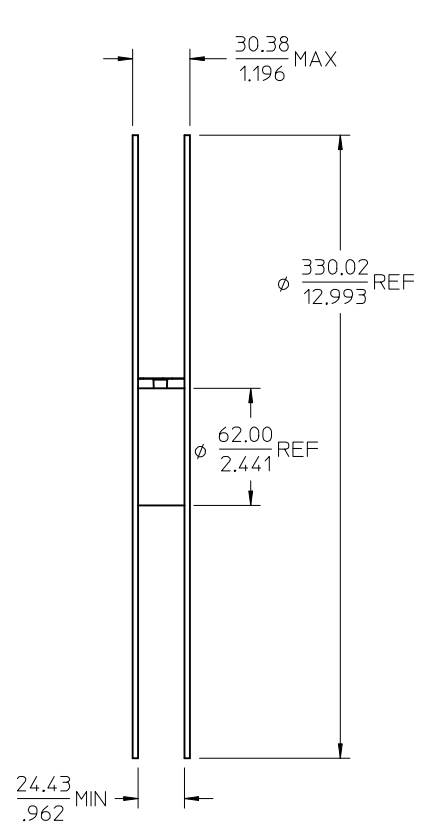
SUGGESTED PCB LAYOUT

73366-0069	.280±.006	7.10±0.15	.062±.006	1.57±0.15	.073±.006	1.86±0.15	1 PC 73366-0061 PER BAG
73366-0068	.280±.006	7.10±0.15	.062±.006	1.57±0.15	.073±.006	1.86±0.15	73366-0060.SMALL TRAY
73366-0067	.280±.006	7.10±0.15	.062±.006	1.57±0.15	.073±.006	1.86±0.15	1 PC 73366-0060 PER BAG
73366-0066	.236±.006	5.99±0.15	.019±.006	0.5±0.15	.031±.006	0.8±0.15	TAPE & REEL
73366-0065	.236±.006	5.99±0.15	.019±.006	0.5±0.15	.031±.006	0.8±0.15	TRAY
73366-0064	.236±.006	5.99±0.15	.019±.006	0.5±0.15	.031±.006	0.8±0.15	TAPE & REEL
73366-0063	.236±.006	5.99±0.15	.019±.006	0.5±0.15	.031±.006	0.8±0.15	TRAY
73366-0062	.280±.006	7.10±0.15	.062±.006	1.57±0.15	.073±.006	1.86±0.15	TAPE & REEL
73366-0061	.280±.006	7.10±0.15	.062±.006	1.57±0.15	.073±.006	1.86±0.15	TRAY
73366-0060	.280±.006	7.10±0.15	.062±.006	1.57±0.15	.073±.006	1.86±0.15	TRAY

PART NO.	A		B		C		PACKAGE
	IN	MM	IN	MM	IN	MM	

PS-73598-0132	ELECTRO/MECH PERFORM.
SPECIFICATION	DESCRIPTION

<p>DRAWING ERROR 600 WAS 900 PER RF14-E097</p> <p>EC NO: URF2014-0496 DRWN:ELIN 2014/03/04 CHKD: APPR:MHUANG 2014/03/11</p> <p>DESCRIPTION</p>	<p>QUALITY SYMBOLS</p> <p>▽=0</p> <p>▽=0</p>	<p>GENERAL TOLERANCES (UNLESS SPECIFIED)</p> <table border="1"> <thead> <tr> <th></th> <th>mm</th> <th>INCH</th> </tr> </thead> <tbody> <tr> <td>4 PLACES</td> <td>± ---</td> <td>± ---</td> </tr> <tr> <td>3 PLACES</td> <td>± ---</td> <td>± ---</td> </tr> <tr> <td>2 PLACES</td> <td>± ---</td> <td>± ---</td> </tr> <tr> <td>1 PLACE</td> <td>± ---</td> <td>± ---</td> </tr> </tbody> </table> <p>ANGULAR ± 2 °</p>		mm	INCH	4 PLACES	± ---	± ---	3 PLACES	± ---	± ---	2 PLACES	± ---	± ---	1 PLACE	± ---	± ---	<p>DIMENSION STYLE</p> <p>MM/IN</p> <p>DRAWN BY LYNN DATE 2001/04/03</p> <p>CHECKED BY JOHNSON DATE 2001/04/03</p> <p>APPROVED BY MISEN DATE 2001/04/03</p>	<p>SCALE</p> <p>DESIGN UNITS METRIC</p> <p>THIRD ANGLE PROJECTION</p>	<p>TITLE</p> <p>MCX JACK VERT PCB TH 50 OHMS MCX-J/PCB EWR-3263</p>	<p>MATERIAL NO. SEE TABLE</p>	<p>DOCUMENT NO. SD-73366-006</p>	<p>SHEET NO. 1 OF 3</p>
				mm	INCH																		
			4 PLACES	± ---	± ---																		
3 PLACES	± ---	± ---																					
2 PLACES	± ---	± ---																					
1 PLACE	± ---	± ---																					
<p>DRAFT WHERE APPLICABLE MUST REMAIN WITHIN DIMENSIONS</p>	<p>THIS DRAWING CONTAINS INFORMATION THAT IS PROPRIETARY TO MOLEX INCORPORATED AND SHOULD NOT BE USED WITHOUT WRITTEN PERMISSION</p>																						



LABEL:
- ORDER NO.
- QUANTITY
- PART NUMBER
- LOT NO.

NOTES:
1.MATERIAL :PS BLACK-THICKNESS:0.40±0.05mm
2.PACKING LENGTH PER: 22" REEL: 35 METERS
3.COMPONENT LOAD PER: 13" REEL: 600PCS

CHG: SEE SHEET 1 EC NO: URF2014-0496 DRWNLIN 2014/03/04 CHKD: APPR:MHUANG 2014/03/11 B11	QUALITY SYMBOLS ▽=0 ▽=0	GENERAL TOLERANCES (UNLESS SPECIFIED) mm INCH 4 PLACES ± --- ± --- 3 PLACES ± --- ± --- 2 PLACES ± --- ± --- 1 PLACE ± --- ± --- ANGULAR ± 2 °	DIMENSION STYLE MM/IN DRAWN BY DATE LYNN 2001/04/03 CHECKED BY DATE JOHNSON 2001/04/03 APPROVED BY DATE MISEN 2001/04/03	SCALE DESIGN UNITS METRIC THIRD ANGLE PROJECTION	TITLE MCX JACK VERT PCB TH 50 OHMS MCX-J/PCB EWR-3263	MATERIAL NO. SEE SHEET 1	DOCUMENT NO. SD-73366-006	SHEET NO. 3 OF 3		
	DRAFT WHERE APPLICABLE MUST REMAIN WITHIN DIMENSIONS		THIS DRAWING CONTAINS INFORMATION THAT IS PROPRIETARY TO MOLEX INCORPORATED AND SHOULD NOT BE USED WITHOUT WRITTEN PERMISSION		MOLEX MOLEX INCORPORATED					

MATERIALS AND FINISHES:

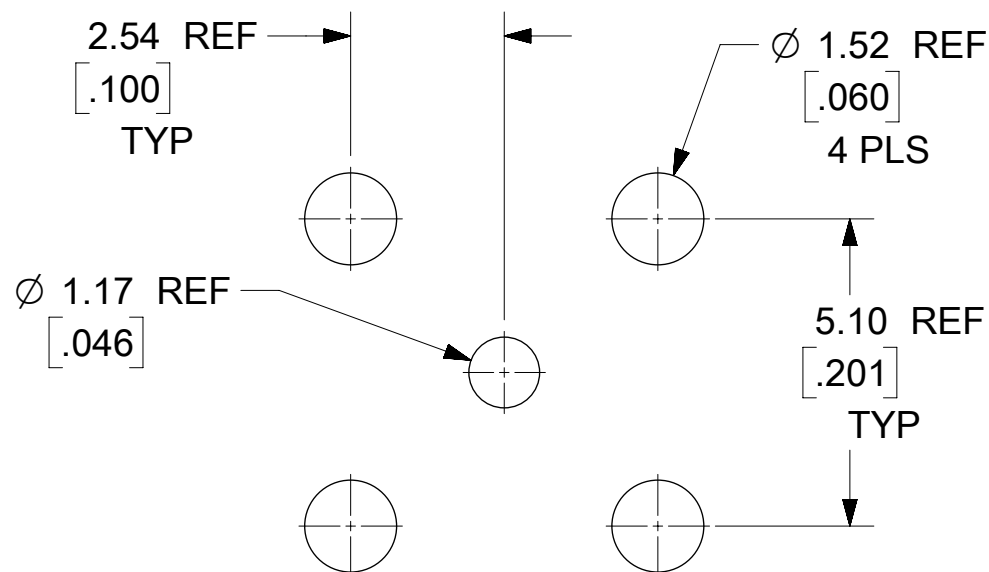
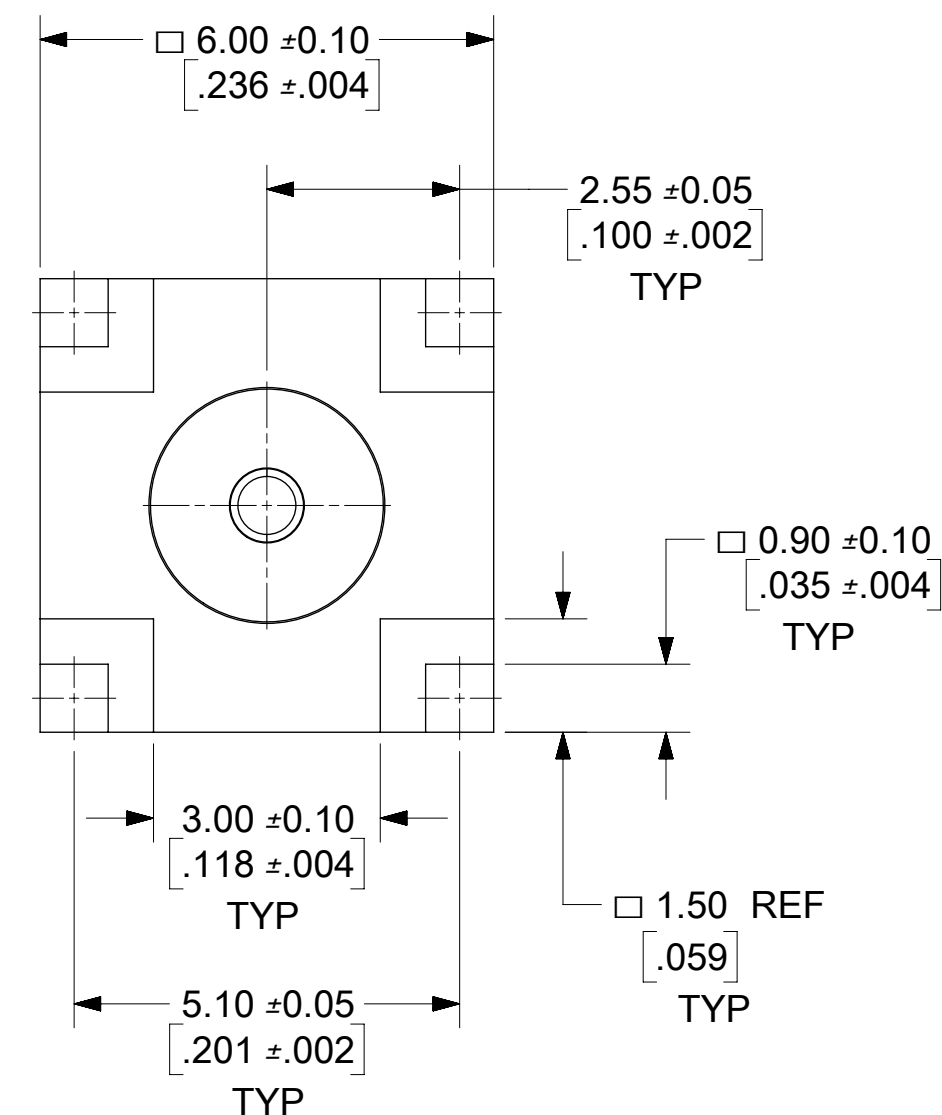
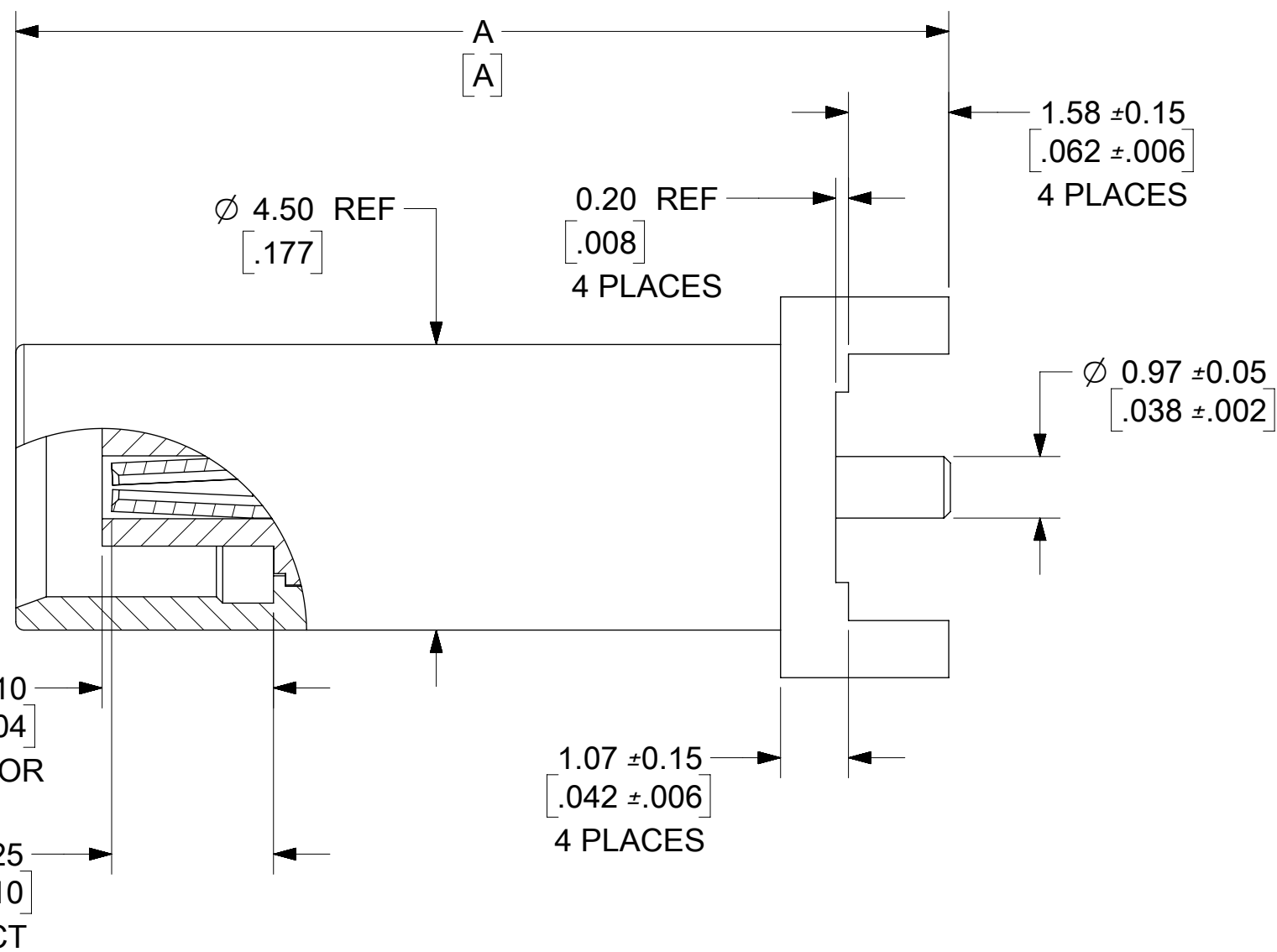
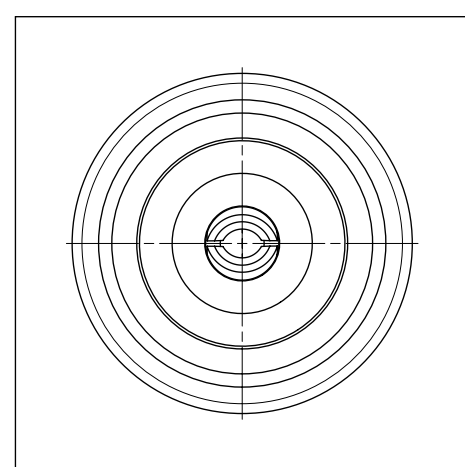
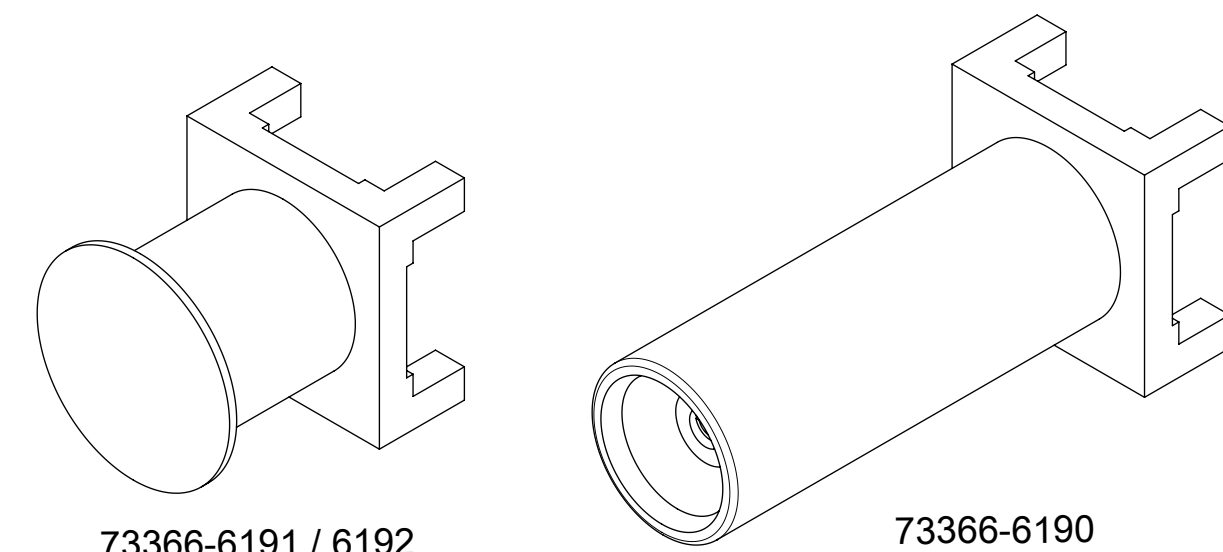
BODY: BRASS
 PLATED: GOLD (1μ-in MIN)
 OVER NICKEL (50μ-in MIN)

CONTACT: BERYLLIUM COPPER
 PLATED: SEE TABLE

INSULATOR: PTFE

KAPTON: POLYIMIDE
 COLOR: BLACK

NOTE:
 SEE SD-73366-006 FOR TAPE & REEL DRAWING.



RECOMMENDED HOLE LAYOUT

ORIGINALLY DRAWN
 BY AZR ON 2009/10/14

73366-6192	7.10	.280	GOLD (1μ-in MIN) OVER NICKEL (50μ-in MIN)	TAPE & REEL WITH KAPTON
73366-6191	7.10	.280	GOLD (30μ-in MIN) OVER NICKEL (50μ-in MIN)	TAPE & REEL WITH KAPTON
73366-6190	14.70	.579	GOLD (10μ-in MIN) OVER NICKEL (100μ-in MIN)	TRAY
PART NO.	MM	IN	PLATING (CONTACT)	PACKAGING
	DIM A (REF)			

QUALITY SYMBOLS ▽ = 0 ▽ = 0 ▽ = 0 ▽ = 0 ▽ = 0 ▽ = 0 ▽ = 0 ▽ = 0 ▽ = 0 ▽ = 0	THIS DRAWING CONTAINS INFORMATION THAT IS PROPRIETARY TO MOLEX ELECTRONIC TECHNOLOGIES, LLC AND SHOULD NOT BE USED WITHOUT WRITTEN PERMISSION				DIMENSION UNITS MM		SCALE						
	GENERAL TOLERANCES (UNLESS SPECIFIED)				DRWN BY CWEI02		DATE 2014/11/24					MCX JACK VERTICAL PCB 50 OHMS TH, MCX-J/PCB, EWR-10630	
	MIGRATED AND REVISED				4 PLACES ± ±		CHK'D BY APRAKASH01		DATE 2017/03/10		PRODUCT CUSTOMER DRAWING		
	EC NO: 109368 DRWN: APRAKASH01 CHKD: APRAKASH01 REV APPR: AROBERTSON				3 PLACES ± ± 0.01		APPR BY AROBERTSON		DATE 2017/03/10				
	2017/03/02 2017/03/10 2017/03/10				2 PLACES ± 0.25 ±		DRAWING SIZE C		THIRD ANGLE PROJECTION		MATERIAL NUMBER SEE TABLE		
	1 PLACES ± ±				1 PLACES ± ±		ANGULAR TOL = 2.0		DRAFT WHERE APPLICABLE MUST REMAIN WITHIN DIMENSIONS				
	0 PLACES ± ±				0 PLACES ± ±		DRAFT WHERE APPLICABLE MUST REMAIN WITHIN DIMENSIONS		DOCUMENT NUMBER SD-73366-619		DOC TYPE PSD		
	DIMENSION UNITS MM				DIMENSION UNITS INCH		DIMENSION UNITS MM		DIMENSION UNITS INCH				
	DIMENSION UNITS MM				DIMENSION UNITS INCH		DIMENSION UNITS MM		DIMENSION UNITS INCH		SHEET NUMBER 1 OF 1		
	DIMENSION UNITS MM				DIMENSION UNITS INCH		DIMENSION UNITS MM		DIMENSION UNITS INCH				
DIMENSION UNITS MM				DIMENSION UNITS INCH		DIMENSION UNITS MM		DIMENSION UNITS INCH		SHEET NUMBER 1 OF 1			

RELEASE STATUS	RELEASE DATE
12	11