



Chipsmall Limited consists of a professional team with an average of over 10 year of expertise in the distribution of electronic components. Based in Hongkong, we have already established firm and mutual-benefit business relationships with customers from,Europe,America and south Asia,supplying obsolete and hard-to-find components to meet their specific needs.

With the principle of "Quality Parts,Customers Priority,Honest Operation,and Considerate Service",our business mainly focus on the distribution of electronic components. Line cards we deal with include Microchip,ALPS,ROHM,Xilinx,Pulse,ON,Everlight and Freescale. Main products comprise IC,Modules,Potentiometer,IC Socket,Relay,Connector.Our parts cover such applications as commercial,industrial, and automotives areas.

We are looking forward to setting up business relationship with you and hope to provide you with the best service and solution. Let us make a better world for our industry!



Contact us

Tel: +86-755-8981 8866 Fax: +86-755-8427 6832

Email & Skype: info@chipsmall.com Web: www.chipsmall.com

Address: A1208, Overseas Decoration Building, #122 Zhenhua RD., Futian, Shenzhen, China



MATERIALS AND FINISHES:

J CONTACT BeCu
PLATED GOLD

INSULATOR TEFLON

I PART NO: 73366-0060/73366-0062/73366-0063/73366-0064

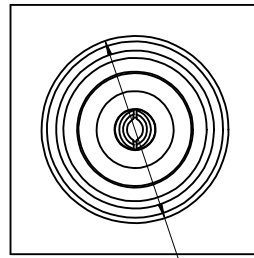
H BODY BRASS
PLATED NICKEL

H PART NO: 73366-0061/73366-0065/73366-0066

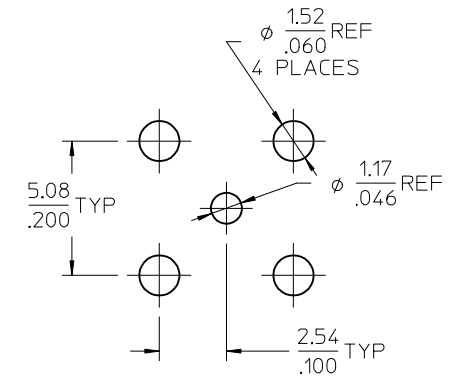
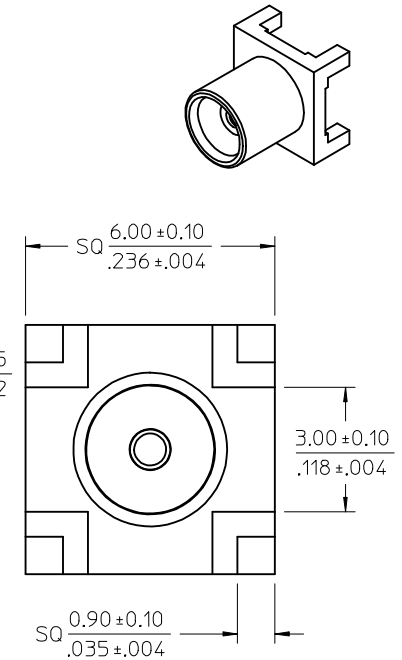
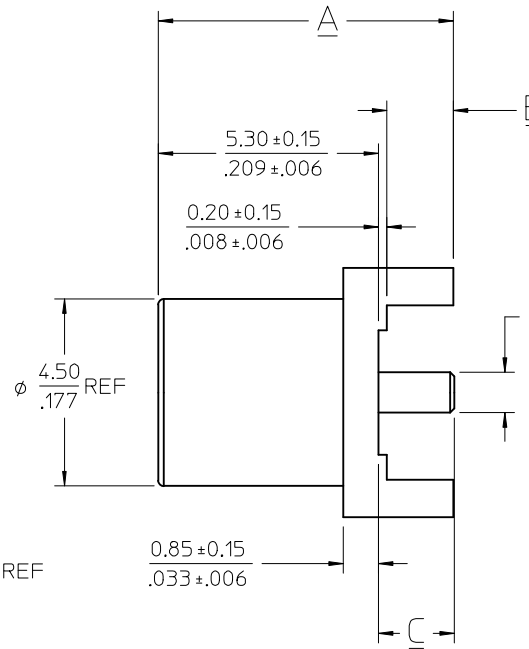
H BODY BRASS
PLATED GOLD

G PART NO 73366-0062/73366-0064/7336-0066
PACKAGING WITH TAPE & REEL
SEE SHEETS 2 & 3 FOR PACKAGING
INSTRUCTIONS

F SEE SD-73366-619 FOR CONTINUATION OF TABULATION



ϕ 4.50
.177 REF



SUGGESTED PCB LAYOUT

73366-0069	.280±.006	7.10±0.15	.062±.006	1.57±0.15	.073±.006	1.86±0.15	1 PC 73366-0061 PER BAG
73366-0068	.280±.006	7.10±0.15	.062±.006	1.57±0.15	.073±.006	1.86±0.15	73366-0060.SMALL TRAY
73366-0067	.280±.006	7.10±0.15	.062±.006	1.57±0.15	.073±.006	1.86±0.15	1 PC 73366-0060 PER BAG
73366-0066	.236±.006	5.99±0.15	.019±.006	0.5±0.15	.031±.006	0.8±0.15	TAPE & REEL
73366-0065	.236±.006	5.99±0.15	.019±.006	0.5±0.15	.031±.006	0.8±0.15	TRAY
73366-0064	.236±.006	5.99±0.15	.019±.006	0.5±0.15	.031±.006	0.8±0.15	TAPE & REEL
73366-0063	.236±.006	5.99±0.15	.019±.006	0.5±0.15	.031±.006	0.8±0.15	TRAY
73366-0062	.280±.006	7.10±0.15	.062±.006	1.57±0.15	.073±.006	1.86±0.15	TAPE & REEL
73366-0061	.280±.006	7.10±0.15	.062±.006	1.57±0.15	.073±.006	1.86±0.15	TRAY
73366-0060	.280±.006	7.10±0.15	.062±.006	1.57±0.15	.073±.006	1.86±0.15	TRAY

	IN	MM	IN	MM	IN	MM	PACKAGE
PART NO.	A		B		C		

PS-73598-0132	ELECTRO/MECH PERFORM.
SPECIFICATION	DESCRIPTION

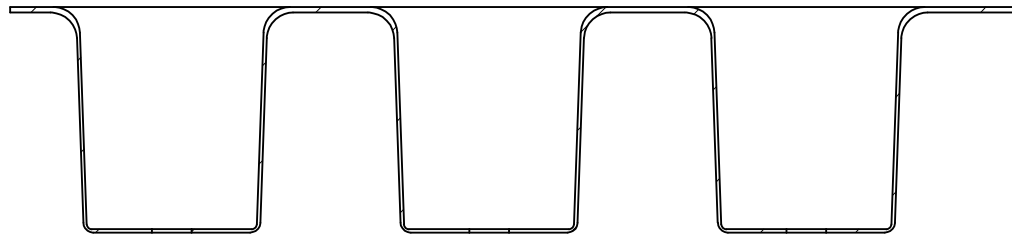
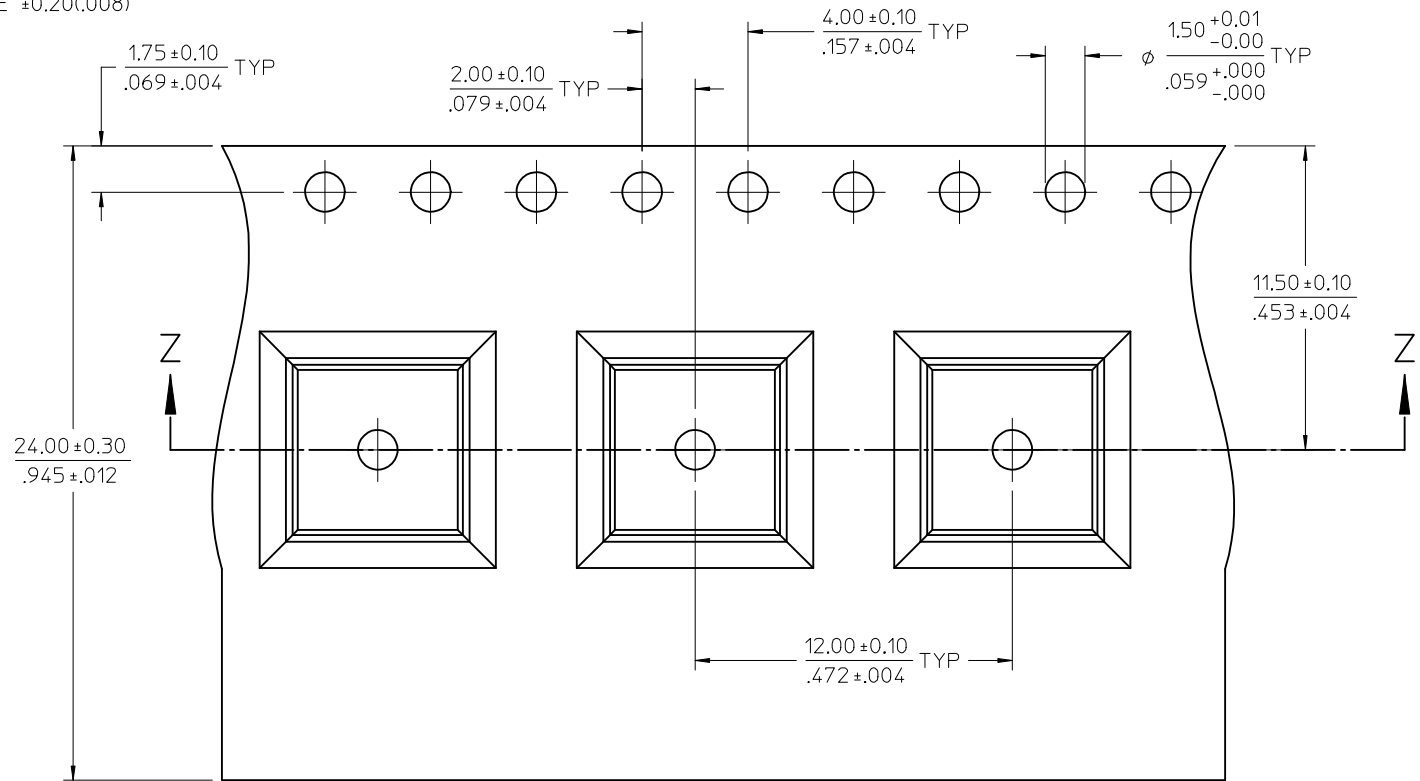
CHANGE PACKAGE 73366-0060/-0061 73366-0063/-0065 TARY WAS BAG PER RF13-E097	EC NO: URF2013-0485	2013/02/27
	DRWINEL IN	2013/03/05
CHKD:	APPR:MHUANG	DESCRIPTION
REV	B10	

QUALITY SYMBOLS	GENERAL TOLERANCES (UNLESS SPECIFIED)
▽=0	mm INCH
▽=0	4 PLACES ± --- ± ---
	3 PLACES ± --- ± ---
	2 PLACES ± --- ± ---
	1 PLACE ± --- ± ---
	ANGULAR ± 2 °
	DRAFT WHERE APPLICABLE MUST REMAIN WITHIN DIMENSIONS

DIMENSION STYLE	SCALE	DESIGN UNITS	THIRD ANGLE PROJECTION
MM/IN		METRIC	
DRAWN BY	DATE	TITLE	
LYNN	2001/04/03	MCX JACK VERT PCB TH	
CHECKED BY	DATE	50 OHMS	
JOHNSON	2001/04/03	MCX-J/PCB EWR-3263	
APPROVED BY	DATE	MATERIAL NO.	DOCUMENT NO.
MISEN	2001/04/03	SEE TABLE	SD-73366-006

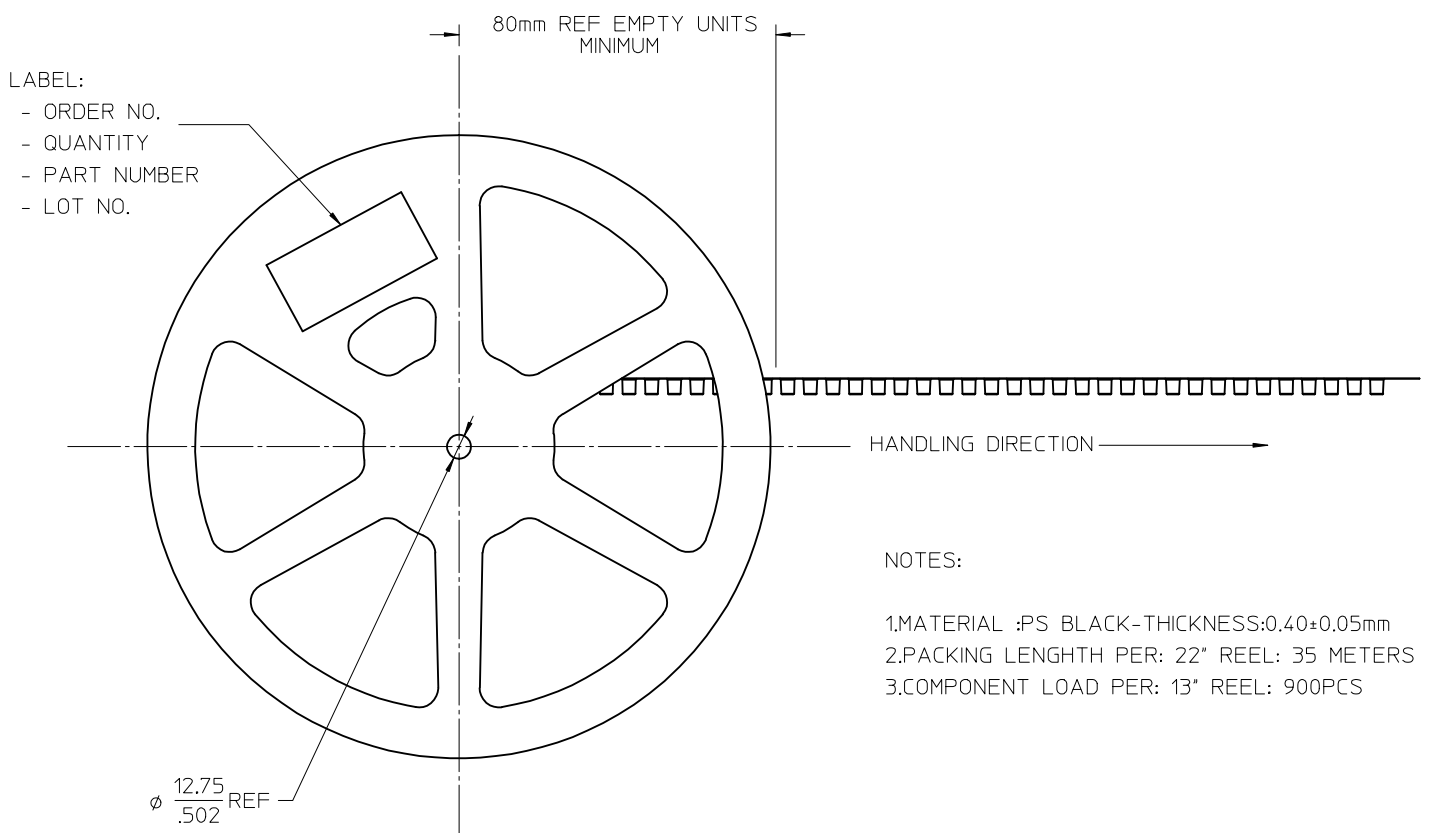
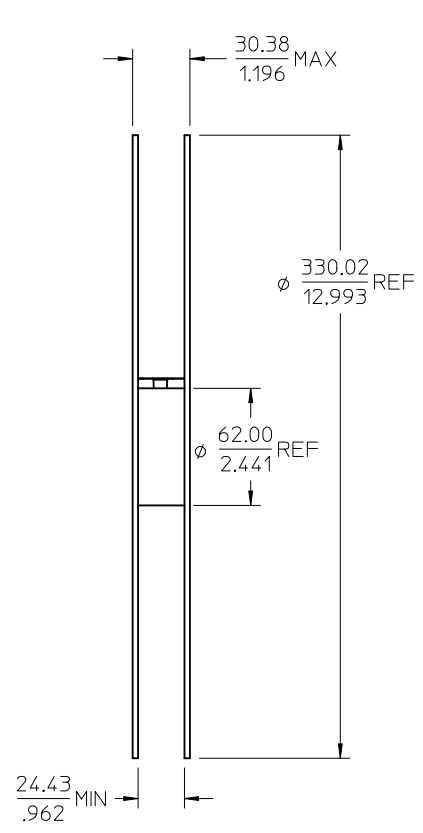
MATERIAL NO.	DOCUMENT NO.	SHEET NO.
SEE TABLE	SD-73366-006	1 OF 3
THIS DRAWING CONTAINS INFORMATION THAT IS PROPRIETARY TO MOLEX INCORPORATED AND SHOULD NOT BE USED WITHOUT WRITTEN PERMISSION		

NOTE:
1. 10 PITCHES CUMULATIVE TOLERANCE ±0.20(.008)



SECTION Z-Z

CHG: SEE SHEET 1 EEC NO: URF2013-0485 DRWNLIN 2013/02/27 CHKD: APPR: MHLIANG 2013/03/05 REV: B10	QUALITY SYMBOLS ▽=0 ▽=0	GENERAL TOLERANCES (UNLESS SPECIFIED) <table border="1"> <thead> <tr> <th></th> <th>mm</th> <th>INCH</th> </tr> </thead> <tbody> <tr> <td>4 PLACES</td> <td>± .15</td> <td>± .006</td> </tr> <tr> <td>3 PLACES</td> <td>± .20</td> <td>± .008</td> </tr> <tr> <td>2 PLACES</td> <td>± .25</td> <td>± .010</td> </tr> <tr> <td>1 PLACE</td> <td>± .30</td> <td>± .012</td> </tr> </tbody> </table>		mm	INCH	4 PLACES	± .15	± .006	3 PLACES	± .20	± .008	2 PLACES	± .25	± .010	1 PLACE	± .30	± .012	DIMENSION STYLE MM/IN	SCALE DESIGN UNITS METRIC	THIRD ANGLE PROJECTION
		mm	INCH																	
	4 PLACES	± .15	± .006																	
	3 PLACES	± .20	± .008																	
2 PLACES	± .25	± .010																		
1 PLACE	± .30	± .012																		
DRAFT WHERE APPLICABLE MUST REMAIN WITHIN DIMENSIONS	ANGULAR ± 2°	DRAWN BY LYNN DATE 2001/04/03	CHECKED BY JOHNSON DATE 2001/04/03	APPROVED BY MISEN DATE 2001/04/03	TITLE MCX JACK VERT PCB TH 50 OHMS MCX-J/PCB EWR-3263															
		MATERIAL NO. SEE SHEET 1	DOCUMENT NO. SD-73366-006	SHEET NO. 2 OF 3	MOLEX INCORPORATED															
		THIS DRAWING CONTAINS INFORMATION THAT IS PROPRIETARY TO MOLEX INCORPORATED AND SHOULD NOT BE USED WITHOUT WRITTEN PERMISSION																		



LABEL:
 - ORDER NO.
 - QUANTITY
 - PART NUMBER
 - LOT NO.

NOTES:
 1.MATERIAL :PS BLACK-THICKNESS:0.40±0.05mm
 2.PACKING LENGTH PER: 22" REEL: 35 METERS
 3.COMPONENT LOAD PER: 13" REEL: 900PCS

CHG: SEE SHEET 1
 EC NO: URF2013-0485
 DRWNLIN 2013/02/27
 CHKD:
 APPR:MHUANG 2013/03/05

QUALITY SYMBOLS
 ▽=0
 ▽=0

GENERAL TOLERANCES (UNLESS SPECIFIED)

	mm	INCH
4 PLACES	± .005	± .0004
3 PLACES	± .008	± .0003
2 PLACES	± .012	± .0005
1 PLACE	± .015	± .0006

ANGULAR ± 2 °

DRAFT WHERE APPLICABLE MUST REMAIN WITHIN DIMENSIONS

DIMENSION STYLE
MM/IN

DRAWN BY DATE
 LYNN 2001/04/03

CHECKED BY DATE
 JOHNSON 2001/04/03

APPROVED BY DATE
 MISEN 2001/04/03

MATERIAL NO.
SEE SHEET 1

SCALE
METRIC

DESIGN UNITS
METRIC

THIRD ANGLE PROJECTION

TITLE
**MCX JACK VERT PCB TH
 50 OHMS
 MCX-J/PCB EWR-3263**

MOLEX INCORPORATED

DOCUMENT NO.
SD-73366-006

SHEET NO.
3 OF 3

THIS DRAWING CONTAINS INFORMATION THAT IS PROPRIETARY TO MOLEX INCORPORATED AND SHOULD NOT BE USED WITHOUT WRITTEN PERMISSION