



Chipsmall Limited consists of a professional team with an average of over 10 year of expertise in the distribution of electronic components. Based in Hongkong, we have already established firm and mutual-benefit business relationships with customers from,Europe,America and south Asia,supplying obsolete and hard-to-find components to meet their specific needs.

With the principle of "Quality Parts,Customers Priority,Honest Operation,and Considerate Service",our business mainly focus on the distribution of electronic components. Line cards we deal with include Microchip,ALPS,ROHM,Xilinx,Pulse,ON,Everlight and Freescale. Main products comprise IC,Modules,Potentiometer,IC Socket,Relay,Connector.Our parts cover such applications as commercial,industrial, and automotives areas.

We are looking forward to setting up business relationship with you and hope to provide you with the best service and solution. Let us make a better world for our industry!



Contact us

Tel: +86-755-8981 8866 Fax: +86-755-8427 6832

Email & Skype: info@chipsmall.com Web: www.chipsmall.com

Address: A1208, Overseas Decoration Building, #122 Zhenhua RD., Futian, Shenzhen, China

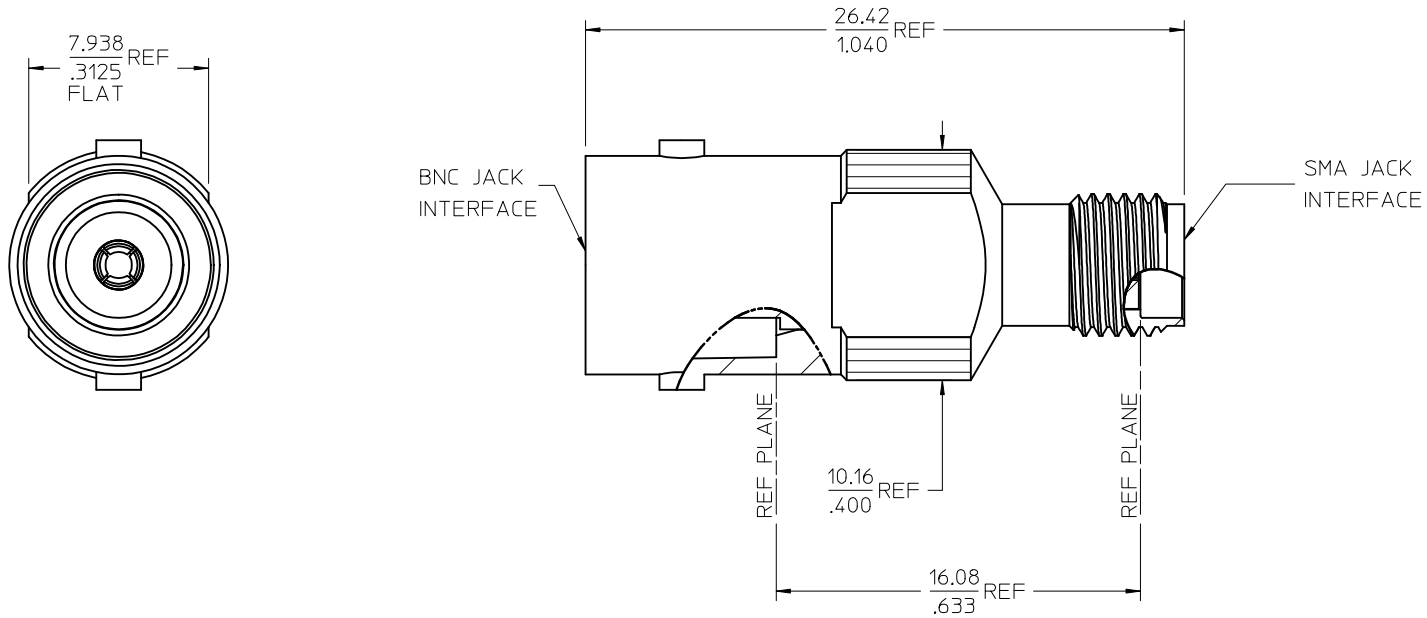
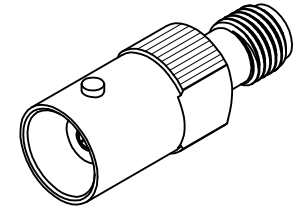


MATERIALS AND FINISHES

BODY STAINLESS STEEL
PASSIVATED

CENTER CONTACT BERYLLIUM COPPER
PLATED GOLD

INSULATOR TEFLON



PS-89675-2700	ELECTRO/MECH PERFORM.
MIL-STD-348A, FIG. 301-2	BNC INTERFACE
MIL-STD-348A, FIG. 310-2	SMA INTERFACE
SPECIFICATION	DESCRIPTION

73386-0042	TRAY
73386-0041	ONE PER BAG
PART NO.	PACKAGING

CHG: UPDATE VIEWS EC NO: URF2013-0380 DRWN: JWIENER 2013/01/08 CHKD: SSS 2013/01/08 APPR: JWIENER 2013/01/08	QUALITY SYMBOLS ▽=0 ▽=0	GENERAL TOLERANCES (UNLESS SPECIFIED)		DIMENSION STYLE MM/IN		SCALE	DESIGN UNITS METRIC	THIRD ANGLE PROJECTION		
		4 PLACES ± --- ± --- 3 PLACES ± --- ± --- 2 PLACES ± --- ± --- 1 PLACE ± --- ± ---	mm INCH ± --- ± --- ± --- ± --- ± --- ± ---	DRAWN BY EDC	DATE 1997/12/29	TITLE BSA,BNC JACK TO SMA JACK ADAPTER, 50 OHMS EWR-2910 BSA-BNCJ/SMAJ				
		ANGULAR ± 2 °		CHECKED BY DHG	DATE 1998/01/05	APPROVED BY GMH		DATE 1998/01/05	MOLEX MOLEX INCORPORATED	
		DRAFT WHERE APPLICABLE MUST REMAIN WITHIN DIMENSIONS		MATERIAL NO. SEE TABLE		DOCUMENT NO. SD-73386-004		SHEET NO. 1 OF 1		