



Chipsmall Limited consists of a professional team with an average of over 10 year of expertise in the distribution of electronic components. Based in Hongkong, we have already established firm and mutual-benefit business relationships with customers from,Europe,America and south Asia,supplying obsolete and hard-to-find components to meet their specific needs.

With the principle of “Quality Parts,Customers Priority,Honest Operation,and Considerate Service”,our business mainly focus on the distribution of electronic components. Line cards we deal with include Microchip,ALPS,ROHM,Xilinx,Pulse,ON,Everlight and Freescale. Main products comprise IC,Modules,Potentiometer,IC Socket,Relay,Connector.Our parts cover such applications as commercial,industrial, and automotives areas.

We are looking forward to setting up business relationship with you and hope to provide you with the best service and solution. Let us make a better world for our industry!



Contact us

Tel: +86-755-8981 8866 Fax: +86-755-8427 6832

Email & Skype: info@chipsmall.com Web: www.chipsmall.com

Address: A1208, Overseas Decoration Building, #122 Zhenhua RD., Futian, Shenzhen, China



MATERIALS AND FINISHES

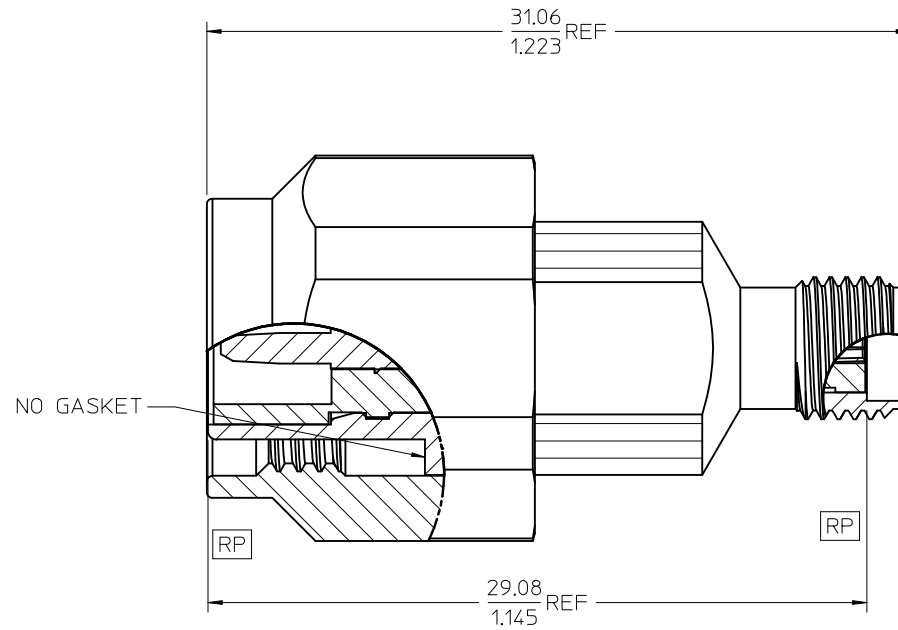
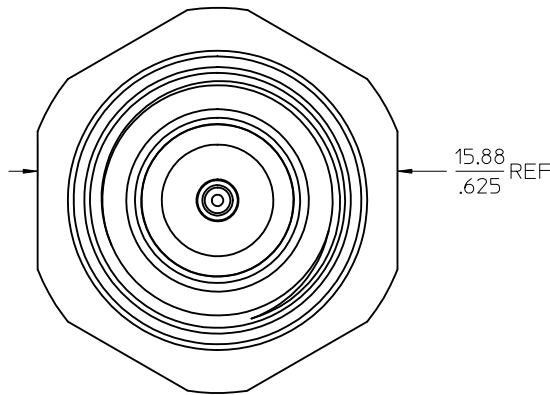
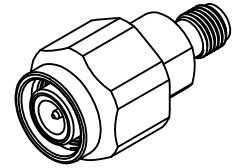
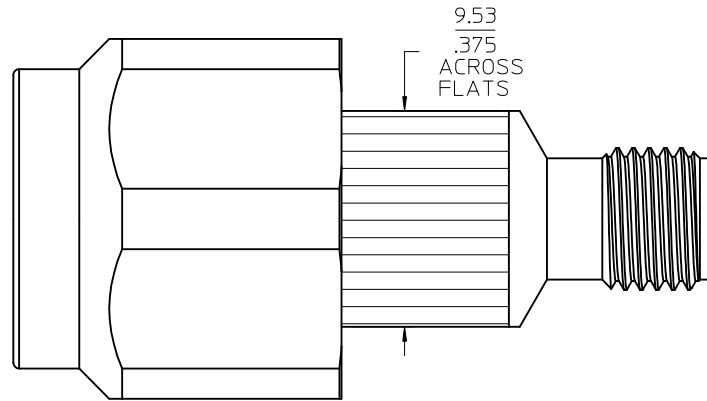
BODY: SEE TABLE
PLATING SEE TABLE

CONTACT: BERYLLIUM COPPER
PLATED GOLD

INSULATOR: TEFLON

COUPLING NUT: BRASS
PLATED NICKEL

RETAINING RING: BERYLLIUM COPPER



73386-0103	PASSIVATED	STAINLESS STEEL	TRAY
73386-0102	NICKEL	BRASS	TRAY
73386-0101	PASSIVATED	STAINLESS STEEL	ONE PER BAG
PART NO.	FINISH	MATERIAL	PACKAGING

CHG: ADD -0101
EC NO: URF2011-0577
DRAWN: JWIENER 2011/04/04
CHKD: AZR 2011/04/04
APPR: JWIENER 2011/04/05

QUALITY SYMBOLS
▽=0
▽=0

GENERAL TOLERANCES (UNLESS SPECIFIED)

	mm	INCH
4 PLACES	± .005	± .0002
3 PLACES	± .003	± .0001
2 PLACES	± .002	± .00008
1 PLACE	± .001	± .00004

ANGULAR ± 2°

DRAFT WHERE APPLICABLE MUST REMAIN WITHIN DIMENSIONS

DIMENSION STYLE
MM/IN

DRAWN BY	DATE
EDC	1997/12/30
CHECKED BY	DATE
DHG	1997/12/30
APPROVED BY	DATE
GMH	1997/12/30

MATERIAL NO. SEE TABLE

SCALE
DESIGN UNITS
METRIC

THIRD ANGLE PROJECTION

TITLE
BSA, TNC PLUG TO
SMA JACK
BSA-TNC/SMA, EWR-2576

MOLEX MOLEX INCORPORATED

DOCUMENT NO. SD-73386-010

SHEET NO. 1 OF 1

THIS DRAWING CONTAINS INFORMATION THAT IS PROPRIETARY TO MOLEX INCORPORATED AND SHOULD NOT BE USED WITHOUT WRITTEN PERMISSION