



Chipsmall Limited consists of a professional team with an average of over 10 year of expertise in the distribution of electronic components. Based in Hongkong, we have already established firm and mutual-benefit business relationships with customers from,Europe,America and south Asia,supplying obsolete and hard-to-find components to meet their specific needs.

With the principle of “Quality Parts,Customers Priority,Honest Operation,and Considerate Service”,our business mainly focus on the distribution of electronic components. Line cards we deal with include Microchip,ALPS,ROHM,Xilinx,Pulse,ON,Everlight and Freescale. Main products comprise IC,Modules,Potentiometer,IC Socket,Relay,Connector.Our parts cover such applications as commercial,industrial, and automotives areas.

We are looking forward to setting up business relationship with you and hope to provide you with the best service and solution. Let us make a better world for our industry!



Contact us

Tel: +86-755-8981 8866 Fax: +86-755-8427 6832

Email & Skype: info@chipsmall.com Web: www.chipsmall.com

Address: A1208, Overseas Decoration Building, #122 Zhenhua RD., Futian, Shenzhen, China

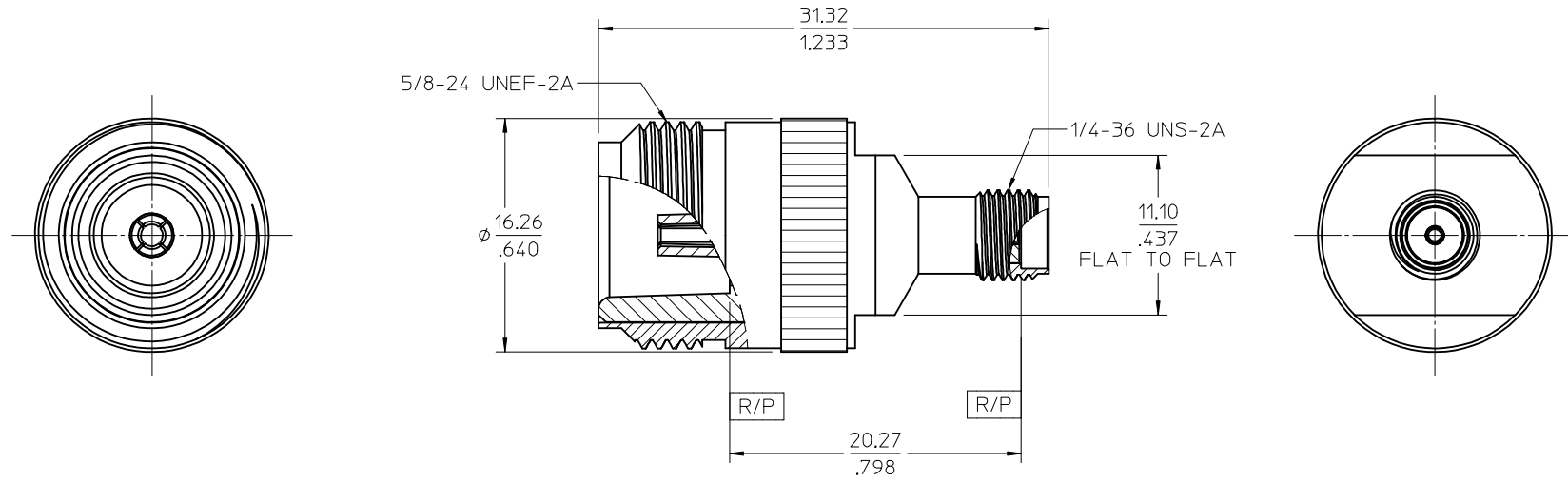
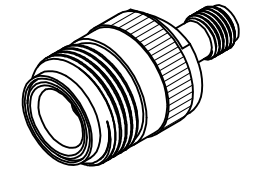
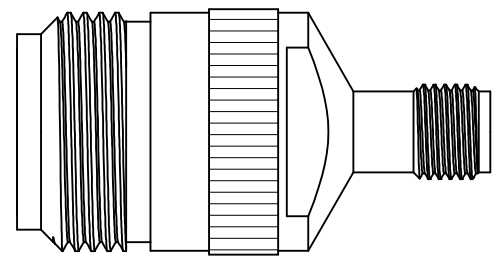


MATERIALS AND FINISHES:

BODY: STAINLESS STEEL
PASSIVATED

CENTER CONTACT: BERYLLIUM COPPER
PLATED GOLD

INSULATOR: TEFLON



73386-0142	TRAY
73386-0141	ONE PER BAG
PART NO	PACKAGING

PS-89675-2720	ELEC/MECH PERFORMANCE
SPECIFICATION	DESCRIPTION

CHG/REGENERATED IN SYSTEM PER RF15-E031 EC NO: URF2015-0093 DRWR:RYEH 2014/08/27 CHKD: APPR:YCHENG 2014/09/02	DESCRIPTION	QUALITY SYMBOLS
	REV	∇=0 ∇=0 ∇=0
	A2	

GENERAL TOLERANCES (UNLESS SPECIFIED)																			
	<table border="1"> <tr> <th></th> <th>mm</th> <th>INCH</th> </tr> <tr> <td>4 PLACES</td> <td>± .005</td> <td>± .0002</td> </tr> <tr> <td>3 PLACES</td> <td>± .003</td> <td>± .0001</td> </tr> <tr> <td>2 PLACES</td> <td>± .002</td> <td>± .00008</td> </tr> <tr> <td>1 PLACE</td> <td>± .001</td> <td>± .00004</td> </tr> <tr> <td>0 PLACE</td> <td>± .0005</td> <td>± .00002</td> </tr> </table>		mm	INCH	4 PLACES	± .005	± .0002	3 PLACES	± .003	± .0001	2 PLACES	± .002	± .00008	1 PLACE	± .001	± .00004	0 PLACE	± .0005	± .00002
	mm	INCH																	
4 PLACES	± .005	± .0002																	
3 PLACES	± .003	± .0001																	
2 PLACES	± .002	± .00008																	
1 PLACE	± .001	± .00004																	
0 PLACE	± .0005	± .00002																	
ANGULAR ± 2 °																			
DRAFT WHERE APPLICABLE MUST REMAIN WITHIN DIMENSIONS																			

DIMENSION STYLE		SCALE	DESIGN UNITS	THIRD ANGLE PROJECTION
MM/IN		4:1	METRIC	
DRAWN BY	DATE	TITLE		
RYEH	2014/08/27	BSA N JACK BKHD TO SMA JACK BSA-NJ/SMJ molex DOCUMENT NO. SD-73386-014 SHEET NO. 1 OF 1		
CHECKED BY	DATE			
KERRIE	2014/08/27			
APPROVED BY	DATE			
YCHENG	2014/09/02	MATERIAL NO. SEE TABLE		

MATERIAL NO.		DOCUMENT NO.	SHEET NO.
SEE TABLE		SD-73386-014	1 OF 1
THIS DRAWING CONTAINS INFORMATION THAT IS PROPRIETARY TO MOLEX INCORPORATED AND SHOULD NOT BE USED WITHOUT WRITTEN PERMISSION			