



Chipsmall Limited consists of a professional team with an average of over 10 year of expertise in the distribution of electronic components. Based in Hongkong, we have already established firm and mutual-benefit business relationships with customers from,Europe,America and south Asia,supplying obsolete and hard-to-find components to meet their specific needs.

With the principle of “Quality Parts,Customers Priority,Honest Operation,and Considerate Service”,our business mainly focus on the distribution of electronic components. Line cards we deal with include Microchip,ALPS,ROHM,Xilinx,Pulse,ON,Everlight and Freescale. Main products comprise IC,Modules,Potentiometer,IC Socket,Relay,Connector.Our parts cover such applications as commercial,industrial, and automotives areas.

We are looking forward to setting up business relationship with you and hope to provide you with the best service and solution. Let us make a better world for our industry!



Contact us

Tel: +86-755-8981 8866 Fax: +86-755-8427 6832

Email & Skype: info@chipsmall.com Web: www.chipsmall.com

Address: A1208, Overseas Decoration Building, #122 Zhenhua RD., Futian, Shenzhen, China



MATERIALS AND FINISHES:

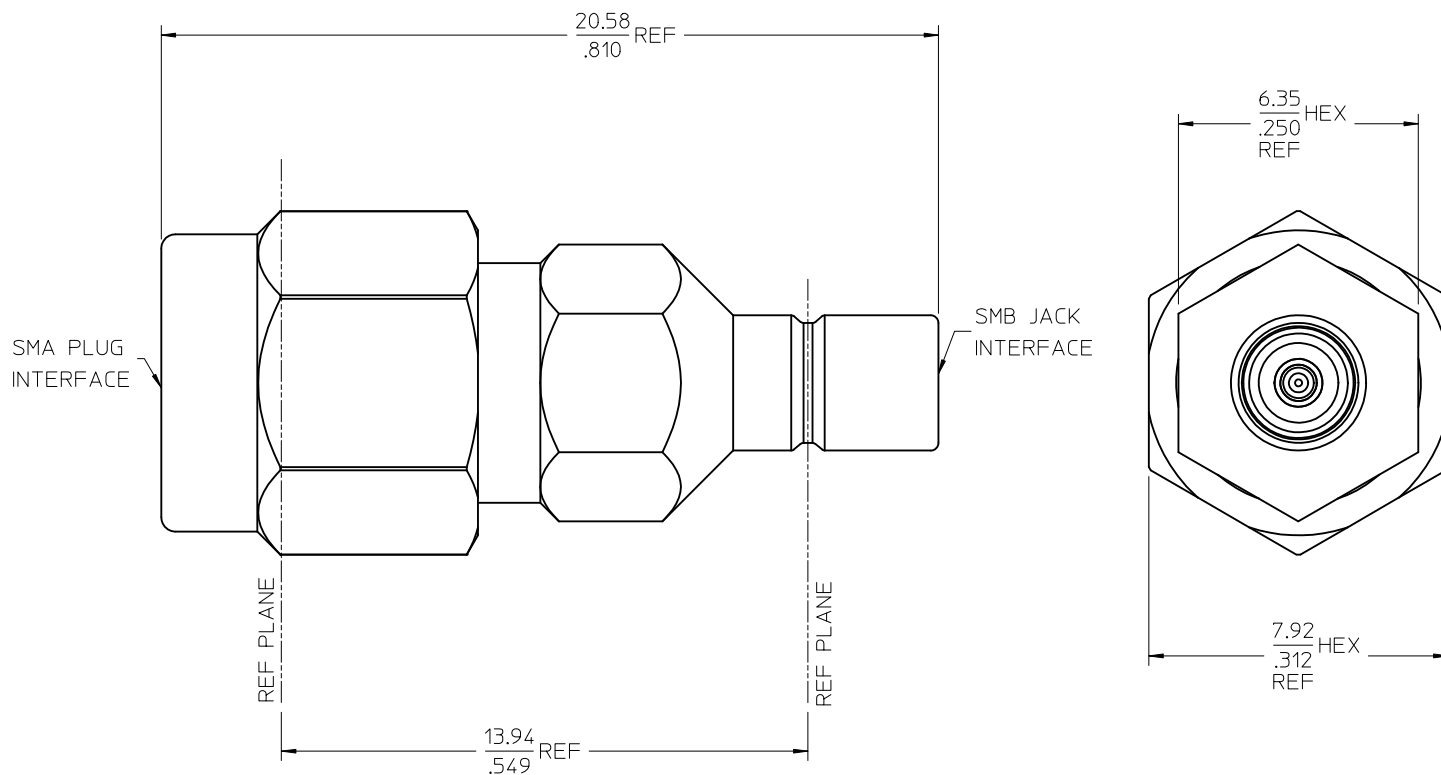
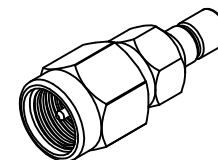
BODY & SMA COUPLING NUT ST. STEEL
PASSIVATED

CENTER CONTACT BERYLLIUM COPPER
PLATED GOLD

INSULATOR TEFLON

SNAP RING BERYLLIUM COPPER

GASKET SILICONE RUBBER



MIL-STD-348A, FIG. 311.1	SMB INTERFACE
MIL-STD-348A, FIG. 310.1	SMA INTERFACE
PS-89675-2730	ELECTRO/MECH PERFORM.
SPECIFICATION	DESCRIPTION

73386-0192	TRAY
73386-0191	ONE PER BAG
PART NO.	PACKAGING

CHG: ADD -0191 EC NO: URF2011-0572 DRWN: JWIENER 2011/04/01 CHKD: SSS 2011/04/01 APPR: JWIENER 2011/04/01 A2	QUALITY SYMBOLS ▽=0 ▽=0	GENERAL TOLERANCES (UNLESS SPECIFIED)	DIMENSION STYLE MM/IN	SCALE	DESIGN UNITS METRIC	THIRD ANGLE PROJECTION															
		<table border="1"> <thead> <tr> <th></th> <th>mm</th> <th>INCH</th> </tr> </thead> <tbody> <tr> <td>4 PLACES</td> <td>± .---</td> <td>± .---</td> </tr> <tr> <td>3 PLACES</td> <td>± .---</td> <td>± .---</td> </tr> <tr> <td>2 PLACES</td> <td>± .---</td> <td>± .---</td> </tr> <tr> <td>1 PLACE</td> <td>± .---</td> <td>± .---</td> </tr> </tbody> </table>		mm	INCH	4 PLACES	± .---	± .---	3 PLACES	± .---	± .---	2 PLACES	± .---	± .---	1 PLACE	± .---	± .---	DRAWN BY DATE GMH 2001/06/18 CHECKED BY DATE TEF 2001/06/18 APPROVED BY DATE XXX 0000/00/00	TITLE		
			mm	INCH																	
		4 PLACES	± .---	± .---																	
3 PLACES	± .---	± .---																			
2 PLACES	± .---	± .---																			
1 PLACE	± .---	± .---																			
ANGULAR ± 2 °	MATERIAL NO. 733860192	DOCUMENT NO. SD-73386-019	SMA PLUG/SMB JACK ADAPTER, 50 OHMS BSA-AD/SMAP/SMBJ																		
DRAFT WHERE APPLICABLE MUST REMAIN WITHIN DIMENSIONS		SIZE C	THIS DRAWING CONTAINS INFORMATION THAT IS PROPRIETARY TO MOLEX INCORPORATED AND SHOULD NOT BE USED WITHOUT WRITTEN PERMISSION																		