



Chipsmall Limited consists of a professional team with an average of over 10 year of expertise in the distribution of electronic components. Based in Hongkong, we have already established firm and mutual-benefit business relationships with customers from,Europe,America and south Asia,supplying obsolete and hard-to-find components to meet their specific needs.

With the principle of “Quality Parts,Customers Priority,Honest Operation,and Considerate Service”,our business mainly focus on the distribution of electronic components. Line cards we deal with include Microchip,ALPS,ROHM,Xilinx,Pulse,ON,Everlight and Freescale. Main products comprise IC,Modules,Potentiometer,IC Socket,Relay,Connector.Our parts cover such applications as commercial,industrial, and automotives areas.

We are looking forward to setting up business relationship with you and hope to provide you with the best service and solution. Let us make a better world for our industry!



## Contact us

Tel: +86-755-8981 8866 Fax: +86-755-8427 6832

Email & Skype: info@chipsmall.com Web: www.chipsmall.com

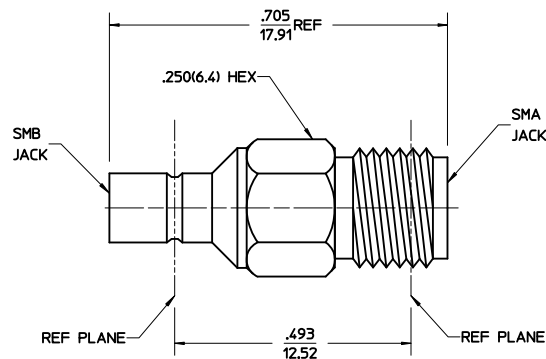
Address: A1208, Overseas Decoration Building, #122 Zhenhua RD., Futian, Shenzhen, China



MATERIALS AND FINISHES:  
 BODY STAINLESS STEEL  
 PASSIVATED

CENTER CONTACT BERYLLIUM COPPER  
 PLATED GOLD

INSULATOR TEFLON



PART # 73386-0202 (TRAY PACK)  
 PART # 73386-0201 (ONE PER BAG)

MIL-STD-348, FIGURE 311-1	SMB INTERFACE
MIL-STD-348, FIGURE 310-2	SMA INTERFACE
PS-89675-2730	ELECTRO/MECH PERFORMANCE
SPECIFICATION	DESCRIPTION

CHG: NEW FRAME EC NO: URF2011-0580 DRWN: JWIENER 2011/04/05 CHKD: AZR 2011/04/05 APPR: JWIENER 2011/04/06	QUALITY SYMBOLS ▽=0 ▽=0	GENERAL TOLERANCES (UNLESS SPECIFIED)		DIMENSION STYLE IN/MM		SCALE	DESIGN UNITS INCH	THIRD ANGLE PROJECTION	
				DRAWN BY DATE		TITLE			
				CHECKED BY DATE		SMA JACK/SMB JACK BSA 50 OHM			
				APPROVED BY DATE		BSA-SMA/SMB EWR-1379			
REV A2	DESCRIPTION	ANGULAR ±1/2°		MATERIAL NO. SEE TABLE		DOCUMENT NO. SD-73386-020		SHEET NO. 1 OF 1	
		DRAFT WHERE APPLICABLE MUST REMAIN WITHIN DIMENSIONS		THIS DRAWING CONTAINS INFORMATION THAT IS PROPRIETARY TO MOLEX INCORPORATED AND SHOULD NOT BE USED WITHOUT WRITTEN PERMISSION					