



Chipsmall Limited consists of a professional team with an average of over 10 year of expertise in the distribution of electronic components. Based in Hongkong, we have already established firm and mutual-benefit business relationships with customers from,Europe,America and south Asia,supplying obsolete and hard-to-find components to meet their specific needs.

With the principle of “Quality Parts,Customers Priority,Honest Operation,and Considerate Service”,our business mainly focus on the distribution of electronic components. Line cards we deal with include Microchip,ALPS,ROHM,Xilinx,Pulse,ON,Everlight and Freescale. Main products comprise IC,Modules,Potentiometer,IC Socket,Relay,Connector.Our parts cover such applications as commercial,industrial, and automotives areas.

We are looking forward to setting up business relationship with you and hope to provide you with the best service and solution. Let us make a better world for our industry!



Contact us

Tel: +86-755-8981 8866 Fax: +86-755-8427 6832

Email & Skype: info@chipsmall.com Web: www.chipsmall.com

Address: A1208, Overseas Decoration Building, #122 Zhenhua RD., Futian, Shenzhen, China



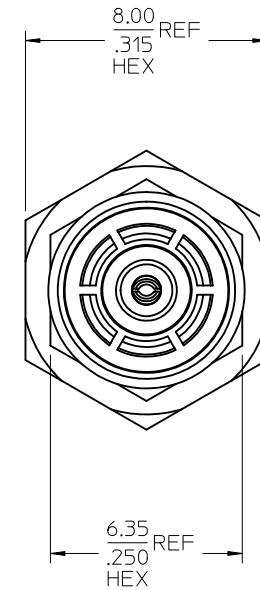
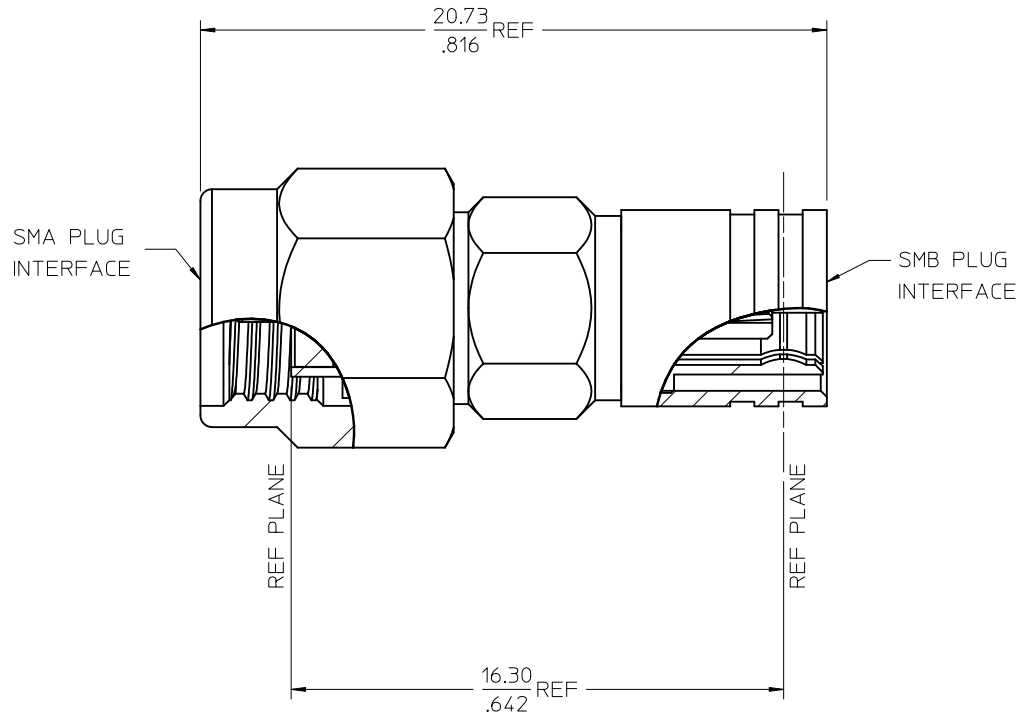
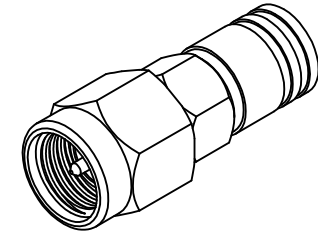
MATERIALS AND FINISHES

BODY BERYLLIUM COPPER
PLATED NICKEL

SMA COUPLING NUT, SMB SLEEVE BRASS
PLATED GOLD

CENTER CONTACT BERYLLIUM COPPER
PLATED GOLD

INSULATOR TEFLON



MIL-STD-348A, FIG. 311.2	SMB INTERFACE
MIL-STD-348A, FIG. 310.1	SMA INTERFACE
PS-89675-2730	ELECTRO/MECH PERFORM.
SPECIFICATION	DESCRIPTION

73386-0211	TRAY
73386-0210	ONE PER BAG
PART NO.	PACKAGING

CHG: SMB SLEEVE
WAS NICKEL PLATED
COUPLING NUT WAS
STAINLESS STEEL
PASSIVATED

EC NO: URF2012-0274
DRWN: WIENER 2011/11/15
CHKD: SSS 2011/11/15
APPR: WIENER 2011/11/16

QUALITY SYMBOLS
▽=0
▽=0

GENERAL TOLERANCES (UNLESS SPECIFIED)

	mm	INCH
4 PLACES	± .005	± .0004
3 PLACES	± .003	± .0002
2 PLACES	± .002	± .0001
1 PLACE	± .001	± .00005

ANGULAR ± 2 °

DRAFT WHERE APPLICABLE
MUST REMAIN
WITHIN DIMENSIONS

DIMENSION STYLE
MM/IN

DRAWN BY	DATE
EDC	1997/12/30
CHECKED BY	DATE
DHG	1997/12/30
APPROVED BY	DATE
GMH	1997/12/30

MATERIAL NO.
SEE TABLE

SIZE
C

SCALE
DESIGN UNITS
METRIC

THIRD ANGLE PROJECTION

TITLE
**SMB PLUG/SMA PLUG STR
IN LINE ADAPTER, 50 OHMS
BSA-SMBP/SMAP**

MOLEX INCORPORATED

DOCUMENT NO.
SD-73386-021

SHEET NO.
1 OF 1

THIS DRAWING CONTAINS INFORMATION THAT IS PROPRIETARY TO MOLEX INCORPORATED AND SHOULD NOT BE USED WITHOUT WRITTEN PERMISSION