



Chipsmall Limited consists of a professional team with an average of over 10 year of expertise in the distribution of electronic components. Based in Hongkong, we have already established firm and mutual-benefit business relationships with customers from,Europe,America and south Asia,supplying obsolete and hard-to-find components to meet their specific needs.

With the principle of “Quality Parts,Customers Priority,Honest Operation,and Considerate Service”,our business mainly focus on the distribution of electronic components. Line cards we deal with include Microchip,ALPS,ROHM,Xilinx,Pulse,ON,Everlight and Freescale. Main products comprise IC,Modules,Potentiometer,IC Socket,Relay,Connector.Our parts cover such applications as commercial,industrial, and automotives areas.

We are looking forward to setting up business relationship with you and hope to provide you with the best service and solution. Let us make a better world for our industry!



Contact us

Tel: +86-755-8981 8866 Fax: +86-755-8427 6832

Email & Skype: info@chipsmall.com Web: www.chipsmall.com

Address: A1208, Overseas Decoration Building, #122 Zhenhua RD., Futian, Shenzhen, China



MATERIALS AND FINISHES

PART NO. 73386-0300

BODY, STAINLESS STEEL
PASSIVATED

COUPLING NUT, STAINLESS STEEL
PASSIVATED

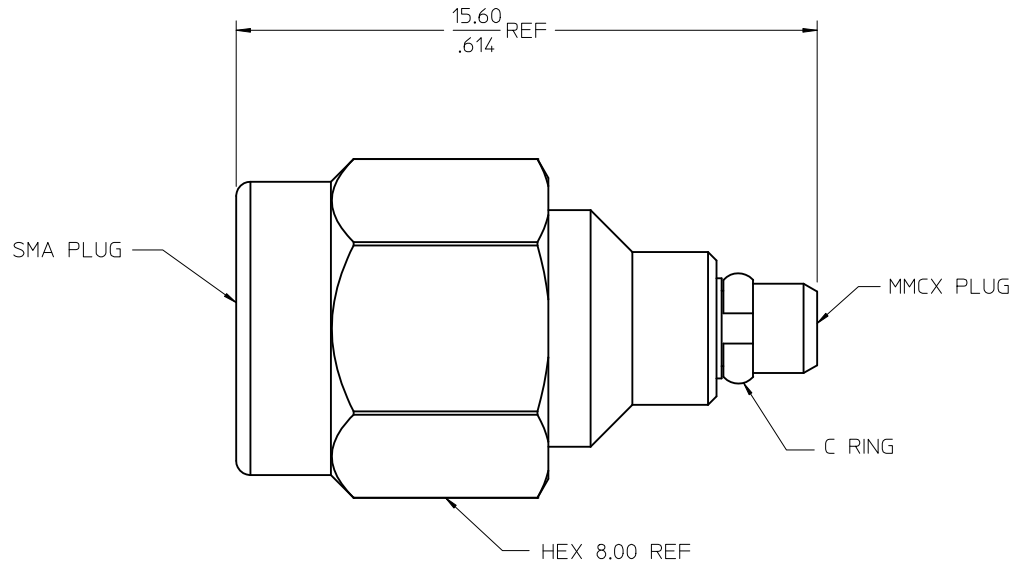
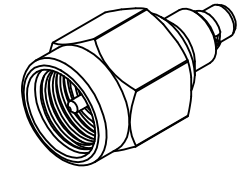
CENTER CONTACT, BRASS
PLATED GOLD

C RING, BERYLLIUM COPPER
PLATED GOLD

INSULATOR, TEFLON

GASKET, SILICONE RUBBER

PACKAGING BY TRAY EXCEPT AS NOTED



LABEL FORMAT FOR
73386-0302

PART NUMBER: 73386-0300
ORDER NUMBER: 73386-0302
MOLEX
DATE: YYWW

PART # 73386-0300

73386-0302	ONE -0300 PER BAG
73386-0301	TRAY (SEE PAGE 2)
73386-0300	TRAY (SEE PAGE 1)
PART NO.	PACKAGING

ES-73599-0000-0150	MMCX PLUG INTERFACE
MIL-STD-348, FIG. 310.1	INTERFACE
SPECIFICATION	DESCRIPTION

CHG: ADD LABEL FORMAT A3	EC NO: URF2012-0380 DRW: BOMALLEY 2012/01/04 CHK: D-AZR APPR: J-MENER 2012/01/04	QUALITY SYMBOLS ▽=0 ▽=0	GENERAL TOLERANCES (UNLESS SPECIFIED)		DIMENSION STYLE MM/IN		SCALE	DESIGN UNITS	THIRD ANGLE PROJECTION			
				mm	INCH	DRAWN BY	DATE	TITLE	SMA PLUG TO MMCX PLUG ADAPTOR, 50 OHM BSA-SMAP/MMCXP	MOLEX INCORPORATED	DOCUMENT NO. SD-73386-030	SHEET NO. 1 OF 2
			4 PLACES	±---	±---	LYNN	2001/12/18					
			3 PLACES	±---	±---	CHECKED BY	DATE					
2 PLACES	±---	±---	VINCENT	2001/12/18								
1 PLACE	±---	±---	APPROVED BY	DATE								
		ANGULAR	±---°	MISEN	2001/12/18							
DRAFT WHERE APPLICABLE MUST REMAIN WITHIN DIMENSIONS			MATERIAL NO.		SEE TABLE							

13 12 11 10 9 8 7 6 5 4 3 2 1

MATERIALS AND FINISHES

PART NO. 73386-0301

BODY, STAINLESS STEEL
PASSIVATED

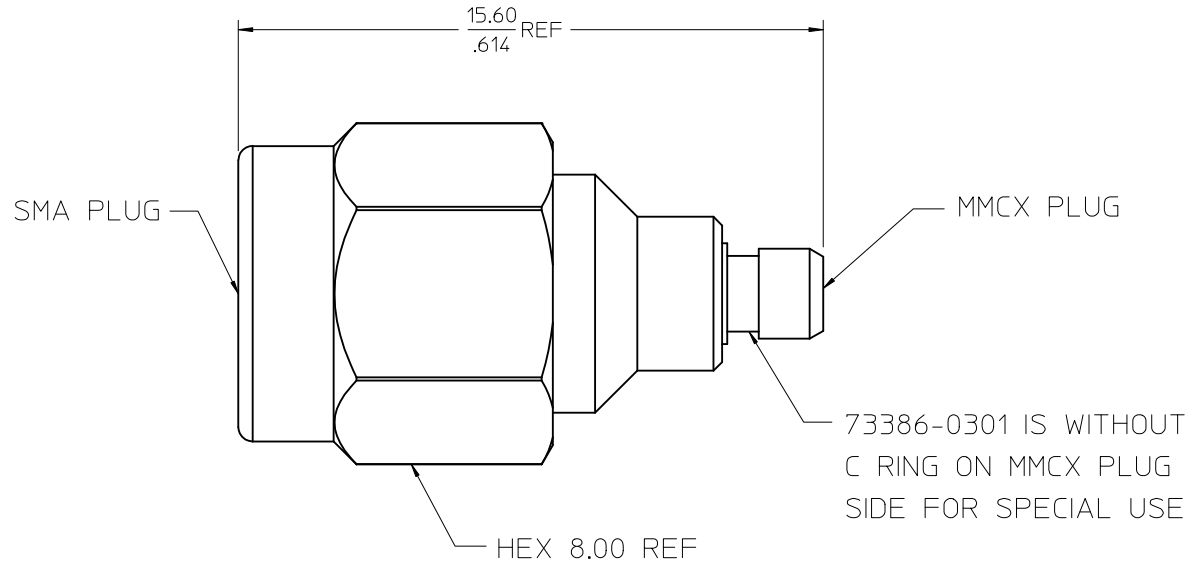
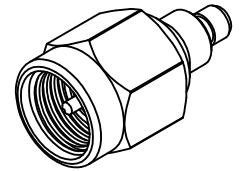
COUPLING NUT, STAINLESS STEEL
PASSIVATED

CENTER CONTACT, BRASS
PLATED GOLD

INSULATOR, TEFLON

GASKET, SILICONE RUBBER

PACKAGING BY TRAY



PART # 73386-0301

ES-73599-0000-0150	MMCX PLUG INTERFACE
MIL-STD-348, FIG. 310.1	INTERFACE
SPECIFICATION	DESCRIPTION

SEE SHEET 1 EC NO: URF2012-0380 DRW: BOMALLEY 2012/01/04 CHKD: AZR APPR: JMIENER 2012/01/04 A3	QUALITY SYMBOLS 	GENERAL TOLERANCES (UNLESS SPECIFIED)		DIMENSION STYLE MM/IN		SCALE	DESIGN UNITS	THIRD ANGLE PROJECTION																	
		<table border="1"> <thead> <tr> <th></th> <th>mm</th> <th>INCH</th> </tr> </thead> <tbody> <tr> <td>4 PLACES</td> <td>± .005</td> <td>± .0005</td> </tr> <tr> <td>3 PLACES</td> <td>± .005</td> <td>± .0005</td> </tr> <tr> <td>2 PLACES</td> <td>± .005</td> <td>± .0005</td> </tr> <tr> <td>1 PLACE</td> <td>± .005</td> <td>± .0005</td> </tr> </tbody> </table>		mm	INCH	4 PLACES	± .005	± .0005	3 PLACES	± .005	± .0005	2 PLACES	± .005	± .0005	1 PLACE	± .005	± .0005	ANGULAR ± .0005°	DRAWN BY LYNN	DATE 2001/12/18	TITLE	SMA PLUG TO MMCX PLUG ADAPTOR, 50 OHM BSA-SMAP/MMCXP	MOLEX INCORPORATED	MATERIAL NO.	SD-73386-030
	mm	INCH																							
4 PLACES	± .005	± .0005																							
3 PLACES	± .005	± .0005																							
2 PLACES	± .005	± .0005																							
1 PLACE	± .005	± .0005																							
DRAFT WHERE APPLICABLE MUST REMAIN WITHIN DIMENSIONS		SIZE C		SEE TABLE		DOCUMENT NO.		THIS DRAWING CONTAINS INFORMATION THAT IS PROPRIETARY TO MOLEX INCORPORATED AND SHOULD NOT BE USED WITHOUT WRITTEN PERMISSION																	