



Chipsmall Limited consists of a professional team with an average of over 10 year of expertise in the distribution of electronic components. Based in Hongkong, we have already established firm and mutual-benefit business relationships with customers from,Europe,America and south Asia,supplying obsolete and hard-to-find components to meet their specific needs.

With the principle of “Quality Parts,Customers Priority,Honest Operation,and Considerate Service”,our business mainly focus on the distribution of electronic components. Line cards we deal with include Microchip,ALPS,ROHM,Xilinx,Pulse,ON,Everlight and Freescale. Main products comprise IC,Modules,Potentiometer,IC Socket,Relay,Connector.Our parts cover such applications as commercial,industrial, and automotives areas.

We are looking forward to setting up business relationship with you and hope to provide you with the best service and solution. Let us make a better world for our industry!



Contact us

Tel: +86-755-8981 8866 Fax: +86-755-8427 6832

Email & Skype: info@chipsmall.com Web: www.chipsmall.com

Address: A1208, Overseas Decoration Building, #122 Zhenhua RD., Futian, Shenzhen, China



MATERIALS AND FINISHES:

BODY, COUPLING NUT: STAINLESS STEEL
PASSIVATED

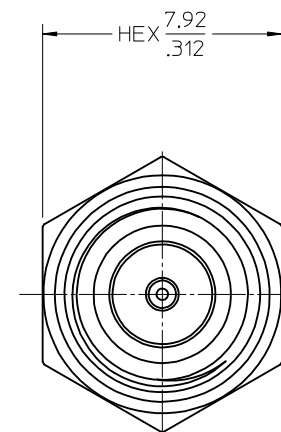
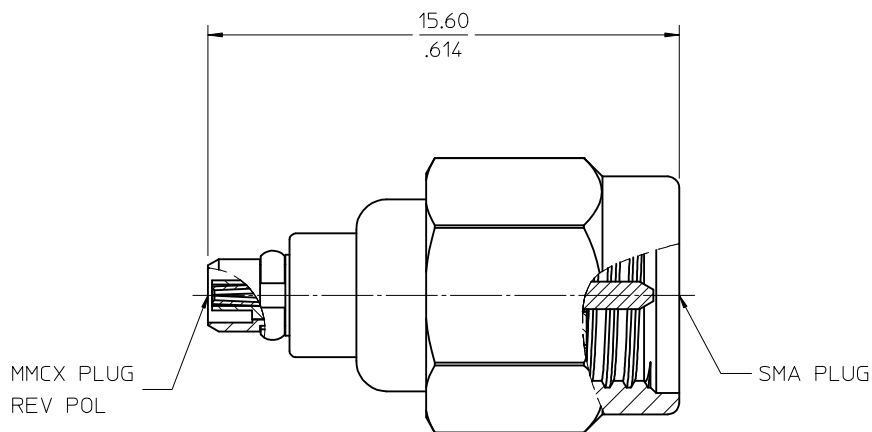
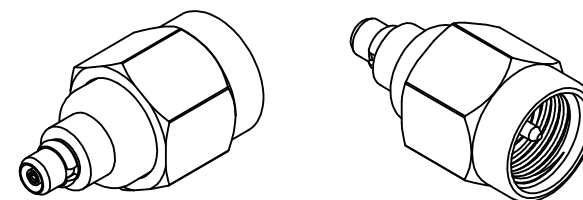
CENTER CONTACT: BERYLLIUM COPPER
PLATED GOLD

INSULATOR: TEFLON

GASKET: SILICONE RUBBER

SNAP RING: BERYLLIUM COPPER
PLATED GOLD

C RING: BERYLLIUM COPPER



73386-0320	BAG
PART NO.	PACKAGING

CHG: REGENERATED DWG PER RF15-E417	EC NO: URF2016-0449	DRAWN BY: DRWINRYEH	CHKD: CHKD:	APPR: YCHENG	DESCRIPTION: 2015/12/16	QUALITY SYMBOLS ▽=0 ▽=0 ▽=0	GENERAL TOLERANCES (UNLESS SPECIFIED)		DIMENSION STYLE IN/MM		SCALE 8:1	DESIGN UNITS INCH	THIRD ANGLE PROJECTION
							mm	INCH	DRAWN BY GH	DATE	TITLE BSA MMCX PLUG REV POL TO SMA PLUG 50 OHMS BSA-MMCXP/SMAP		
4 PLACES ± --- ± ---							3 PLACES ± --- ± ---		CHECKED BY KERRIE CHEN		DATE 2015/12/16		molex
2 PLACES ± --- ± ---							1 PLACE ± --- ± ---		APPROVED BY		DATE 2000/05/18		
0 PLACE ± --- ± ---							ANGULAR ±1/2°		MATERIAL NO. SEE TABLE		DOCUMENT NO. SD-73386-032		SHEET NO. 1 OF 1
DRAFT WHERE APPLICABLE MUST REMAIN WITHIN DIMENSIONS							SIZE C		THIS DRAWING CONTAINS INFORMATION THAT IS PROPRIETARY TO MOLEX INCORPORATED AND SHOULD NOT BE USED WITHOUT WRITTEN PERMISSION				