



Chipsmall Limited consists of a professional team with an average of over 10 year of expertise in the distribution of electronic components. Based in Hongkong, we have already established firm and mutual-benefit business relationships with customers from,Europe,America and south Asia,supplying obsolete and hard-to-find components to meet their specific needs.

With the principle of “Quality Parts,Customers Priority,Honest Operation,and Considerate Service”,our business mainly focus on the distribution of electronic components. Line cards we deal with include Microchip,ALPS,ROHM,Xilinx,Pulse,ON,Everlight and Freescale. Main products comprise IC,Modules,Potentiometer,IC Socket,Relay,Connector.Our parts cover such applications as commercial,industrial, and automotives areas.

We are looking forward to setting up business relationship with you and hope to provide you with the best service and solution. Let us make a better world for our industry!



Contact us

Tel: +86-755-8981 8866 Fax: +86-755-8427 6832

Email & Skype: info@chipsmall.com Web: www.chipsmall.com

Address: A1208, Overseas Decoration Building, #122 Zhenhua RD., Futian, Shenzhen, China



MATERIALS AND FINISHES

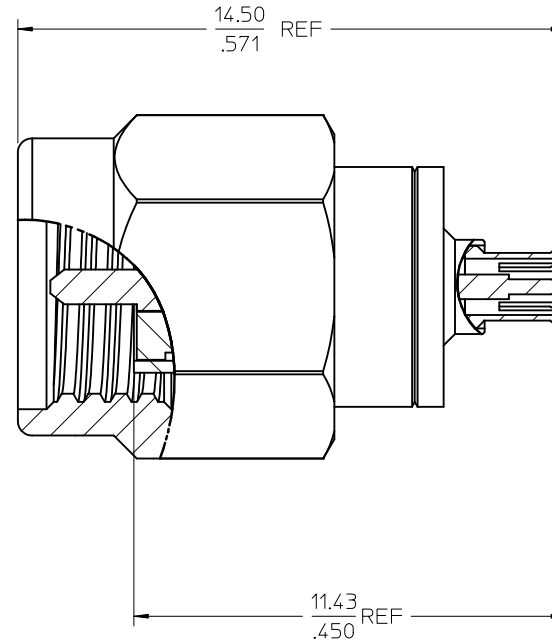
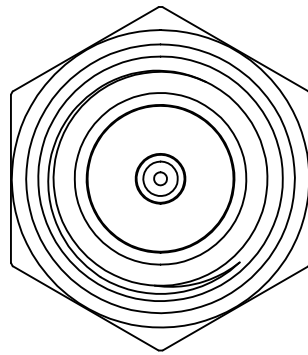
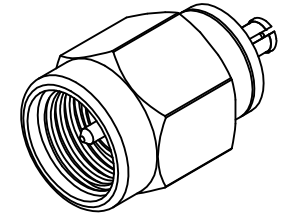
COUPLING NUT BRASS
PLATED GOLD

BODY BRASS
PLATED GOLD

CENTER CONTACT BRASS
PLATED GOLD

OUTER CONTACT BeCu
PLATED GOLD

INSULATOR TEFLON



73386-0831	73386-0830 ONE PIECE PER BAG
73386-0830	STANDARD
PART NO.	PACKAGING

ES-73599-0009-0001	INTERFACE SSMCX PLUG
MIL-STD-348A, FIG. 310.1	INTERFACE SMA PLUG
SPECIFICATION	DESCRIPTION

CHG: ADDED -0831
SINGLE BAG
EC NO: URF2011-0651
DRWN:JLEE02 2011/05/04
CHKD:SSS 2011/05/04
APPR:JWIENER 2011/05/05
REV DESCRIPTION

QUALITY SYMBOLS
▽=0
▽=0

GENERAL TOLERANCES (UNLESS SPECIFIED)

	mm	INCH
4 PLACES	± .005	± .0002
3 PLACES	± .005	± .0002
2 PLACES	± .005	± .0002
1 PLACE	± .005	± .0002

ANGULAR ± .2 °

DRAFT WHERE APPLICABLE
MUST REMAIN
WITHIN DIMENSIONS

DIMENSION STYLE
MM/IN

DRAWN BY	DATE
JOHN	2004/5/27
CHECKED BY	DATE
PAT	2004/5/27
APPROVED BY	DATE
MI SEN	2005/4/27

MATERIAL NO.
SEE TABLE

SIZE
C

SCALE
DESIGN UNITS
METRIC

THIRD ANGLE PROJECTION

TITLE
SSMCX ADAPTER
SSMCX PLUG TO SMA PLUG
BSA-SSMCX/SMA

MOLEX INCORPORATED

DOCUMENT NO.
SD-73386-083

SHEET NO.
1 OF 1

THIS DRAWING CONTAINS INFORMATION THAT IS PROPRIETARY TO MOLEX INCORPORATED AND SHOULD NOT BE USED WITHOUT WRITTEN PERMISSION