



Chipsmall Limited consists of a professional team with an average of over 10 year of expertise in the distribution of electronic components. Based in Hongkong, we have already established firm and mutual-benefit business relationships with customers from,Europe,America and south Asia,supplying obsolete and hard-to-find components to meet their specific needs.

With the principle of "Quality Parts,Customers Priority,Honest Operation,and Considerate Service",our business mainly focus on the distribution of electronic components. Line cards we deal with include Microchip,ALPS,ROHM,Xilinx,Pulse,ON,Everlight and Freescale. Main products comprise IC,Modules,Potentiometer,IC Socket,Relay,Connector.Our parts cover such applications as commercial,industrial, and automotives areas.

We are looking forward to setting up business relationship with you and hope to provide you with the best service and solution. Let us make a better world for our industry!



## Contact us

Tel: +86-755-8981 8866 Fax: +86-755-8427 6832

Email & Skype: info@chipsmall.com Web: www.chipsmall.com

Address: A1208, Overseas Decoration Building, #122 Zhenhua RD., Futian, Shenzhen, China



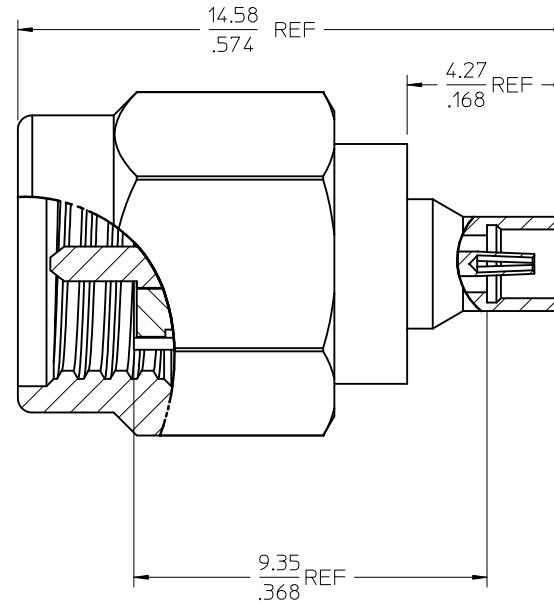
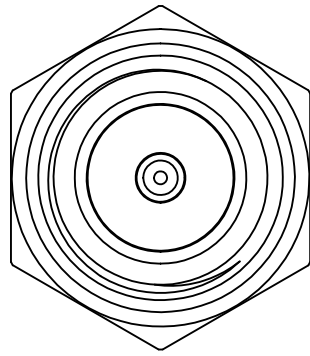
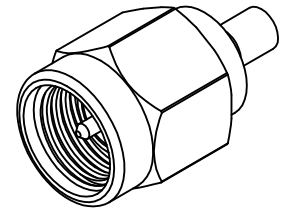
MATERIALS AND FINISHES

COUPLING NUT BRASS  
PLATED GOLD

BODY BRASS  
PLATED GOLD

CENTER CONTACT BeCu  
PLATED GOLD

INSULATOR TEFLON



73386-0841	73386-0840 ONE PIECE PER BAG
73386-0840	STANDARD
PART NO.	PACKAGING

ES-73599-0009-0011	INTERFACE SSMCX JACK
MIL-STD-348A, FIG. 310.1	INTERFACE SMA PLUG
SPECIFICATION	DESCRIPTION

CHG: MATERIAL NO.  
WAS 733860830.  
ADDED -0841 SINGLE  
BAG

EC NO: URF2011-0651  
DRWN:JLEE02 2011/05/04  
CHKD:SSS 2011/05/04  
APPR:JWIENER 2011/05/05

QUALITY SYMBOLS  
▽=0  
▽=0

GENERAL TOLERANCES (UNLESS SPECIFIED)

	mm	INCH
4 PLACES	± .005	± .0002
3 PLACES	± .003	± .0001
2 PLACES	± 0.10	± .004
1 PLACE	± 0.13	± .005

ANGULAR ± 2 °

DRAFT WHERE APPLICABLE  
MUST REMAIN  
WITHIN DIMENSIONS

DIMENSION STYLE  
MM/IN

DRAWN BY	DATE
JOHN	2004/12/12
CHECKED BY	DATE
JOHNSON	2004/12/12
APPROVED BY	DATE
MISEN	2004/12/12

MATERIAL NO.  
SEE TABLE

SCALE  
METRIC

DESIGN UNITS  
METRIC

THIRD ANGLE PROJECTION

TITLE  
SSMCX ADAPTER  
SSMCX JACK TO SMA PLUG  
BSA-SSMCX/SMA

MOLEX MOLEX INCORPORATED

DOCUMENT NO.  
SD-73386-084

SHEET NO.  
1 OF 1

THIS DRAWING CONTAINS INFORMATION THAT IS PROPRIETARY TO MOLEX INCORPORATED AND SHOULD NOT BE USED WITHOUT WRITTEN PERMISSION