



Chipsmall Limited consists of a professional team with an average of over 10 year of expertise in the distribution of electronic components. Based in Hongkong, we have already established firm and mutual-benefit business relationships with customers from,Europe,America and south Asia,supplying obsolete and hard-to-find components to meet their specific needs.

With the principle of “Quality Parts,Customers Priority,Honest Operation,and Considerate Service”,our business mainly focus on the distribution of electronic components. Line cards we deal with include Microchip,ALPS,ROHM,Xilinx,Pulse,ON,Everlight and Freescale. Main products comprise IC,Modules,Potentiometer,IC Socket,Relay,Connector.Our parts cover such applications as commercial,industrial, and automotives areas.

We are looking forward to setting up business relationship with you and hope to provide you with the best service and solution. Let us make a better world for our industry!



Contact us

Tel: +86-755-8981 8866 Fax: +86-755-8427 6832

Email & Skype: info@chipsmall.com Web: www.chipsmall.com

Address: A1208, Overseas Decoration Building, #122 Zhenhua RD., Futian, Shenzhen, China



MATERIAL AND FINISHES

BODY: STAINLESS STEEL
PASSIVATED

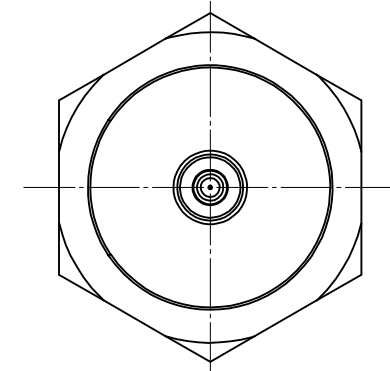
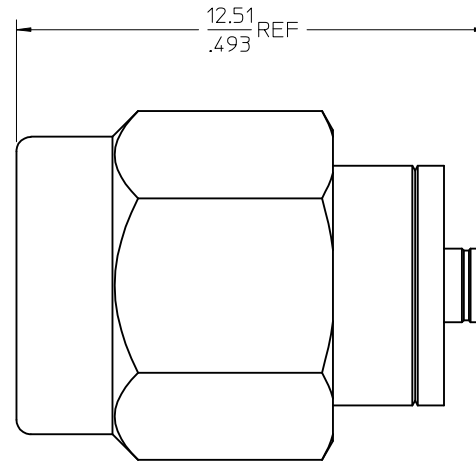
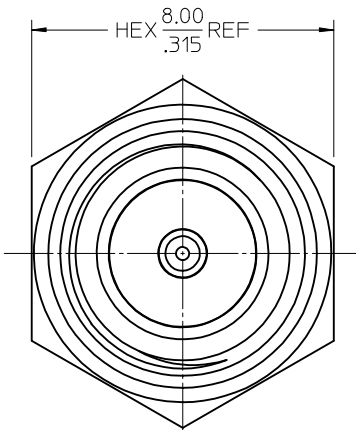
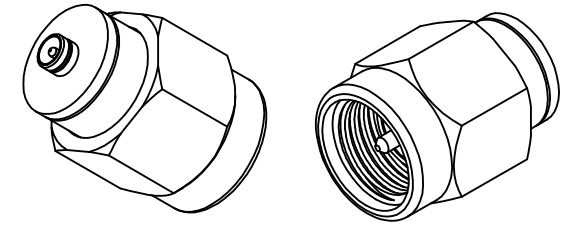
CONTACT: BRASS
PLATED GOLD

INSULATOR: TEFLON

COUPLING NUT: BRASS
PLATED NICKEL

SNAP RING: BERYLLIUM COPPER

GASKET: SILICONE RUBBER



73386-0851	73386-0850 ONE PIECE PER BAG
73386-0850	TRAY
PART NO.	PACKAGING

CHG: UPDATED TITLE & PACKAGING PER RF15-E332 EC NO: URF2016-0227 DRWR:YEH 2015/09/21 CHKD: APPR:YCHENG 2015/09/24	QUALITY SYMBOLS	GENERAL TOLERANCES (UNLESS SPECIFIED)	DIMENSION STYLE	SCALE	DESIGN UNITS	THIRD ANGLE PROJECTION
	▽=0	mm INCH	MM/IN	10:1	METRIC	
	▽=0	4 PLACES ± --- ± ---	DRAWN BY DATE	TITLE		
	▽=0	3 PLACES ± --- ± ---	JOHN 2004/05/28	BSA SMA PLUG TO MCRF PLUG 50 OHMS BSA-SMAP/MCRFP		
		2 PLACES ± 0.10 ± ---	CHECKED BY DATE	molex DOCUMENT NO. SD-73386-085 SHEET NO. 1 OF 1		
		1 PLACE ± 0.13 ± ---	KENNY 2004/05/28			
		0 PLACE ± ±	APPROVED BY DATE			
		ANGULAR ± 2 °	MISEN 2004/05/28			
		DRAFT WHERE APPLICABLE MUST REMAIN WITHIN DIMENSIONS	MATERIAL NO.			
			SEE TABLE			
			SIZE C	THIS DRAWING CONTAINS INFORMATION THAT IS PROPRIETARY TO MOLEX INCORPORATED AND SHOULD NOT BE USED WITHOUT WRITTEN PERMISSION		