



Chipsmall Limited consists of a professional team with an average of over 10 year of expertise in the distribution of electronic components. Based in Hongkong, we have already established firm and mutual-benefit business relationships with customers from,Europe,America and south Asia,supplying obsolete and hard-to-find components to meet their specific needs.

With the principle of “Quality Parts,Customers Priority,Honest Operation,and Considerate Service”,our business mainly focus on the distribution of electronic components. Line cards we deal with include Microchip,ALPS,ROHM,Xilinx,Pulse,ON,Everlight and Freescale. Main products comprise IC,Modules,Potentiometer,IC Socket,Relay,Connector.Our parts cover such applications as commercial,industrial, and automotives areas.

We are looking forward to setting up business relationship with you and hope to provide you with the best service and solution. Let us make a better world for our industry!



## Contact us

Tel: +86-755-8981 8866 Fax: +86-755-8427 6832

Email & Skype: info@chipsmall.com Web: www.chipsmall.com

Address: A1208, Overseas Decoration Building, #122 Zhenhua RD., Futian, Shenzhen, China

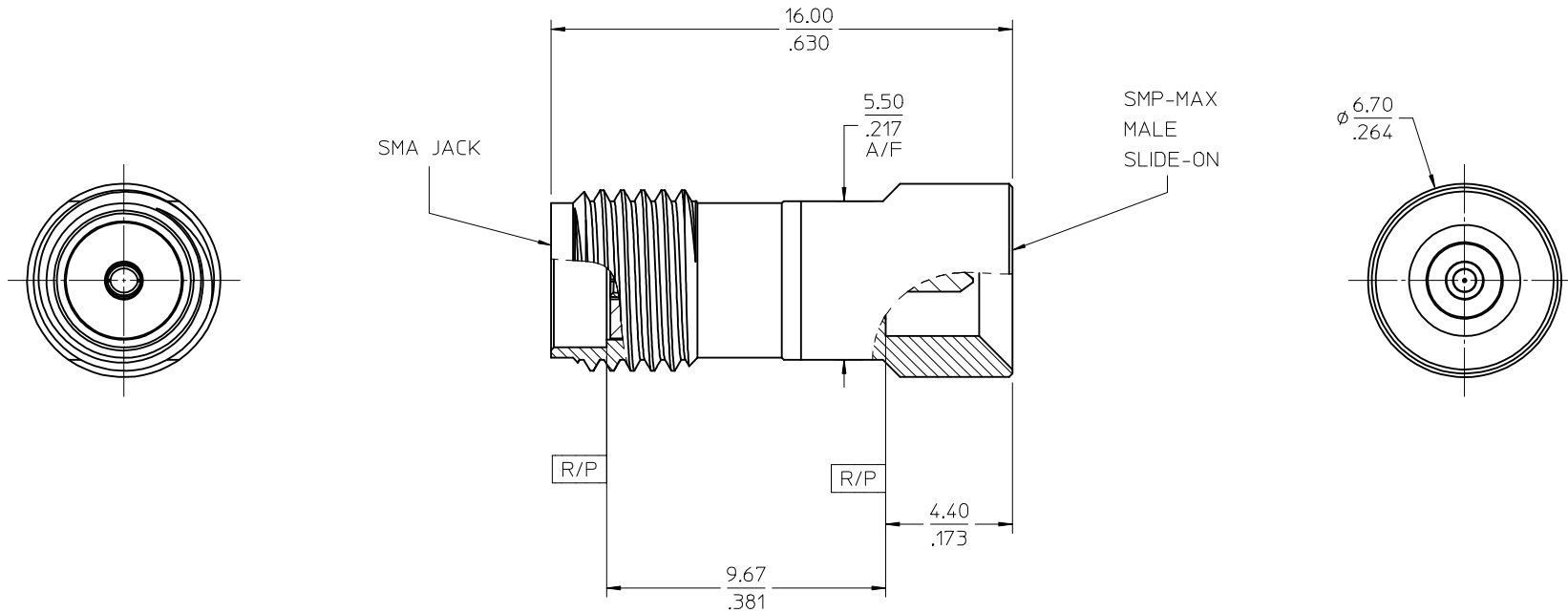
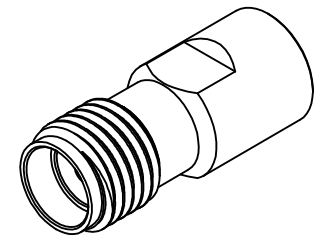


MATERIALS AND FINISHES

BODY: BRASS  
PLATED GOLD

CENTER CONTACT: BERYLLIUM COPPER  
PLATED GOLD

INSULATORS: TEFLON



73386-1570	TRAY
PART NO.	PACKAGING

MIL-STD-348A, FIG. 310.2	SMA INTERFACE	CHG: ADD PACKAGING PER RF15-E267 EC NO: URF2016-0074 2015/08/03 DRW:YEH 2015/08/05 CHKD: APPR:YCHENG 2015/08/05	QUALITY SYMBOLS 	GENERAL TOLERANCES (UNLESS SPECIFIED) <table border="1"> <thead> <tr> <th></th> <th>mm</th> <th>INCH</th> </tr> </thead> <tbody> <tr> <td>4 PLACES</td> <td>± .005</td> <td>± .0002</td> </tr> <tr> <td>3 PLACES</td> <td>± .005</td> <td>± .0002</td> </tr> <tr> <td>2 PLACES</td> <td>± .005</td> <td>± .0002</td> </tr> <tr> <td>1 PLACE</td> <td>± .005</td> <td>± .0002</td> </tr> <tr> <td>0 PLACE</td> <td>± .005</td> <td>± .0002</td> </tr> </tbody> </table>		mm	INCH	4 PLACES	± .005	± .0002	3 PLACES	± .005	± .0002	2 PLACES	± .005	± .0002	1 PLACE	± .005	± .0002	0 PLACE	± .005	± .0002	DIMENSION STYLE MM/IN DRAWN BY: AROBERTSON DATE: 2011/09/19 CHECKED BY: SSS DATE: 2011/09/19 APPROVED BY: JWIENER DATE: 2011/09/19	SCALE: 8:1 DESIGN UNITS: METRIC THIRD ANGLE PROJECTION	TITLE SMA JACK TO SMP-MAX MALE SLIDE-ON BSA BSA-SMA/SMPMAX, EWR-4793 <b>molex</b>	MATERIAL NO. SEE TABLE	DOCUMENT NO. SD-73386-157	SHEET NO. 1 OF 1
					mm	INCH																						
4 PLACES	± .005	± .0002																										
3 PLACES	± .005	± .0002																										
2 PLACES	± .005	± .0002																										
1 PLACE	± .005	± .0002																										
0 PLACE	± .005	± .0002																										
SPECIFICATION	DESCRIPTION	A1 DRAFT WHERE APPLICABLE MUST REMAIN WITHIN DIMENSIONS	THIS DRAWING CONTAINS INFORMATION THAT IS PROPRIETARY TO MOLEX INCORPORATED AND SHOULD NOT BE USED WITHOUT WRITTEN PERMISSION																									