



Chipsmall Limited consists of a professional team with an average of over 10 year of expertise in the distribution of electronic components. Based in Hongkong, we have already established firm and mutual-benefit business relationships with customers from,Europe,America and south Asia,supplying obsolete and hard-to-find components to meet their specific needs.

With the principle of "Quality Parts,Customers Priority,Honest Operation,and Considerate Service",our business mainly focus on the distribution of electronic components. Line cards we deal with include Microchip,ALPS,ROHM,Xilinx,Pulse,ON,Everlight and Freescale. Main products comprise IC,Modules,Potentiometer,IC Socket,Relay,Connector.Our parts cover such applications as commercial,industrial, and automotives areas.

We are looking forward to setting up business relationship with you and hope to provide you with the best service and solution. Let us make a better world for our industry!



Contact us

Tel: +86-755-8981 8866 Fax: +86-755-8427 6832

Email & Skype: info@chipsmall.com Web: www.chipsmall.com

Address: A1208, Overseas Decoration Building, #122 Zhenhua RD., Futian, Shenzhen, China



MATERIALS AND FINISHES

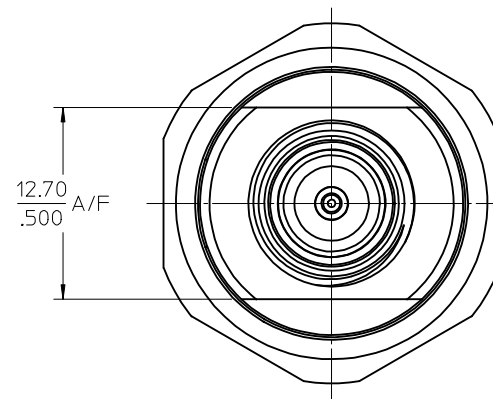
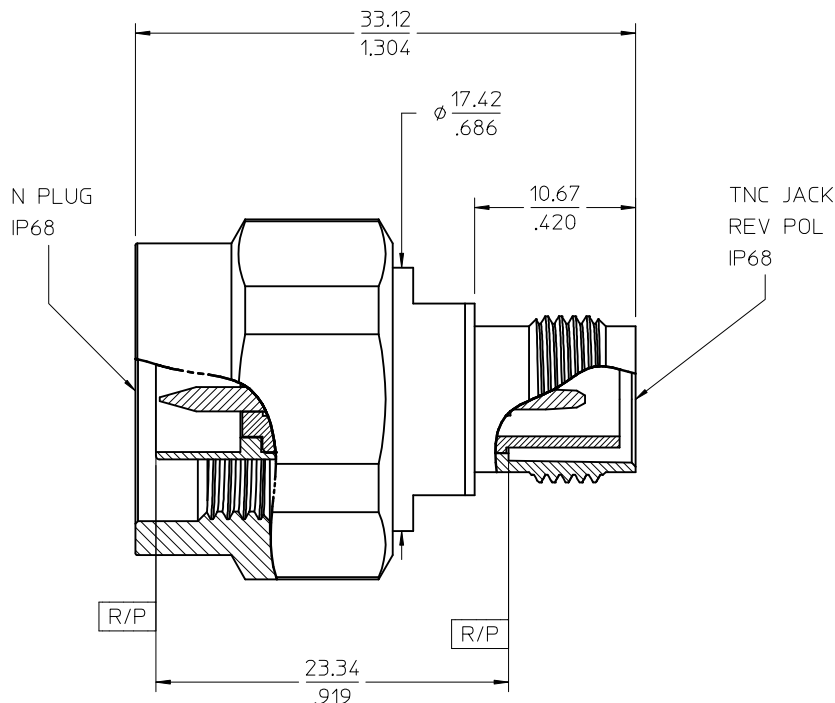
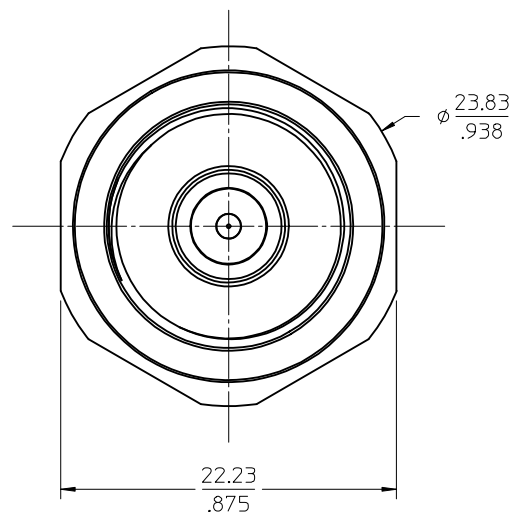
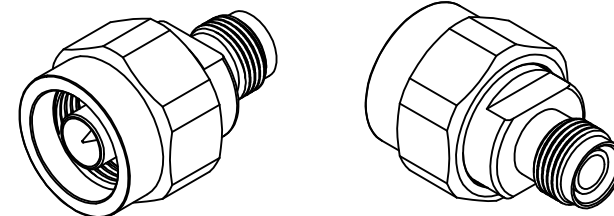
BODY, COUPLING NUT: BRASS
PLATED NICKEL

CONTACT: BRASS
PLATED GOLD

INSULATOR: TEFLON

GASKET: SILICONE RUBBER

PACKAGING: BY TRAY



PART # 73386-1580

CHG: ADD PKG PER RF15-E278 EC NO: URF2016-0091 DRW: CWE102 2015/08/06 CHKD: APPR: YCHENG 2015/08/07	QUALITY SYMBOLS ▽=0 ▽=0 ▽=0	GENERAL TOLERANCES (UNLESS SPECIFIED)		DIMENSION STYLE MM/IN		SCALE	DESIGN UNITS INCH	THIRD ANGLE PROJECTION			
		4 PLACES ± --- ± ---	mm INCH	DRAWN BY AROBERTSON	DATE 2012/01/16	TITLE N PLUG TO TNC JACK RP STRAIGHT IP68 BSA-N/TNC, EWR-4873					
		3 PLACES ± --- ± ---		CHECKED BY SSS	DATE 2012/01/16	MATERIAL NO. 733861580					
		2 PLACES ± --- ± ---		APPROVED BY JW IENER	DATE 2012/01/30	DOCUMENT NO. SD-73386-158					
1 PLACE ± --- ± ---		ANGULAR ± 2 °		DRAFT WHERE APPLICABLE MUST REMAIN WITHIN DIMENSIONS		SHEET NO. 1 OF 1		THIS DRAWING CONTAINS INFORMATION THAT IS PROPRIETARY TO MOLEX INCORPORATED AND SHOULD NOT BE USED WITHOUT WRITTEN PERMISSION			
0 PLACE ± ±											