



Chipsmall Limited consists of a professional team with an average of over 10 year of expertise in the distribution of electronic components. Based in Hongkong, we have already established firm and mutual-benefit business relationships with customers from,Europe,America and south Asia,supplying obsolete and hard-to-find components to meet their specific needs.

With the principle of "Quality Parts,Customers Priority,Honest Operation,and Considerate Service",our business mainly focus on the distribution of electronic components. Line cards we deal with include Microchip,ALPS,ROHM,Xilinx,Pulse,ON,Everlight and Freescale. Main products comprise IC,Modules,Potentiometer,IC Socket,Relay,Connector.Our parts cover such applications as commercial,industrial, and automotives areas.

We are looking forward to setting up business relationship with you and hope to provide you with the best service and solution. Let us make a better world for our industry!



Contact us

Tel: +86-755-8981 8866 Fax: +86-755-8427 6832

Email & Skype: info@chipsmall.com Web: www.chipsmall.com

Address: A1208, Overseas Decoration Building, #122 Zhenhua RD., Futian, Shenzhen, China



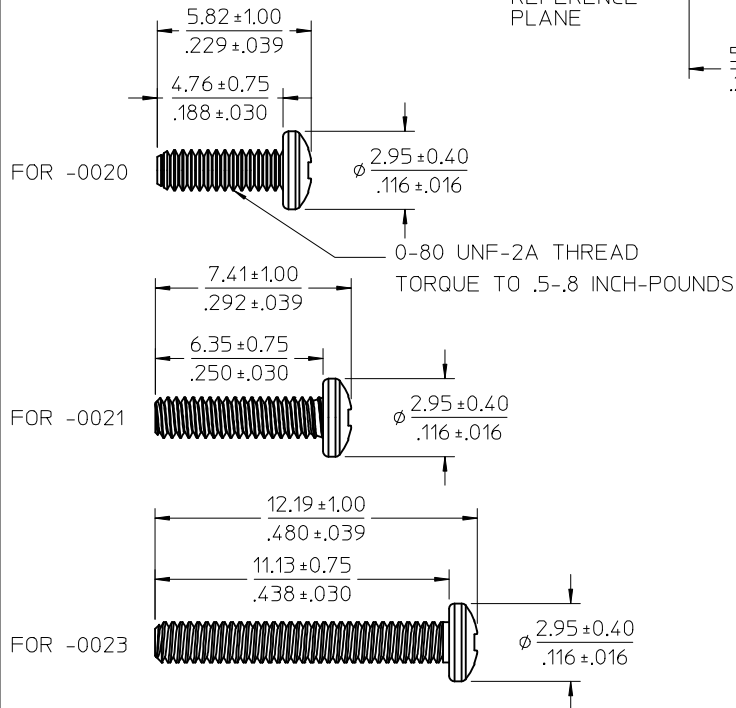
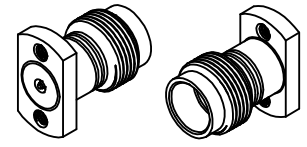
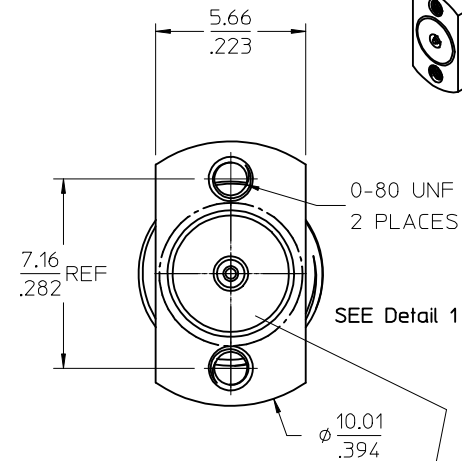
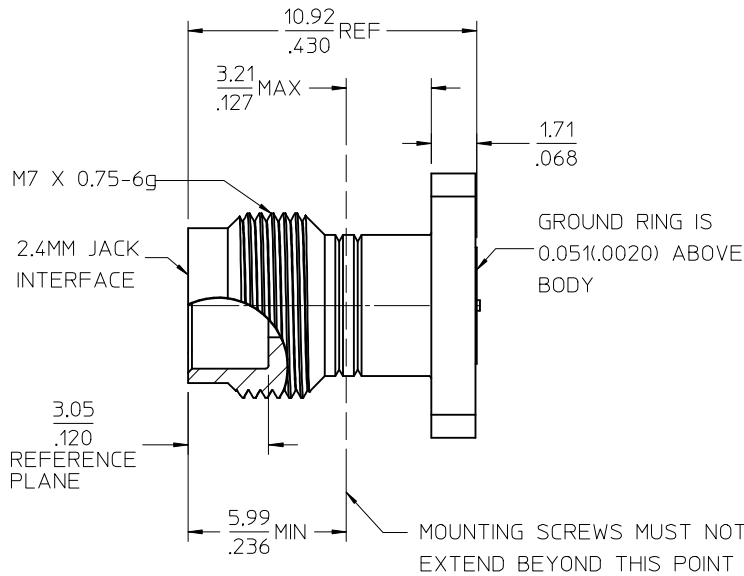
MATERIALS AND FINISHES:

BODY: STAINLESS STEEL
PASSIVATE

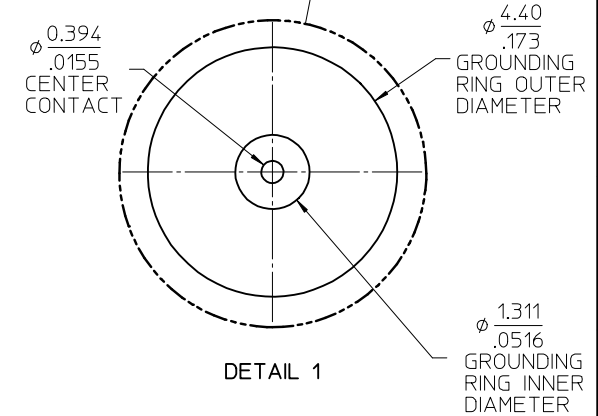
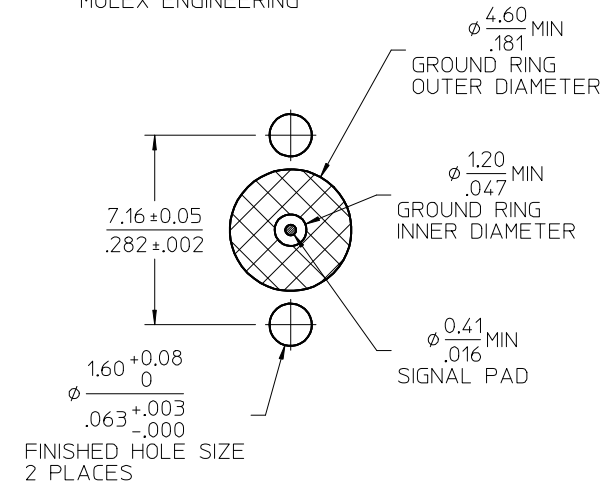
CENTER CONTACT: BERYLLIUM COPPER
PLATED: GOLD (30μ-in) MIN
OVER NICKEL (100μ-in) MIN.

INSULATOR: PTFE

SCREW: STEEL
PASSIVATE
SEE AS-89675-446 FOR INSTRUCTIONS ON
MOUNTING CONNECTOR ON A PCB



GENERAL PCB LAYOUT RECOMMENDATIONS
FOR OPTIMIZED LAYOUTS, CONTACT
MOLEX ENGINEERING



73387-0023	WITH TWO 11.1/438 SCREWS	6.40(.252) TO 8.94(.352)
73387-0022	SCREWS NOT INCLUDED	N/A
73387-0021	WITH TWO 6.35/.25 SCREWS	1.96(.077) TO 3.99(.157)
73387-0020	WITH TWO 4.76/.19 SCREWS	0.56(.022) TO 2.54(.100)
PART NO.	DESCRIPTION	PCB THICKNESS

MIL-STD-348B, FIG 72	INTERFACE
SPECIFICATION	DESCRIPTION

CHG: DRW VIEW UPD. ADD GEN TOL VALUE & DIA FOR C'SINK HOLES ON BODY. EC NO: URF2016-0157 DRWIN:APRAKASHO1 2015/09/02 CHKD:LLM 2015/09/02 APPR:AROBERTSON 2015/09/15 DESCRIPTION REV D5	QUALITY SYMBOLS ▽=0 ▽=0	GENERAL TOLERANCES (UNLESS SPECIFIED) mm INCH 4 PLACES ± --- ± --- 3 PLACES ± --- ± 0.010 2 PLACES ± 0.25 ± --- 1 PLACE ± --- ± --- ANGULAR ± 2 °	DIMENSION STYLE MM/IN DRAWN BY DATE JLEE02 2010/04/20 CHECKED BY DATE SSS 2010/04/20 APPROVED BY DATE JW IENER 2010/10/27	SCALE DESIGN UNITS METRIC THIRD ANGLE PROJECTION	TITLE 2.4MM JACK VERTICAL PCB 50 OHM, COMPRESSION EWR-4172, 2.4MM-JR/PCB
	DRAFT WHERE APPLICABLE MUST REMAIN WITHIN DIMENSIONS	MATERIAL NO. SEE TABLE SIZE C	DOCUMENT NO. SD-73387-002 SHEET NO. 1 OF 1	MOLEX INCORPORATED THIS DRAWING CONTAINS INFORMATION THAT IS PROPRIETARY TO MOLEX INCORPORATED AND SHOULD NOT BE USED WITHOUT WRITTEN PERMISSION	