



Chipsmall Limited consists of a professional team with an average of over 10 year of expertise in the distribution of electronic components. Based in Hongkong, we have already established firm and mutual-benefit business relationships with customers from,Europe,America and south Asia,supplying obsolete and hard-to-find components to meet their specific needs.

With the principle of “Quality Parts,Customers Priority,Honest Operation,and Considerate Service”,our business mainly focus on the distribution of electronic components. Line cards we deal with include Microchip,ALPS,ROHM,Xilinx,Pulse,ON,Everlight and Freescale. Main products comprise IC,Modules,Potentiometer,IC Socket,Relay,Connector.Our parts cover such applications as commercial,industrial, and automotives areas.

We are looking forward to setting up business relationship with you and hope to provide you with the best service and solution. Let us make a better world for our industry!



Contact us

Tel: +86-755-8981 8866 Fax: +86-755-8427 6832

Email & Skype: info@chipsmall.com Web: www.chipsmall.com

Address: A1208, Overseas Decoration Building, #122 Zhenhua RD., Futian, Shenzhen, China



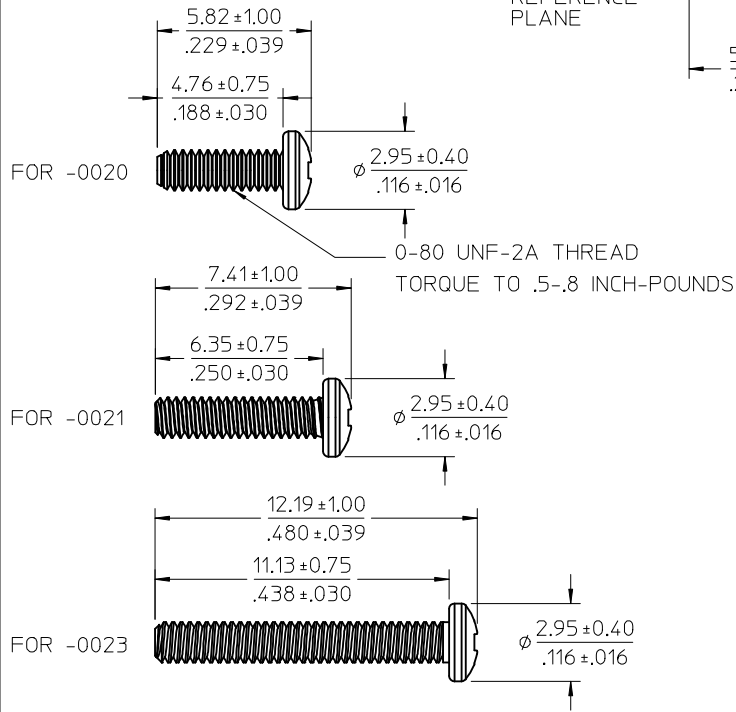
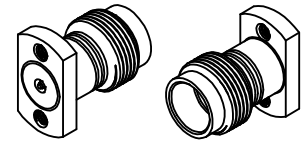
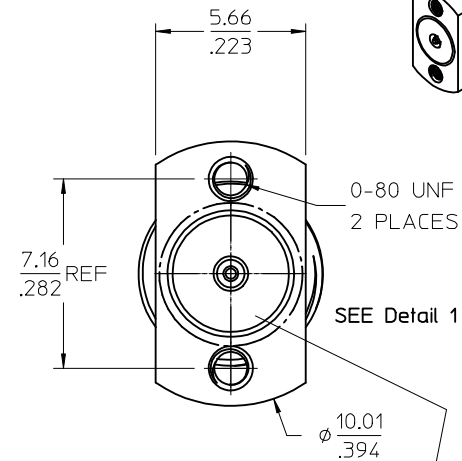
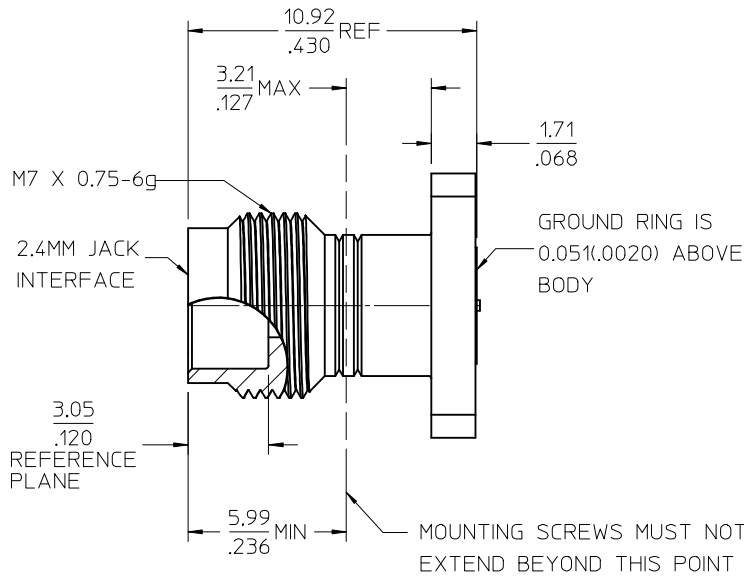
MATERIALS AND FINISHES:

BODY: STAINLESS STEEL
PASSIVATE

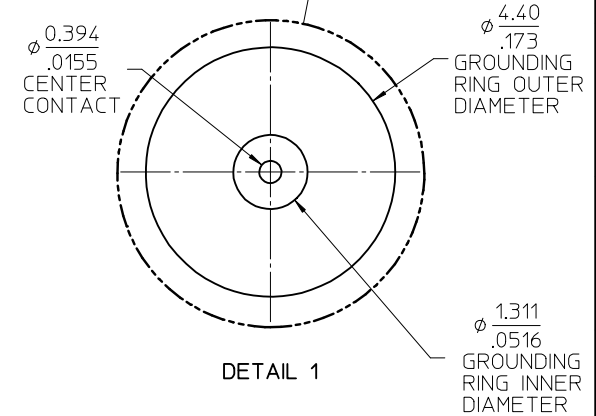
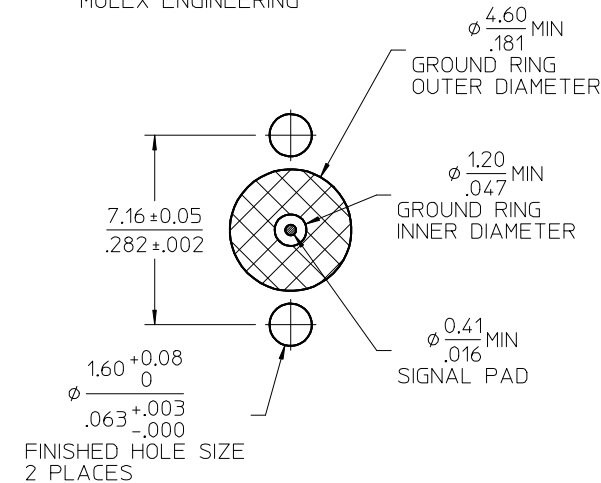
CENTER CONTACT: BERYLLIUM COPPER
PLATED: GOLD (30μ-in) MIN
OVER NICKEL (100μ-in) MIN.

INSULATOR: PTFE

SCREW: STEEL
PASSIVATE
SEE AS-89675-446 FOR INSTRUCTIONS ON
MOUNTING CONNECTOR ON A PCB



GENERAL PCB LAYOUT RECOMMENDATIONS
FOR OPTIMIZED LAYOUTS, CONTACT
MOLEX ENGINEERING



73387-0023	WITH TWO 11.1/438 SCREWS	6.40(.252) TO 8.94(.352)
73387-0022	SCREWS NOT INCLUDED	N/A
73387-0021	WITH TWO 6.35/.25 SCREWS	1.96(.077) TO 3.99(.157)
73387-0020	WITH TWO 4.76/.19 SCREWS	0.56(.022) TO 2.54(.100)
PART NO.	DESCRIPTION	PCB THICKNESS

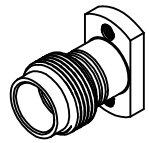
MIL-STD-348B, FIG 72	INTERFACE
SPECIFICATION	DESCRIPTION

CHG: DRW VIEW UPD. ADD GEN TOL VALUE & DIA FOR C'SINK & HOLES ON BODY. EC NO: URF2016-0157 DRW:APRASHO1 2015/09/02 CHKD:LLM 2015/09/02 APPR:AROBERTSON 2015/09/15	DESCRIPTION
REV	D5

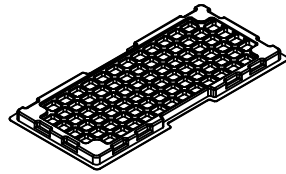
QUALITY SYMBOLS	GENERAL TOLERANCES (UNLESS SPECIFIED)
▽=0	mm INCH
▽=0	4 PLACES ± --- ± ---
	3 PLACES ± --- ± 0.010
	2 PLACES ± 0.25 ± ---
	1 PLACE ± --- ± ---
	ANGULAR ± 2 °
	DRAFT WHERE APPLICABLE MUST REMAIN WITHIN DIMENSIONS

DIMENSION STYLE	SCALE	DESIGN UNITS	THIRD ANGLE PROJECTION
MM/IN		METRIC	
DRAWN BY	DATE	TITLE	
JLEE02	2010/04/20	2.4MM JACK VERTICAL PCB	
CHECKED BY	DATE	50 OHM, COMPRESSION	
SSS	2010/04/20	EWR-4172, 2.4MM-JR/PCB	
APPROVED BY	DATE	MATERIAL NO.	DOCUMENT NO.
JWIENER	2010/10/27	SEE TABLE	SD-73387-002
SIZE			SHEET NO.
C			1 OF 1

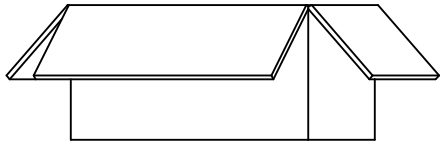
MOLEX INCORPORATED	
THIS DRAWING CONTAINS INFORMATION THAT IS PROPRIETARY TO MOLEX INCORPORATED AND SHOULD NOT BE USED WITHOUT WRITTEN PERMISSION	



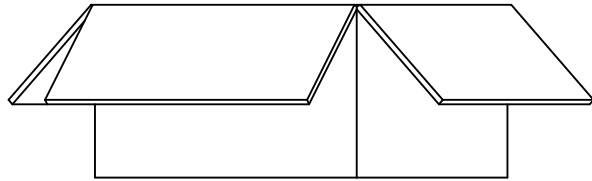
P/N 73387-0021



80 SETS PER TRAY
TRAY P/N 89707-0190



1360 SETS PER INNER
CARTON BOX
P/N 96707-0001



2720 SETS PER OUTER
CARTON BOX
P/N 96708-0005

RTM PER RF15-E273
EC NO: URF2016-0085
DRWN:CWE102 2015/08/06
CHKD:
APPR:YCHENG 2015/08/12

REV	DESCRIPTION
A	

QUALITY SYMBOLS	

GENERAL TOLERANCES (UNLESS SPECIFIED)		
	mm	INCH
4 PLACES	± .005	± .0002
3 PLACES	± .005	± .0002
2 PLACES	± .005	± .0002
1 PLACE	± .005	± .0002
0 PLACE	± .005	± .0002

DIMENSION STYLE		SCALE	DESIGN UNITS	THIRD ANGLE PROJECTION
MM/IN			METRIC	
DRAWN BY	DATE	TITLE		
CWE102	2015/08/06	PACKAGING FOR 73387-0021		
CHECKED BY	DATE	molex		
ALEX LIU	2015/08/06			
APPROVED BY	DATE	DOCUMENT NO. SD-73387-002-PKG		
YCHENG	2015/08/12	SHEET NO. 1 OF 1		
MATERIAL NO. _____				

ANGULAR ± 2 °
DRAFT WHERE APPLICABLE MUST REMAIN WITHIN DIMENSIONS
SIZE C THIS DRAWING CONTAINS INFORMATION THAT IS PROPRIETARY TO MOLEX INCORPORATED AND SHOULD NOT BE USED WITHOUT WRITTEN PERMISSION