



Chipsmall Limited consists of a professional team with an average of over 10 year of expertise in the distribution of electronic components. Based in Hongkong, we have already established firm and mutual-benefit business relationships with customers from,Europe,America and south Asia,supplying obsolete and hard-to-find components to meet their specific needs.

With the principle of "Quality Parts,Customers Priority,Honest Operation,and Considerate Service",our business mainly focus on the distribution of electronic components. Line cards we deal with include Microchip,ALPS,ROHM,Xilinx,Pulse,ON,Everlight and Freescale. Main products comprise IC,Modules,Potentiometer,IC Socket,Relay,Connector.Our parts cover such applications as commercial,industrial, and automotives areas.

We are looking forward to setting up business relationship with you and hope to provide you with the best service and solution. Let us make a better world for our industry!



## Contact us

Tel: +86-755-8981 8866 Fax: +86-755-8427 6832

Email & Skype: info@chipsmall.com Web: www.chipsmall.com

Address: A1208, Overseas Decoration Building, #122 Zhenhua RD., Futian, Shenzhen, China

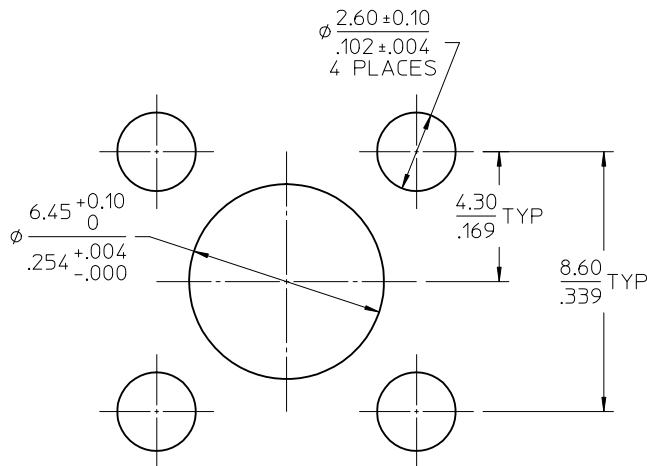
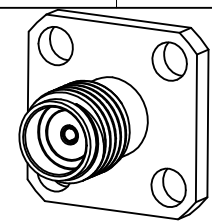


MATERIALS AND FINISHES

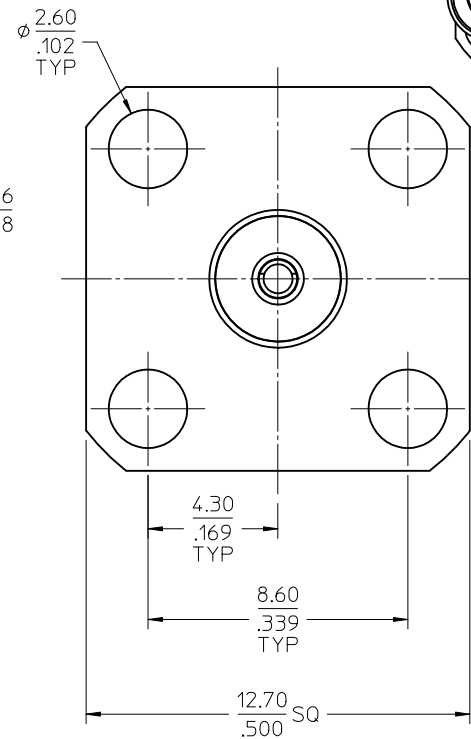
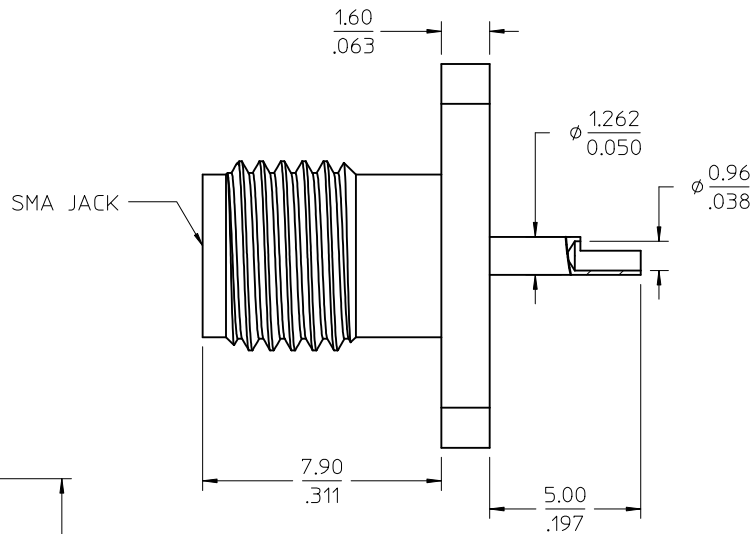
BODY BRASS  
PLATED GOLD

CENTER CONTACT BERYLLIUM COPPER  
PLATED GOLD

INSULATOR TEFLON



RECOMMENDED PANEL CUTOUT  
MAX PANEL THICKNESS: 2.2mm (.087)



LABEL FORMAT FOR  
73391-0042

PART NUMBER: 73391-0040  
ORDER NUMBER: 73391-0042  
MOLEX  
DATE: YYWW

PS-89675-3460	ELECTRICAL/MECHANICAL
MIL-STD-348A, FIG. 310.2	INTERFACE
SPECIFICATION	DESCRIPTION

73391-0042	ONE PIECE PER BAG
73391-0041	SMALL TRAY (20 PIECES)
73391-0040	STANDARD TRAY
PART NO.	PACKAGING

CHG: UPDATE LABEL FOR -0042 EC NO: URF2012-0380 DRWN: BOMALLEY 2012/01/04 CHKD: AZR 2012/01/04 APPR: JWIENER 2012/01/04	QUALITY SYMBOLS ▽=0 ▽=0	DESCRIPTION REV	B3	GENERAL TOLERANCES (UNLESS SPECIFIED)	DIMENSION STYLE MM/IN	SCALE METRIC	DESIGN UNITS METRIC	THIRD ANGLE PROJECTION
				DRAFT WHERE APPLICABLE MUST REMAIN WITHIN DIMENSIONS	SEE TABLE	MOLEX INCORPORATED	SD-73391-004	

DRAWN BY IRIS	DATE 1997/05/27	TITLE SMA JACK RECEPTACLE 4 HOLE FLANGE 50 OHMS SMA-JR EWR-N/A
CHECKED BY SAM	DATE 1997/05/27	
APPROVED BY JWIENER	DATE 2011/04/20	MATERIAL NO. SEE TABLE
DOCUMENT NO. SD-73391-004		SHEET NO. 1 OF 1
THIS DRAWING CONTAINS INFORMATION THAT IS PROPRIETARY TO MOLEX INCORPORATED AND SHOULD NOT BE USED WITHOUT WRITTEN PERMISSION		