



Chipsmall Limited consists of a professional team with an average of over 10 year of expertise in the distribution of electronic components. Based in Hongkong, we have already established firm and mutual-benefit business relationships with customers from,Europe,America and south Asia,supplying obsolete and hard-to-find components to meet their specific needs.

With the principle of “Quality Parts,Customers Priority,Honest Operation,and Considerate Service”,our business mainly focus on the distribution of electronic components. Line cards we deal with include Microchip,ALPS,ROHM,Xilinx,Pulse,ON,Everlight and Freescale. Main products comprise IC,Modules,Potentiometer,IC Socket,Relay,Connector.Our parts cover such applications as commercial,industrial, and automotives areas.

We are looking forward to setting up business relationship with you and hope to provide you with the best service and solution. Let us make a better world for our industry!



Contact us

Tel: +86-755-8981 8866 Fax: +86-755-8427 6832

Email & Skype: info@chipsmall.com Web: www.chipsmall.com

Address: A1208, Overseas Decoration Building, #122 Zhenhua RD., Futian, Shenzhen, China



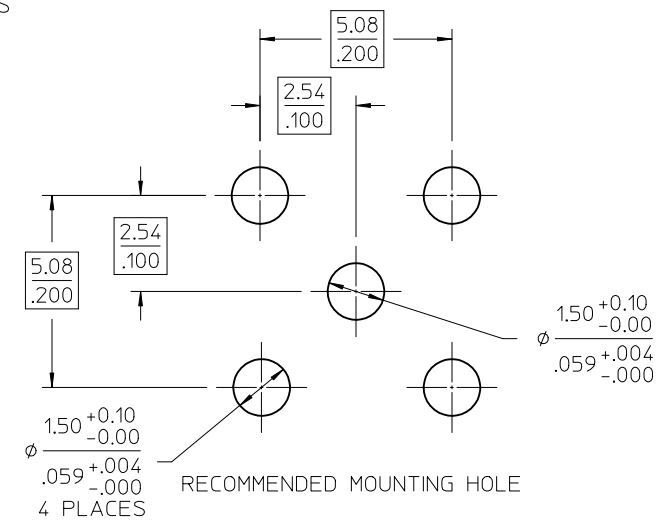
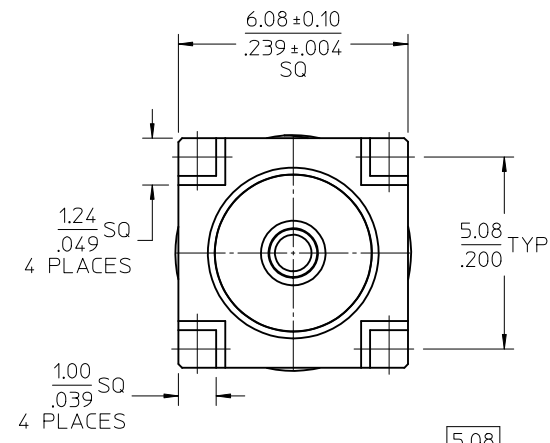
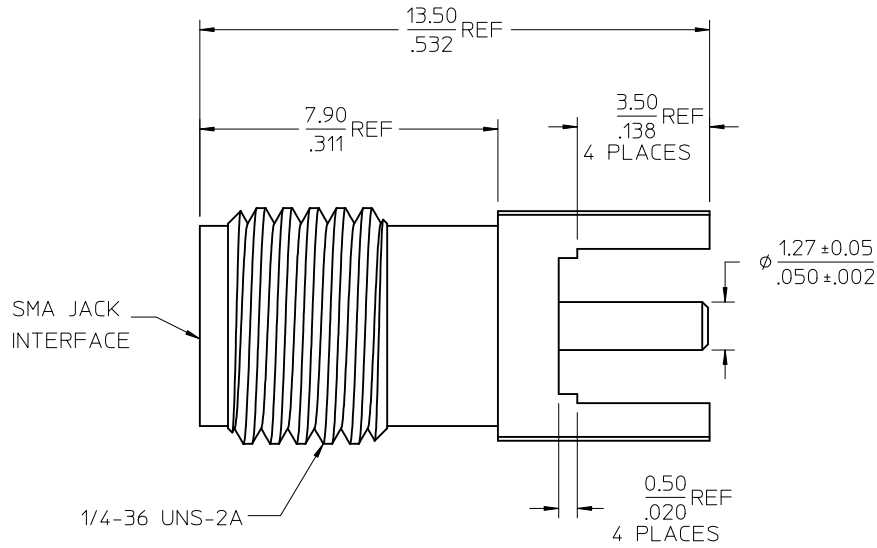
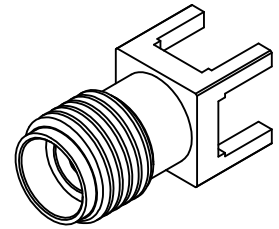
MATERIALS AND FINISHES

BODY: BRASS
PLATED GOLD

CENTER CONTACT: BERYLLIUM COPPER
PLATED GOLD

INSULATOR: TEFLON

PACKAGING: SEE TABLE



PS-89675-346	ELECTRO/MECH. PERFORM.
SPECIFICATION	DESCRIPTION

73391-0072	73391-0070 BY TRAY (20 CAV.)
73391-0071	ONE PIECE 73391-0070 PER BAG
73391-0070	TRAY (80 CAV.)
PART NO.	PACKAGING

CHG: PS WAS 73436-009 EC NO: URF2012-0069 DRWN: WIENER 2011/08/04 CHKD: SSS 2011/08/04 APPR: WIENER 2011/08/10 REV: B4	QUALITY SYMBOLS ▽=0 ▽=0	GENERAL TOLERANCES (UNLESS SPECIFIED) mm INCH 4 PLACES ± --- ± --- 3 PLACES ± --- ± --- 2 PLACES ± --- ± --- 1 PLACE ± --- ± --- ANGULAR ± 2 °	DIMENSION STYLE MM/IN DRAWN BY DATE LYNN 1998/10/19 CHECKED BY DATE XXX 0000/00/00 APPROVED BY DATE XXX 0000/00/00	SCALE DESIGN UNITS METRIC THIRD ANGLE PROJECTION	TITLE SMA JACK VERTICAL PCB 50 OHMS SMA-J/PCB	MATERIAL NO. SEE TABLE	DOCUMENT NO. SD-73391-007	SHEET NO. 1 OF 1
	DRAFT WHERE APPLICABLE MUST REMAIN WITHIN DIMENSIONS		THIS DRAWING CONTAINS INFORMATION THAT IS PROPRIETARY TO MOLEX INCORPORATED AND SHOULD NOT BE USED WITHOUT WRITTEN PERMISSION		MOLEX INCORPORATED		SD-73391-007	