



Chipsmall Limited consists of a professional team with an average of over 10 year of expertise in the distribution of electronic components. Based in Hongkong, we have already established firm and mutual-benefit business relationships with customers from,Europe,America and south Asia,supplying obsolete and hard-to-find components to meet their specific needs.

With the principle of “Quality Parts,Customers Priority,Honest Operation,and Considerate Service”,our business mainly focus on the distribution of electronic components. Line cards we deal with include Microchip,ALPS,ROHM,Xilinx,Pulse,ON,Everlight and Freescale. Main products comprise IC,Modules,Potentiometer,IC Socket,Relay,Connector.Our parts cover such applications as commercial,industrial, and automotives areas.

We are looking forward to setting up business relationship with you and hope to provide you with the best service and solution. Let us make a better world for our industry!



Contact us

Tel: +86-755-8981 8866 Fax: +86-755-8427 6832

Email & Skype: info@chipsmall.com Web: www.chipsmall.com

Address: A1208, Overseas Decoration Building, #122 Zhenhua RD., Futian, Shenzhen, China



MATERIALS AND FINISHES:

BODY ZINC ALLOY
SEE TABLE

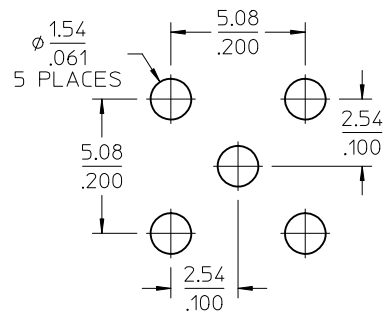
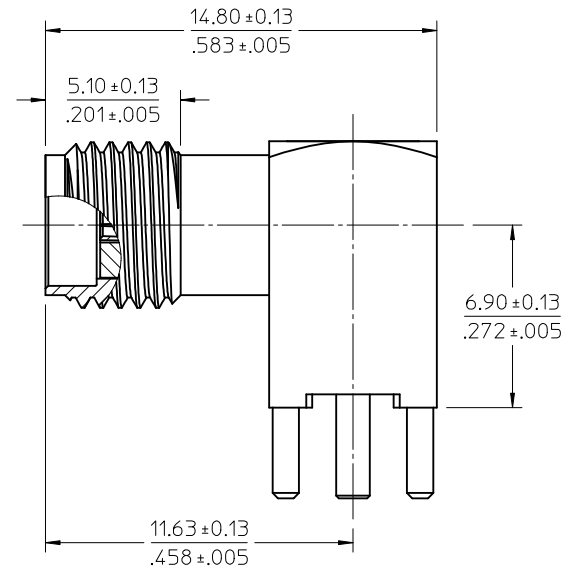
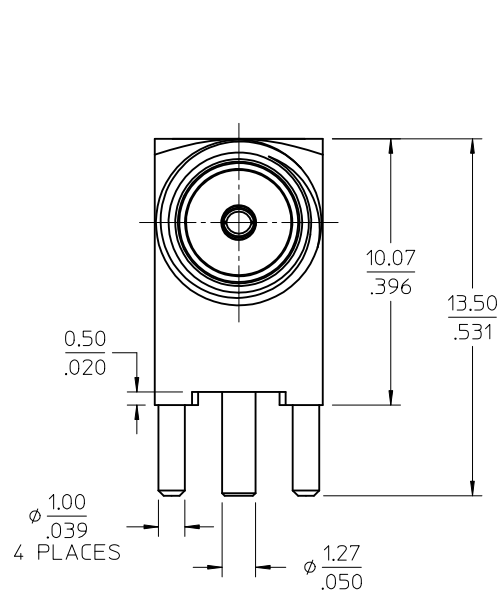
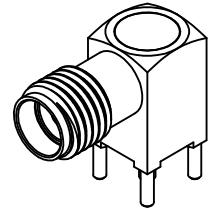
INSULATOR TEFLON

CONTACT (MATING END) BERYLLIUM COPPER
PLATED GOLD

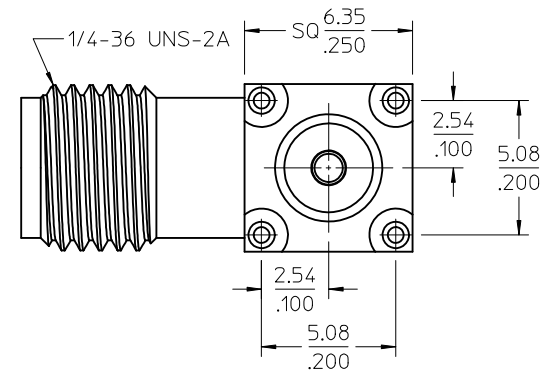
CONTACT (PCB END) BRASS
PLATED GOLD

COVER BRASS
SEE TABLE

PACKAGING SEE TABLE



RECOMMENDED PCB CONFIGURATION



PS-73598-0111	SPECIFICATION
MIL-STD-348A, FIG. 310.1	INTERFACE
SPECIFICATION	DESCRIPTION

73391-0083	BODY, PIN, AND COVER PLATED GOLD 1u" MIN	73391-0083 TRAY (80 CAV.)
73391-0082	BODY, AND COVER PLATED NICKEL	73391-0080 TRAY (20 CAV.)
73391-0081	BODY, PIN, AND COVER PLATED GOLD 10u" MIN	73391-0081 TRAY (80 CAV.)
73391-0080	BODY, AND COVER PLATED NICKEL	73391-0080 TRAY (80 CAV.)
PART NO.	DESCRIPTION	PACHAGING

CHG: REDRAWN AND MEASUREMENT PER RFI2-E034 EC NO: URF2012-0310 DRW:RYEH 2011/12/02 CHKD: APPR:HUANG 2011/12/13 A5	QUALITY SYMBOLS ▽=0 ▽=0	GENERAL TOLERANCES (UNLESS SPECIFIED) mm INCH 4 PLACES ± --- ± --- 3 PLACES ± --- ± --- 2 PLACES ± --- ± --- 1 PLACE ± --- ± --- ANGULAR ± 2 °	DIMENSION STYLE MM/IN DRAWN BY: LYNN LIN DATE: 1998/12/08 CHECKED BY: A. CLARY DATE: 1998/12/08 APPROVED BY: NISEN DATE: 1998/12/08 MATERIAL NO. SEE TABLE DRAFT WHERE APPLICABLE MUST REMAIN WITHIN DIMENSIONS	SCALE: 3.5:1 DESIGN UNITS: METRIC THIRD ANGLE PROJECTION	TITLE: SMA JACK R/A PCB TH 50 OHMS SMA-J/PCB MOLEX INCORPORATED DOCUMENT NO. SD-73391-008 SHEET NO. 1 OF 1
		THIS DRAWING CONTAINS INFORMATION THAT IS PROPRIETARY TO MOLEX INCORPORATED AND SHOULD NOT BE USED WITHOUT WRITTEN PERMISSION			