



Chipsmall Limited consists of a professional team with an average of over 10 year of expertise in the distribution of electronic components. Based in Hongkong, we have already established firm and mutual-benefit business relationships with customers from,Europe,America and south Asia,supplying obsolete and hard-to-find components to meet their specific needs.

With the principle of “Quality Parts,Customers Priority,Honest Operation,and Considerate Service”,our business mainly focus on the distribution of electronic components. Line cards we deal with include Microchip,ALPS,ROHM,Xilinx,Pulse,ON,Everlight and Freescale. Main products comprise IC,Modules,Potentiometer,IC Socket,Relay,Connector.Our parts cover such applications as commercial,industrial, and automotives areas.

We are looking forward to setting up business relationship with you and hope to provide you with the best service and solution. Let us make a better world for our industry!



## Contact us

Tel: +86-755-8981 8866 Fax: +86-755-8427 6832

Email & Skype: info@chipsmall.com Web: www.chipsmall.com

Address: A1208, Overseas Decoration Building, #122 Zhenhua RD., Futian, Shenzhen, China



MATERIALS AND FINISHES

BODY, REAR BODY, COUPLING NUT BRASS  
PLATED GOLD

CENTER CONTACT BRASS  
PLATED GOLD

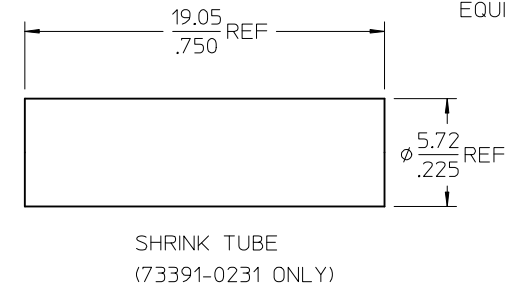
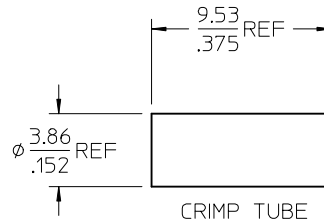
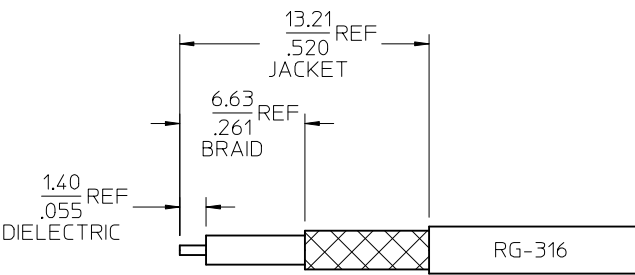
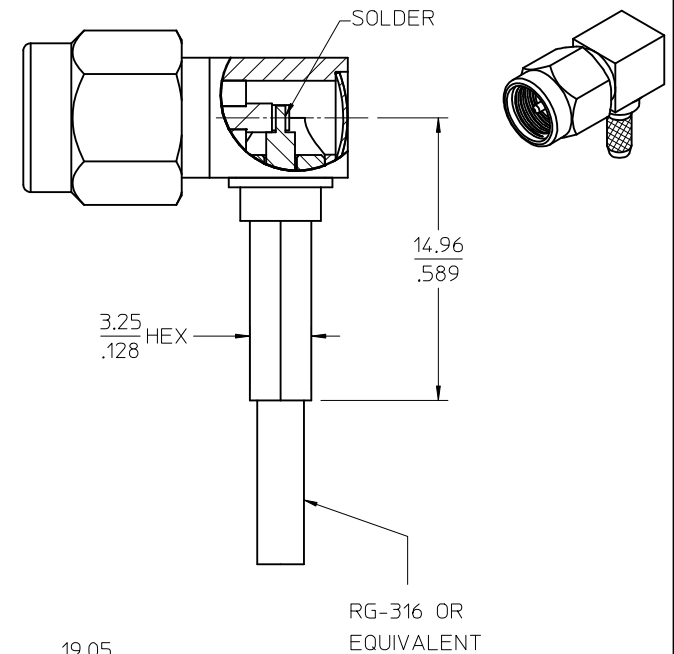
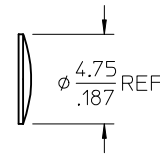
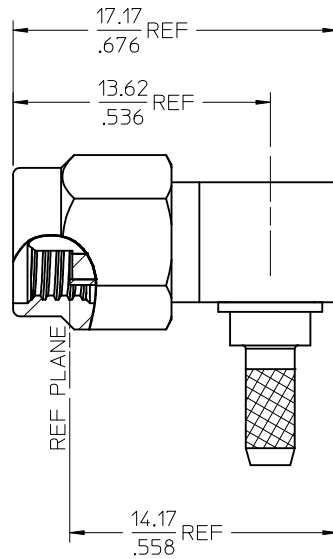
INSULATOR TEFLON

CAP STAINLESS STEEL  
PASSIVATED

C-RING BERYLLIUM COPPER

CRIMP TUBE BRASS  
PLATED SEE TABLE

SHRINK TUBE VERSAFIT



RECOMMENDED CABLE STRIP

73391-0234	NOT INCLUDED	NICKEL	73391-0230 PACKED ONE PER BAG
73391-0233	NOT INCLUDED	GOLD	STANDARD TRAY
73391-0232	NOT INCLUDED	NICKEL	73391-0230 PACKED IN SMALL TRAY (20 CAVITY)
73391-0231	INCLUDED	NICKEL	STANDARD TRAY
73391-0230	NOT INCLUDED	NICKEL	STANDARD TRAY
PART NO.	SHRINK TUBE	CRIMP TUBE	PACKAGING
		PLATING	

PS-89675-3460	ELECTRICAL/MECHANICAL
MIL-STD-348A, FIG. 310-1	INTERFACE
SPECIFICATION	DESCRIPTION

<p>CHG: REVISED CABLE STRIPS.</p> <p>EC NO: URF2013-0075</p> <p>DRWN: JWIENER 2012/08/07</p> <p>CHKD: SSS 2012/08/07</p> <p>APPR: JWIENER 2012/08/09</p>	<p>QUALITY SYMBOLS</p> <p>▽=0</p> <p>▽=0</p>	<p>GENERAL TOLERANCES (UNLESS SPECIFIED)</p> <table border="1"> <tr> <th></th> <th>mm</th> <th>INCH</th> </tr> <tr> <td>4 PLACES</td> <td>± .005</td> <td>± .0002</td> </tr> <tr> <td>3 PLACES</td> <td>± .005</td> <td>± .0002</td> </tr> <tr> <td>2 PLACES</td> <td>± .005</td> <td>± .0002</td> </tr> <tr> <td>1 PLACE</td> <td>± .005</td> <td>± .0002</td> </tr> </table> <p>ANGULAR ± 2°</p>		mm	INCH	4 PLACES	± .005	± .0002	3 PLACES	± .005	± .0002	2 PLACES	± .005	± .0002	1 PLACE	± .005	± .0002	<p>DIMENSION STYLE</p> <p>MM/IN</p> <p>DRAWN BY: LYNN LIN DATE: 2001/01/30</p> <p>CHECKED BY: KERRIE DATE: 2001/01/30</p> <p>APPROVED BY: MISEN DATE: 2001/01/30</p>	<p>SCALE</p> <p>DESIGN UNITS</p> <p>METRIC</p> <p>THIRD ANGLE PROJECTION</p>	<p>TITLE</p> <p>SMA PLUG R/A 50 OHMS FOR RG-316</p> <p>SMA-PC/RA EWR-1765</p>	<p>MATERIAL NO.</p> <p>SEE TABLE</p>	<p>DOCUMENT NO.</p> <p>SD-73391-023</p>	<p>SHEET NO.</p> <p>1 OF 1</p>
			mm	INCH																			
		4 PLACES	± .005	± .0002																			
		3 PLACES	± .005	± .0002																			
2 PLACES	± .005	± .0002																					
1 PLACE	± .005	± .0002																					
<p>DRAFT WHERE APPLICABLE MUST REMAIN WITHIN DIMENSIONS</p>		<p>MOLEX MOLEX INCORPORATED</p>		<p>THIS DRAWING CONTAINS INFORMATION THAT IS PROPRIETARY TO MOLEX INCORPORATED AND SHOULD NOT BE USED WITHOUT WRITTEN PERMISSION</p>																			
<p>A6</p>		<p>SIZE</p> <p>C</p>		<p>THIS DRAWING CONTAINS INFORMATION THAT IS PROPRIETARY TO MOLEX INCORPORATED AND SHOULD NOT BE USED WITHOUT WRITTEN PERMISSION</p>																			
<p>REV</p>		<p>DESCRIPTION</p>		<p>DESCRIPTION</p>																			