



Chipsmall Limited consists of a professional team with an average of over 10 year of expertise in the distribution of electronic components. Based in Hongkong, we have already established firm and mutual-benefit business relationships with customers from,Europe,America and south Asia,supplying obsolete and hard-to-find components to meet their specific needs.

With the principle of “Quality Parts,Customers Priority,Honest Operation,and Considerate Service”,our business mainly focus on the distribution of electronic components. Line cards we deal with include Microchip,ALPS,ROHM,Xilinx,Pulse,ON,Everlight and Freescale. Main products comprise IC,Modules,Potentiometer,IC Socket,Relay,Connector.Our parts cover such applications as commercial,industrial, and automotives areas.

We are looking forward to setting up business relationship with you and hope to provide you with the best service and solution. Let us make a better world for our industry!



Contact us

Tel: +86-755-8981 8866 Fax: +86-755-8427 6832

Email & Skype: info@chipsmall.com Web: www.chipsmall.com

Address: A1208, Overseas Decoration Building, #122 Zhenhua RD., Futian, Shenzhen, China



MATERIALS AND FINISHES

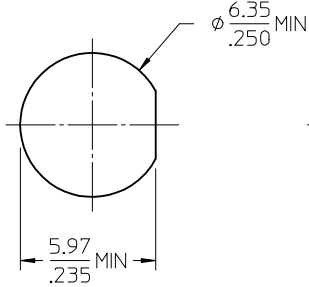
BODY, CRIMP TUBE: BRASS
PLATED SEE TABLE

CONTACT: BERYLLIUM COPPER
PLATED SEE TABLE

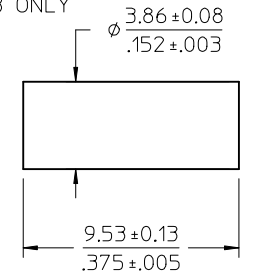
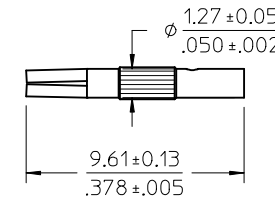
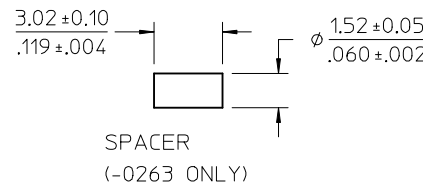
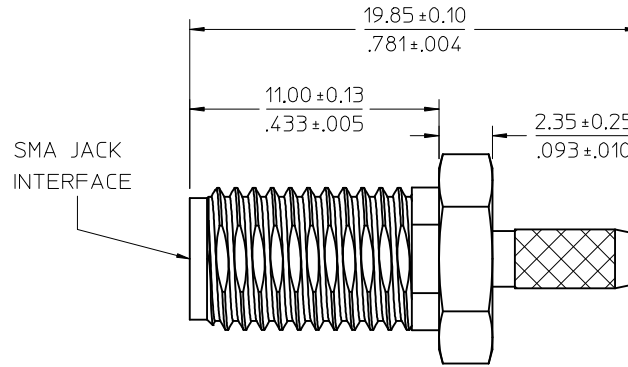
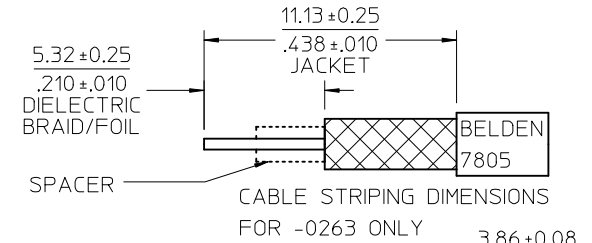
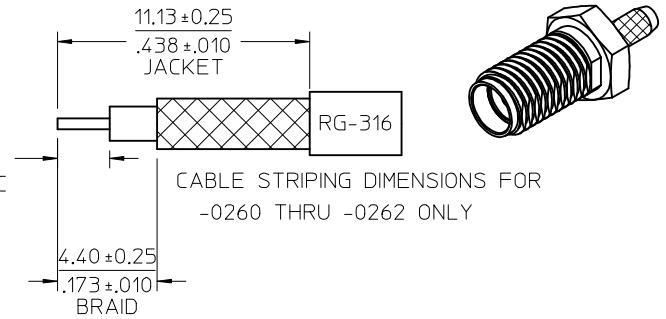
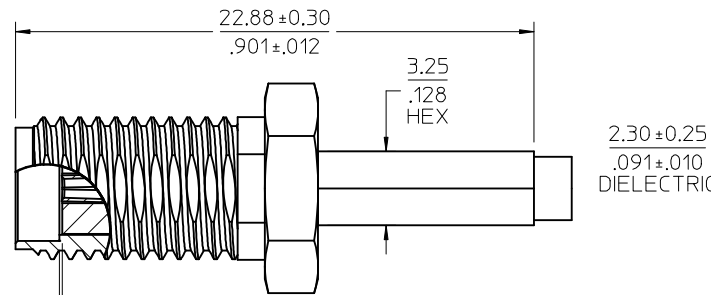
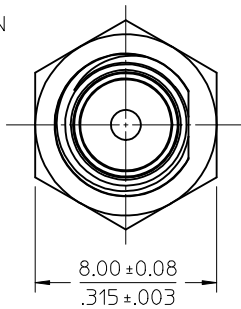
LOCK WASHER: PHOSPHOR BRONZE
PLATED GOLD (10 μ IN MIN)

JAM NUT: BRASS
PLATED GOLD (FLASH)

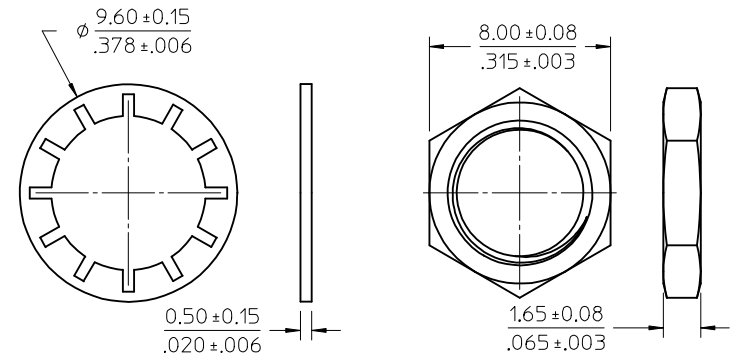
INSULATOR, SPACER: TEFLON



SUGGESTED PANEL CUTOUT
MAX PANEL THICKNESS 3.18 (.125)



73391-0263	GOLD (10μ IN MIN)	GOLD (30μ IN MIN)	NOT INCLUDED	INCLUDED
73391-0262	GOLD (10μ IN MIN)	GOLD (30μ IN MIN)	NOT INCLUDED	NOT INCLUDED
73391-0261	GOLD (FLASH)	GOLD (10μ IN MIN)	NOT INCLUDED	NOT INCLUDED
73391-0260	GOLD (FLASH)	GOLD (10μ IN MIN)	INCLUDED	NOT INCLUDED
PART NO.	BODY/CRIMP T	CONTACT	WASHER/NUT	SPACER
	PLATING	PLATING		



PS-89675-346	ELE/MECH PERFORMANCE
SPECIFICATION	DESCRIPTION

CHG: ADD TOLERANCES	QUALITY SYMBOLS
EC NO: URF2013-0242	▽=0
DRWN: JWIENER 2012/10/23	▽=0
CHKD: SSS 2012/10/23	
APPR: JWIENER 2012/10/25	
REV: B4	

GENERAL TOLERANCES (UNLESS SPECIFIED)
4 PLACES ± --- ± ---
3 PLACES ± --- ± ---
2 PLACES ± --- ± ---
1 PLACE ± --- ± ---
ANGULAR ± 2 °
DRAFT WHERE APPLICABLE MUST REMAIN WITHIN DIMENSIONS

DIMENSION STYLE	SCALE
MM/IN	METRIC
DESIGN UNITS	THIRD ANGLE PROJECTION
DRAWN BY	DATE
LYNN LIN	2001/06/14
CHECKED BY	DATE
APPROVED BY	DATE
MATERIAL NO.	DOCUMENT NO.
SEE TABLE	SD-73391-026
SIZE	SHEET NO.
C	1 OF 1

SMA JACK, BULKHEAD FOR RG316/174 SMA-JC	
MOLEX INCORPORATED	
THIS DRAWING CONTAINS INFORMATION THAT IS PROPRIETARY TO MOLEX INCORPORATED AND SHOULD NOT BE USED WITHOUT WRITTEN PERMISSION	