



Chipsmall Limited consists of a professional team with an average of over 10 year of expertise in the distribution of electronic components. Based in Hongkong, we have already established firm and mutual-benefit business relationships with customers from,Europe,America and south Asia,supplying obsolete and hard-to-find components to meet their specific needs.

With the principle of "Quality Parts,Customers Priority,Honest Operation,and Considerate Service",our business mainly focus on the distribution of electronic components. Line cards we deal with include Microchip,ALPS,ROHM,Xilinx,Pulse,ON,Everlight and Freescale. Main products comprise IC,Modules,Potentiometer,IC Socket,Relay,Connector.Our parts cover such applications as commercial,industrial, and automotives areas.

We are looking forward to setting up business relationship with you and hope to provide you with the best service and solution. Let us make a better world for our industry!



## Contact us

Tel: +86-755-8981 8866 Fax: +86-755-8427 6832

Email & Skype: info@chipsmall.com Web: www.chipsmall.com

Address: A1208, Overseas Decoration Building, #122 Zhenhua RD., Futian, Shenzhen, China



MATERIALS AND FINISHES

BODY OUTER: BRASS  
PLATED SEE TABLE

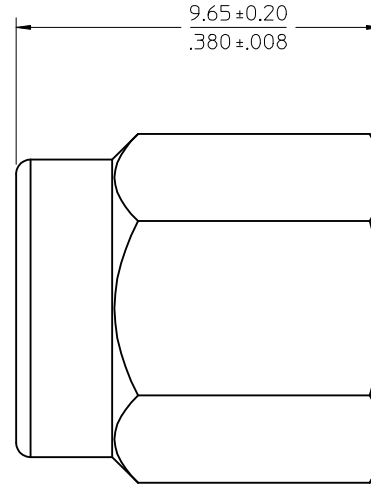
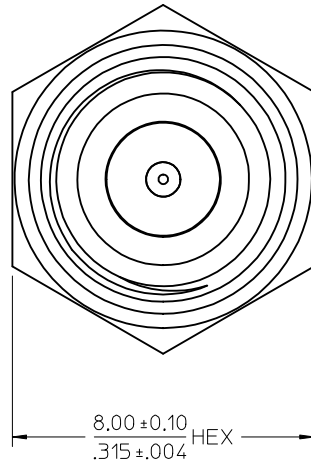
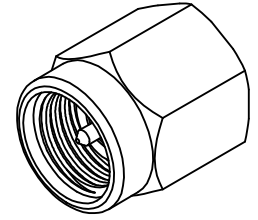
BODY INNER: BRASS  
PLATED SEE TABLE

CONTACT: BRASS  
PLATED SEE TABLE

INSULATOR: TEFLON

RESISTOR: 2 100 OHM ±1% CHIP RESISTORS

ELECTRIAL PERFORMANCE:  
VSWR ≤ 1.20 THRU 6 GHz  
VSWR ≤ 1.30 THRU 12 GHz  
VSWR ≤ 1.35 THRU 18 GHz



MIL-STD-348A, FIG. 310.1	INTERFACE
SPECIFICATION	DESCRIPTION

73391-0682	GOLD (10μ IN MIN)	GOLD (10μ IN MIN)	GOLD (30μ IN MIN)	-----
73391-0681	GOLD (FLASH)	GOLD (10μ IN MIN)	GOLD (10μ IN MIN)	73251-3490
73391-0680	NICKEL (100 μ IN)	GOLD (FLASH)	GOLD (10μ IN MIN)	73251-3491
PART NO.	OUTER BODY	BODY INNER	CONTACT	SAME AS
	FINISH	FINISH	FINISH	

CHG: ADD TOLERANCES EC NO: URF2013-0242 DRWN: JWIENER 2012/10/23 CHKD: SSS 2012/10/23 APPR: JWIENER 2012/10/25	QUALITY SYMBOLS ▽=0 ▽=0	GENERAL TOLERANCES (UNLESS SPECIFIED)	DIMENSION STYLE MM/IN	SCALE	DESIGN UNITS METRIC	THIRD ANGLE PROJECTION	
		4 PLACES ± --- ± --- 3 PLACES ± --- ± --- 2 PLACES ± --- ± --- 1 PLACE ± --- ± ---	DRAWN BY CLLI	DATE 2004/02/17	TITLE SMA PLUG TERMINATION SMA-P, EWR-3728		
		ANGULAR ± 2 °	CHECKED BY K.C.	DATE 2004/02/17	MOLEX INCORPORATED		
		DRAFT WHERE APPLICABLE MUST REMAIN WITHIN DIMENSIONS	APPROVED BY MISEN	DATE 2004/02/17	MATERIAL NO. SEE TABLE	DOCUMENT NO. SD-73391-068	SHEET NO. 1 OF 1