



Chipsmall Limited consists of a professional team with an average of over 10 year of expertise in the distribution of electronic components. Based in Hongkong, we have already established firm and mutual-benefit business relationships with customers from,Europe,America and south Asia,supplying obsolete and hard-to-find components to meet their specific needs.

With the principle of “Quality Parts,Customers Priority,Honest Operation,and Considerate Service”,our business mainly focus on the distribution of electronic components. Line cards we deal with include Microchip,ALPS,ROHM,Xilinx,Pulse,ON,Everlight and Freescale. Main products comprise IC,Modules,Potentiometer,IC Socket,Relay,Connector.Our parts cover such applications as commercial,industrial, and automotives areas.

We are looking forward to setting up business relationship with you and hope to provide you with the best service and solution. Let us make a better world for our industry!



## Contact us

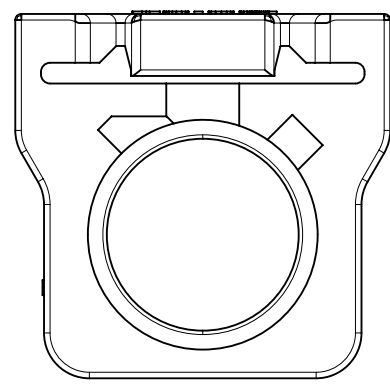
Tel: +86-755-8981 8866 Fax: +86-755-8427 6832

Email & Skype: info@chipsmall.com Web: www.chipsmall.com

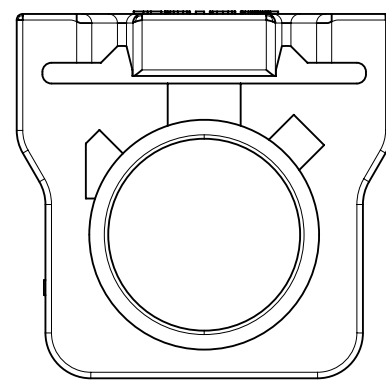
Address: A1208, Overseas Decoration Building, #122 Zhenhua RD., Futian, Shenzhen, China



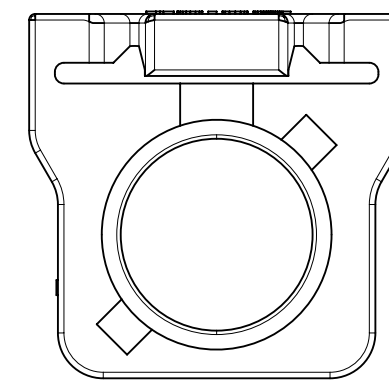




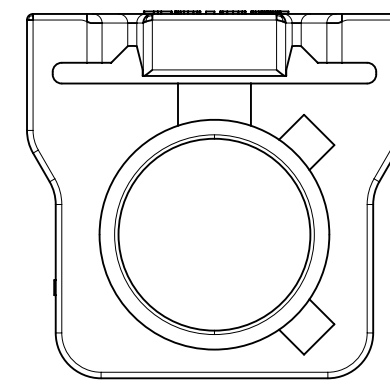
CODE A



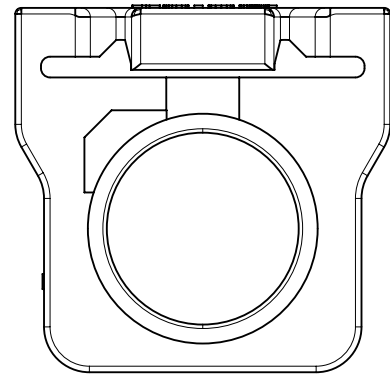
CODE B



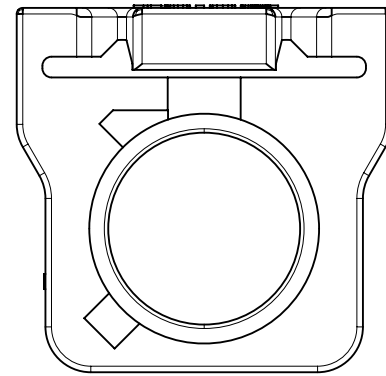
CODE C



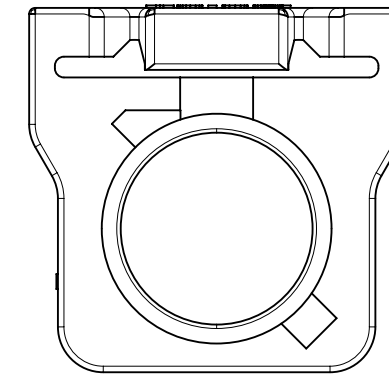
CODE D



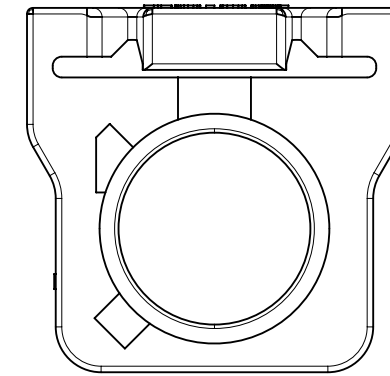
CODE E



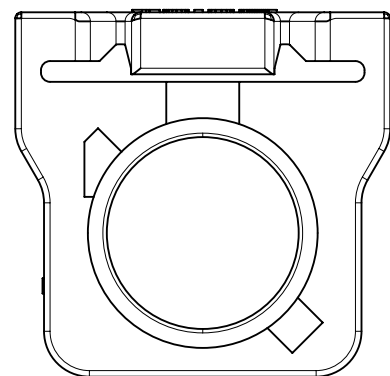
CODE F



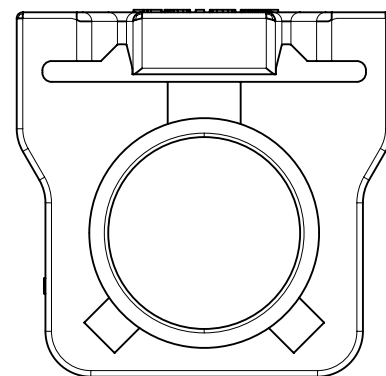
CODE G



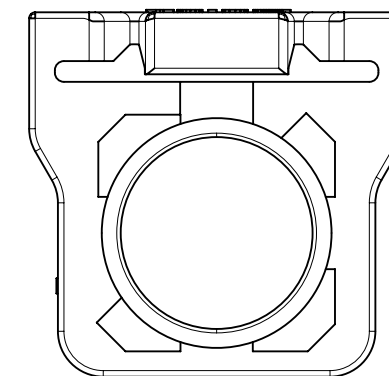
CODE H



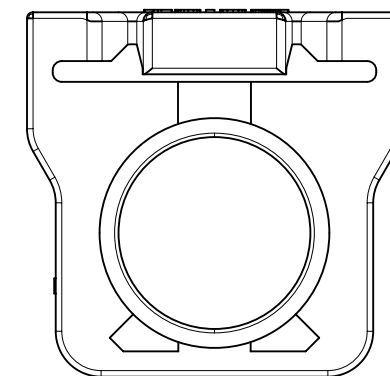
CODE I



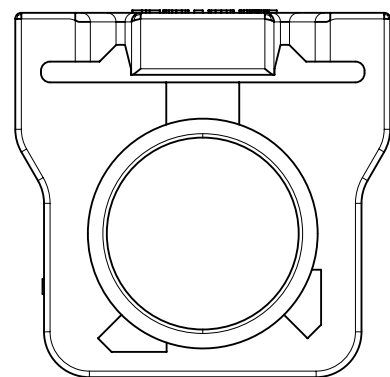
CODE K



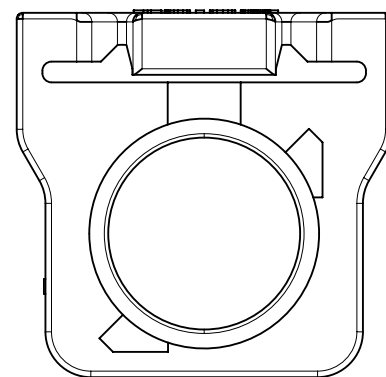
CODE Z



CODE L



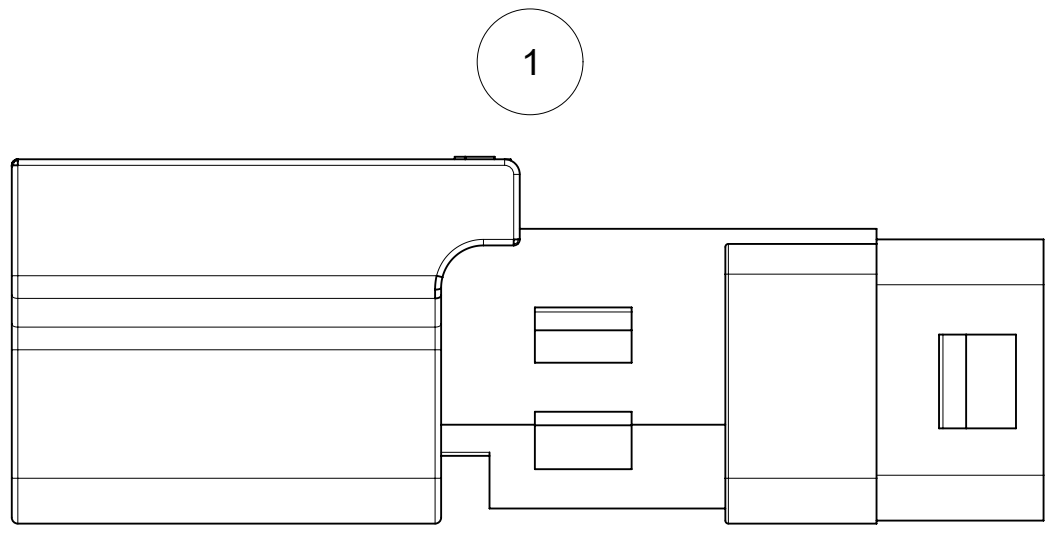
CODE M



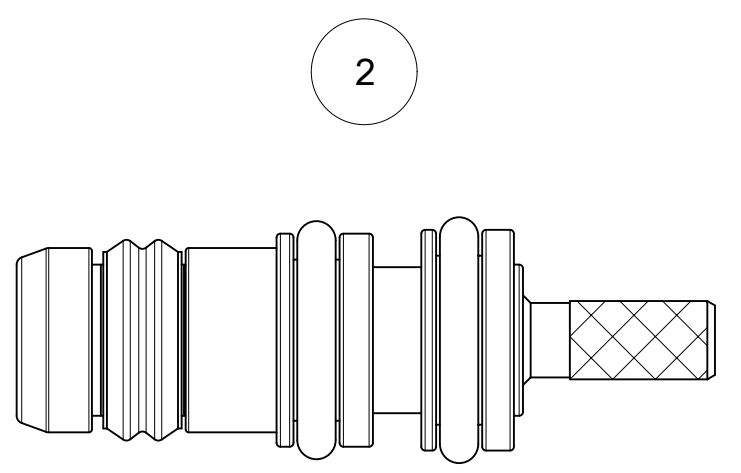
CODE N

89558-9183	N	PASTEL GREEN
89558-9182	M	PASTEL ORANGE
89558-9181	L	CARMINE RED
89558-9180	Z	WATER BLUE
89558-9179	K	CURRY YELLOW
89558-9178	I	BEIGE
89558-9177	H	VIOLET
89558-9176	G	GRAY
89558-9175	F	BROWN
89558-9174	E	GREEN
89558-9173	D	BORDEAUX VIOLET
89558-9172	C	BLUE
89558-9171	B	CREAM WHITE
89558-9170	A	BLACK
SHROUD NO.	KEY CODE	COLOR

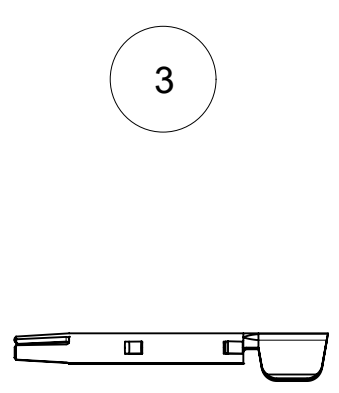
<b>QUALITY SYMBOLS</b> 	THIS DRAWING CONTAINS INFORMATION THAT IS PROPRIETARY TO MOLEX ELECTRONIC TECHNOLOGIES, LLC AND SHOULD NOT BE USED WITHOUT WRITTEN PERMISSION																						
	MIGRATED EC NO: 122054 DRWN: BSHAH CHKD: REV / APPR: AROBERTSON	GENERAL TOLERANCES (UNLESS SPECIFIED) <table border="1"> <tr> <th></th> <th>MM</th> <th>INCH</th> </tr> <tr> <td>4 PLACES</td> <td>±</td> <td>±</td> </tr> <tr> <td>3 PLACES</td> <td>±</td> <td>± 0.005</td> </tr> <tr> <td>2 PLACES</td> <td>± 0.13</td> <td>± 0.01</td> </tr> <tr> <td>1 PLACES</td> <td>± 0.25</td> <td>±</td> </tr> <tr> <td>0 PLACES</td> <td>±</td> <td>±</td> </tr> </table>			MM	INCH	4 PLACES	±	±	3 PLACES	±	± 0.005	2 PLACES	± 0.13	± 0.01	1 PLACES	± 0.25	±	0 PLACES	±	±	DIMENSION UNITS: METRIC SCALE: NTS DRWN BY: AROBERTSON DATE: 2014/11/17 CHK'D BY: SSS DATE: 2014/11/17 APPR BY: AROBERTSON DATE: 2015/04/24	
			MM	INCH																			
		4 PLACES	±	±																			
		3 PLACES	±	± 0.005																			
		2 PLACES	± 0.13	± 0.01																			
	1 PLACES	± 0.25	±																				
	0 PLACES	±	±																				
	ANGULAR TOL = 2.0		DRAWING SIZE: C																				
	DRAFT WHERE APPLICABLE MUST REMAIN WITHIN DIMENSIONS		THIRD ANGLE PROJECTION																				
<b>molex®</b> FAKRA PLUG SEALED FOR RG174 FAKRA-PC, EWR-10016 PRODUCT CUSTOMER DRAWING																							
SERIES: 73403		MATERIAL NUMBER: SEE TABLE																					
DOCUMENT NUMBER: SD-73403-037		DOC TYPE: PSD																					
DOC PART: 001		SHEET NUMBER: 2 OF 4																					



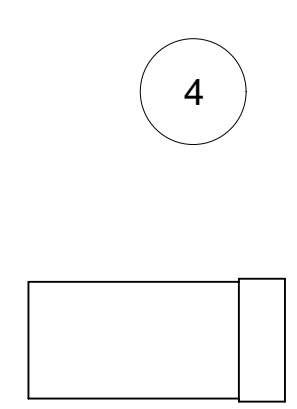
SHROUD



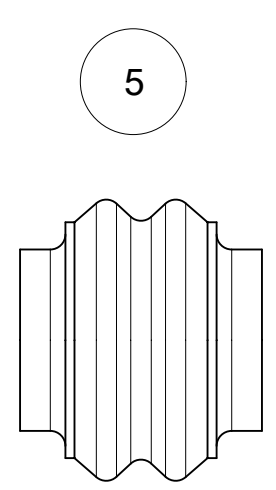
SMB SUB-ASSEMBLY



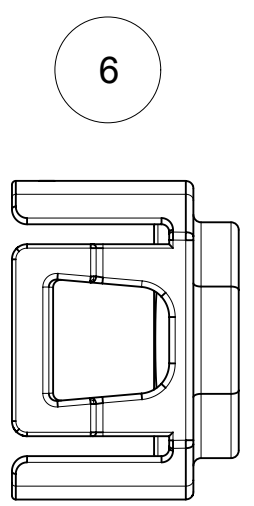
CONTACT  
(SHOWN LOOSE  
COMES ON T&R)



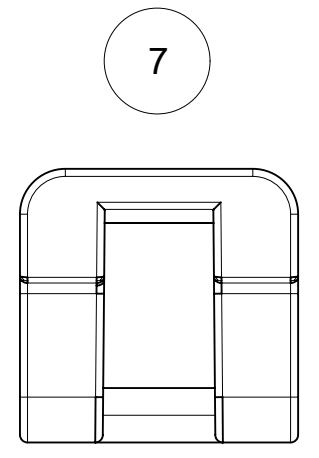
CRIMP TUBE



CABLE SEAL



END CAP



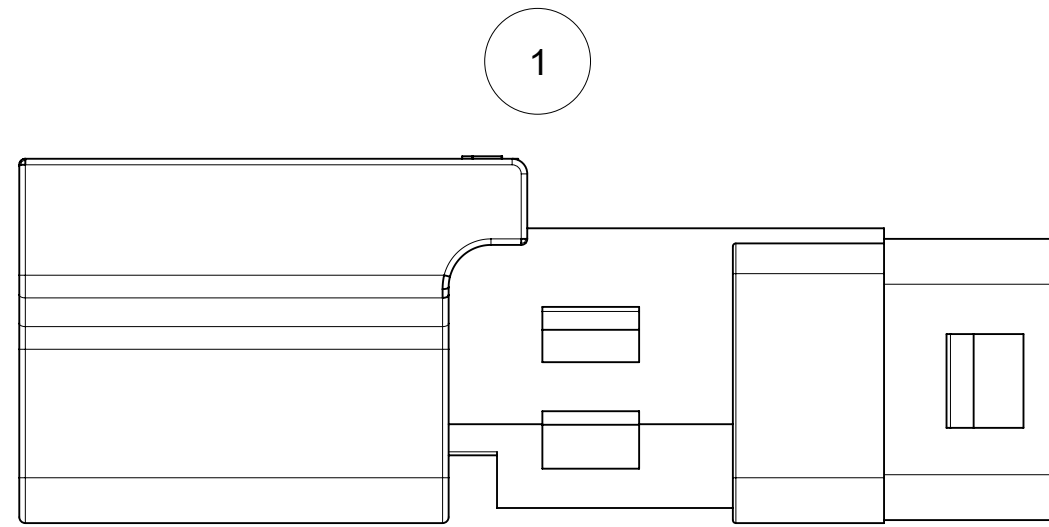
ISL NO CLIP SLOT

NOTES:

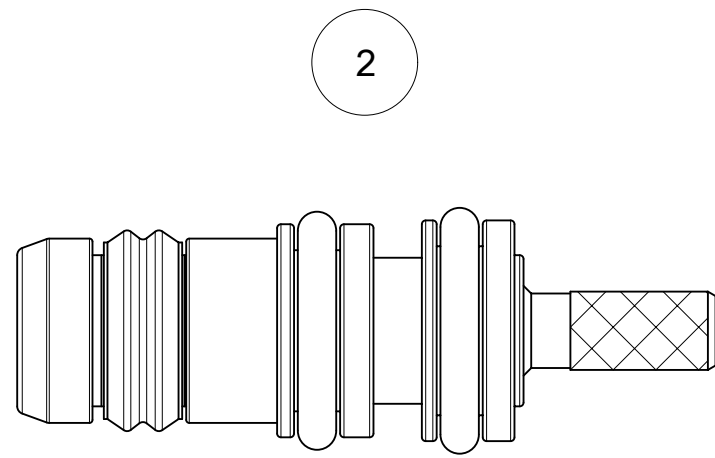
- 1. ITEM 2 TO BE TRAY PACKED.
- 2. ALL ITEMS MAY BE BAGGED INDIVIDUALLY TOGETHER WHEN SOLD AS 73403-0XXX ASSEMBLY NUMBER.
- 3. ITEMS 1/3/4/5/6/7 MAY BE INDIVIDUALLY BULK PACKED. BULK PACKAGE QUANTITIES MUST NOT INDUCE ANY DAMAGE TO PARTS.

73403-0383	N	PASTEL GREEN	89558-9183	73404-3560	89538-0251	89558-8172	89558-8000	89558-9210	89558-8150
73403-0382	M	PASTEL ORANGE	89558-9182	73404-3560	89538-0251	89558-8172	89558-8000	89558-9210	89558-8150
73403-0381	L	CARMINE RED	89558-9181	73404-3560	89538-0251	89558-8172	89558-8000	89558-9210	89558-8150
73403-0380	Z	WATER BLUE	89558-9180	73404-3560	89538-0251	89558-8172	89558-8000	89558-9210	89558-8150
73403-0379	K	CURRY YELLOW	89558-9179	73404-3560	89538-0251	89558-8172	89558-8000	89558-9210	89558-8150
73403-0378	I	BEIGE	89558-9178	73404-3560	89538-0251	89558-8172	89558-8000	89558-9210	89558-8150
73403-0377	H	VIOLET	89558-9177	73404-3560	89538-0251	89558-8172	89558-8000	89558-9210	89558-8150
73403-0376	G	GRAY	89558-9176	73404-3560	89538-0251	89558-8172	89558-8000	89558-9210	89558-8150
73403-0375	F	BROWN	89558-9175	73404-3560	89538-0251	89558-8172	89558-8000	89558-9210	89558-8150
73403-0374	E	GREEN	89558-9174	73404-3560	89538-0251	89558-8172	89558-8000	89558-9210	89558-8150
73403-0373	D	BORDEAUX VIOLET	89558-9173	73404-3560	89538-0251	89558-8172	89558-8000	89558-9210	89558-8150
73403-0372	C	BLUE	89558-9172	73404-3560	89538-0251	89558-8172	89558-8000	89558-9210	89558-8150
73403-0371	B	CREAM WHITE	89558-9171	73404-3560	89538-0251	89558-8172	89558-8000	89558-9210	89558-8150
73403-0370	A	BLACK	89558-9170	73404-3560	89538-0251	89558-8172	89558-8000	89558-9210	89558-8150
PART NO.	KEY CODE	COLOR	ITEM NO. 1	ITEM NO. 2	ITEM NO. 3	ITEM NO. 4	ITEM NO. 5	ITEM NO. 6	ITEM NO. 7
			SHROUD	SMB SUB-ASSY	CONTACT (T&R)	CRIMP TUBE	CABLE SEAL	END CAP	ISL

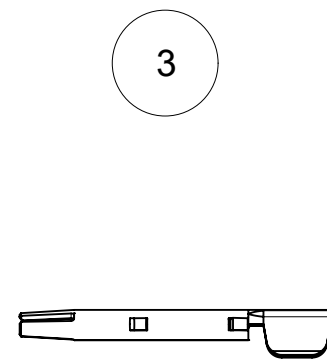
<p>QUALITY SYMBOLS</p> <p>▽ = 0</p> <p>▽ = 0</p> <p>▽ = 0</p> <p>▽ = 0</p> <p>▽ = 0</p> <p>▽ = 0</p> <p>▽ = 0</p> <p>▽ = 0</p> <p>▽ = 0</p>	THIS DRAWING CONTAINS INFORMATION THAT IS PROPRIETARY TO MOLEX ELECTRONIC TECHNOLOGIES, LLC AND SHOULD NOT BE USED WITHOUT WRITTEN PERMISSION		<p>DIMENSION UNITS</p> <p>METRIC      NTS</p>		<p><b>molex</b></p> <p>FAKRA PLUG SEALED FOR RG174 FAKRA-PC, EWR-10016</p> <p>PRODUCT CUSTOMER DRAWING</p>																			
	<p>GENERAL TOLERANCES (UNLESS SPECIFIED)</p> <table border="1"> <tr> <th></th> <th>MM</th> <th>INCH</th> </tr> <tr> <td>4 PLACES</td> <td>±</td> <td>±</td> </tr> <tr> <td>3 PLACES</td> <td>±</td> <td>± 0.005</td> </tr> <tr> <td>2 PLACES</td> <td>± 0.13</td> <td>± 0.01</td> </tr> <tr> <td>1 PLACES</td> <td>± 0.25</td> <td>±</td> </tr> <tr> <td>0 PLACES</td> <td>±</td> <td>±</td> </tr> </table>			MM		INCH	4 PLACES	±	±	3 PLACES	±	± 0.005	2 PLACES	± 0.13	± 0.01	1 PLACES	± 0.25	±	0 PLACES	±	±	<p>DRWN BY      DATE</p> <p>AROBERTSON      2014/11/17</p>		<p>SERIES      MATERIAL NUMBER      CUSTOMER</p> <p>73403      SEE TABLE      </p>
		MM	INCH																					
	4 PLACES	±	±																					
	3 PLACES	±	± 0.005																					
	2 PLACES	± 0.13	± 0.01																					
	1 PLACES	± 0.25	±																					
	0 PLACES	±	±																					
	<p>ANGULAR TOL = 2.0</p>		<p>CHK'D BY      DATE</p> <p>SSS      2014/11/17</p>																					
	<p>DRAFT WHERE APPLICABLE MUST REMAIN WITHIN DIMENSIONS</p>		<p>APPR BY      DATE</p> <p>AROBERTSON      2015/04/24</p>																					
<p>D1</p>		<p>DRAWING SIZE      THIRD ANGLE PROJECTION</p> <p>C      </p>																						
<p>RELEASE STATUS      P1      RELEASE DATE      21.09.2017      20:44:21</p>		<p>DOCUMENT NUMBER      DOC TYPE      DOC PART      SHEET NUMBER</p> <p>SD-73403-037      PSD      001      3 OF 4</p>																						



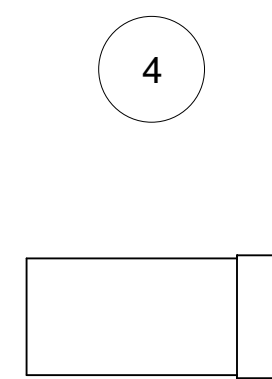
SHROUD



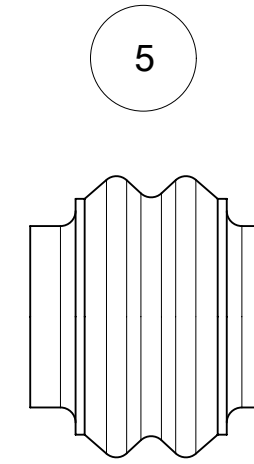
SMB PLUG SUB-ASSEMBLY



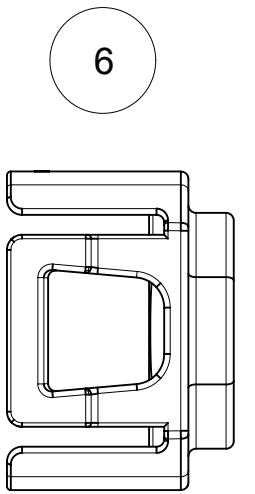
CONTACT  
(SHOWN LOOSE  
COMES ON T&R)



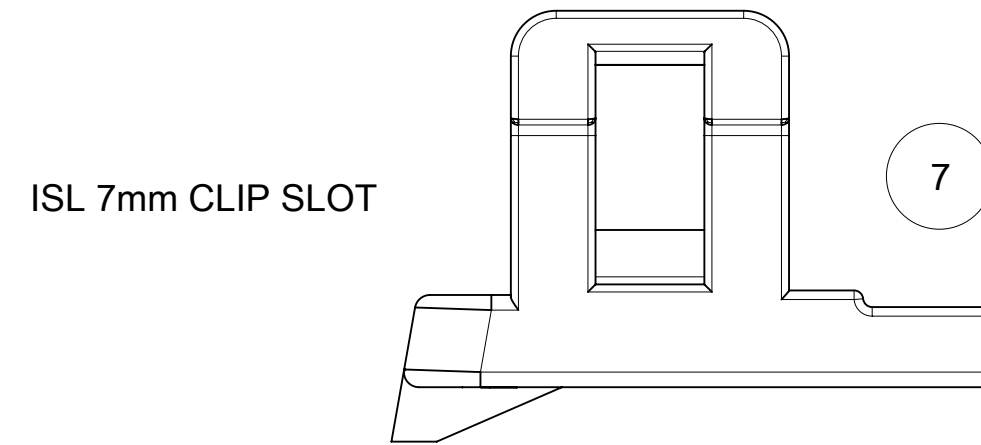
CRIMP TUBE



CABLE SEAL



END CAP



ISL 7mm CLIP SLOT

- NOTES:
1. ITEM 2 TO BE TRAY PACKED.
  2. ALL ITEMS MAY BE BAGGED INDIVIDUALLY TOGETHER WHEN SOLD AS 73403-0XXX ASSEMBLY NUMBER.
  3. ITEMS 1/3/4/5/6/7 MAY BE INDIVIDUALLY BULK PACKED. BULK PACKAGE QUANTITIES MUST NOT INDUCE ANY DAMAGE TO PARTS.

73403-0423	N	PASTEL GREEN	89558-9183	73404-3560	89538-0251	89558-8172	89558-8000	89558-9210	89558-8140
73403-0422	M	PASTEL ORANGE	89558-9182	73404-3560	89538-0251	89558-8172	89558-8000	89558-9210	89558-8140
73403-0421	L	CARMINE RED	89558-9181	73404-3560	89538-0251	89558-8172	89558-8000	89558-9210	89558-8140
73403-0420	Z	WATER BLUE	89558-9180	73404-3560	89538-0251	89558-8172	89558-8000	89558-9210	89558-8140
73403-0419	K	CURRY YELLOW	89558-9179	73404-3560	89538-0251	89558-8172	89558-8000	89558-9210	89558-8140
73403-0418	I	BEIGE	89558-9178	73404-3560	89538-0251	89558-8172	89558-8000	89558-9210	89558-8140
73403-0417	H	VIOLET	89558-9177	73404-3560	89538-0251	89558-8172	89558-8000	89558-9210	89558-8140
73403-0416	G	GRAY	89558-9176	73404-3560	89538-0251	89558-8172	89558-8000	89558-9210	89558-8140
73403-0415	F	BROWN	89558-9175	73404-3560	89538-0251	89558-8172	89558-8000	89558-9210	89558-8140
73403-0414	E	GREEN	89558-9174	73404-3560	89538-0251	89558-8172	89558-8000	89558-9210	89558-8140
73403-0413	D	BORDEAUX VIOLET	89558-9173	73404-3560	89538-0251	89558-8172	89558-8000	89558-9210	89558-8140
73403-0412	C	BLUE	89558-9172	73404-3560	89538-0251	89558-8172	89558-8000	89558-9210	89558-8140
73403-0411	B	CREAM WHITE	89558-9171	73404-3560	89538-0251	89558-8172	89558-8000	89558-9210	89558-8140
73403-0410	A	BLACK	89558-9170	73404-3560	89538-0251	89558-8172	89558-8000	89558-9210	89558-8140
PART NO.	KEY CODE	COLOR	ITEM NO. 1	ITEM NO. 2	ITEM NO. 3	ITEM NO. 4	ITEM NO. 5	ITEM NO. 6	ITEM NO. 7
			SHROUD	SMB SUB-ASSY	CONTACT (T&R)	CRIMP TUBE	CABLE SEAL	END CAP	ISL 7mm CS

QUALITY SYMBOLS ▽ = 0 ▽ = 0 ▽ = 0 ▽ = 0 ▽ = 0 ▽ = 0 ▽ = 0 ▽ = 0 ▽ = 0 ▽ = 0	THIS DRAWING CONTAINS INFORMATION THAT IS PROPRIETARY TO MOLEX ELECTRONIC TECHNOLOGIES, LLC AND SHOULD NOT BE USED WITHOUT WRITTEN PERMISSION 2017/09/07 2017/09/21 MIGRATED EC NO: 122054 DRWN: BSHAH CHKD: REV / APPR: AROBERTSON	GENERAL TOLERANCES (UNLESS SPECIFIED) METRIC      NTS DRWN BY      DATE AROBERTSON      2014/11/17		<b>molex</b>  FAKRA PLUG SEALED FOR RG174 FAKRA-PC, EWR-10016  PRODUCT CUSTOMER DRAWING
		4 PLACES ±      ± 3 PLACES ±      ± 0.005 2 PLACES ± 0.13      ± 0.01 1 PLACES ± 0.25      ± 0 PLACES ±      ±	ANGULAR TOL = 2.0 DRAFT WHERE APPLICABLE MUST REMAIN WITHIN DIMENSIONS	
SERIES      MATERIAL NUMBER      CUSTOMER 73403      SEE TABLE		DOCUMENT NUMBER      DOC TYPE      DOC PART      SHEET NUMBER SD-73403-037      PSD      001      4 OF 4		