



Chipsmall Limited consists of a professional team with an average of over 10 year of expertise in the distribution of electronic components. Based in Hongkong, we have already established firm and mutual-benefit business relationships with customers from,Europe,America and south Asia,supplying obsolete and hard-to-find components to meet their specific needs.

With the principle of “Quality Parts,Customers Priority,Honest Operation,and Considerate Service”,our business mainly focus on the distribution of electronic components. Line cards we deal with include Microchip,ALPS,ROHM,Xilinx,Pulse,ON,Everlight and Freescale. Main products comprise IC,Modules,Potentiometer,IC Socket,Relay,Connector.Our parts cover such applications as commercial,industrial, and automotives areas.

We are looking forward to setting up business relationship with you and hope to provide you with the best service and solution. Let us make a better world for our industry!



Contact us

Tel: +86-755-8981 8866 Fax: +86-755-8427 6832

Email & Skype: info@chipsmall.com Web: www.chipsmall.com

Address: A1208, Overseas Decoration Building, #122 Zhenhua RD., Futian, Shenzhen, China



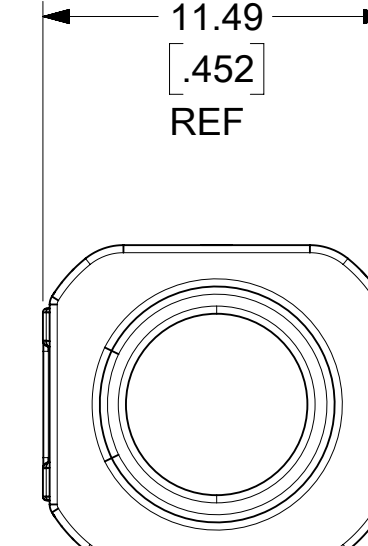
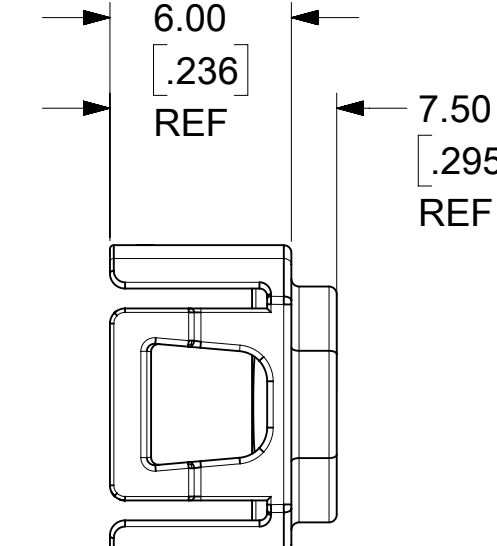
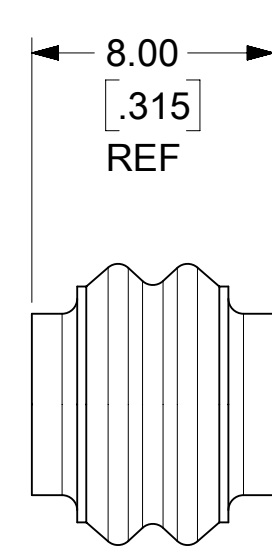
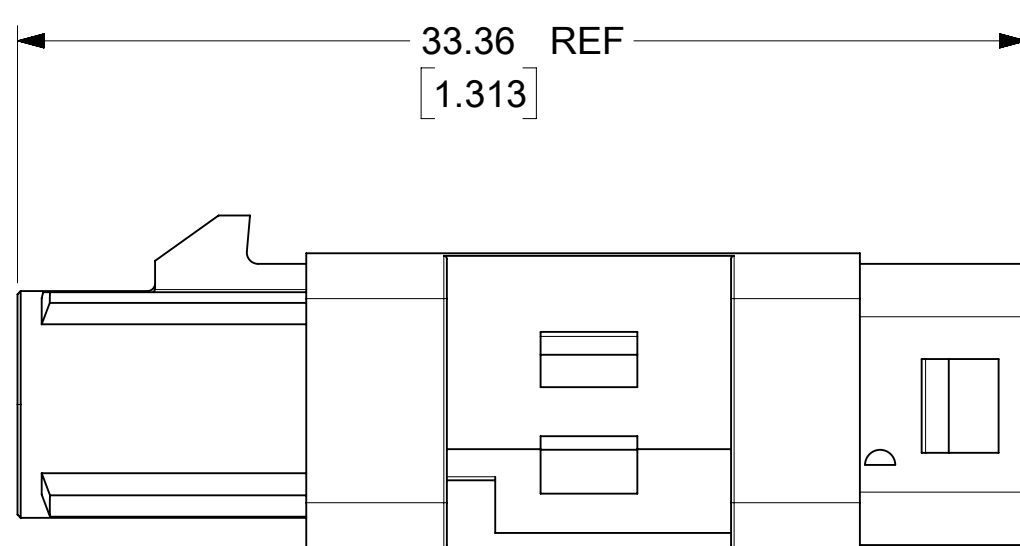
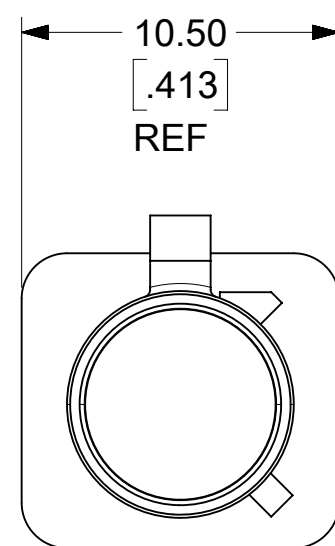
MATERIALS AND FINISHES

SMB (73404-3570): SEE SD-73404-357
 SHROUD: SPS/PA66
 COLOR SEE SHEET 2

END CAP, ISL CLIP SLOT: SPS/PA66
 COLOR BLACK

CABLE SEAL: A4005 SILICONE RUBBER
 40 DUROMETER. COLOR GREEN

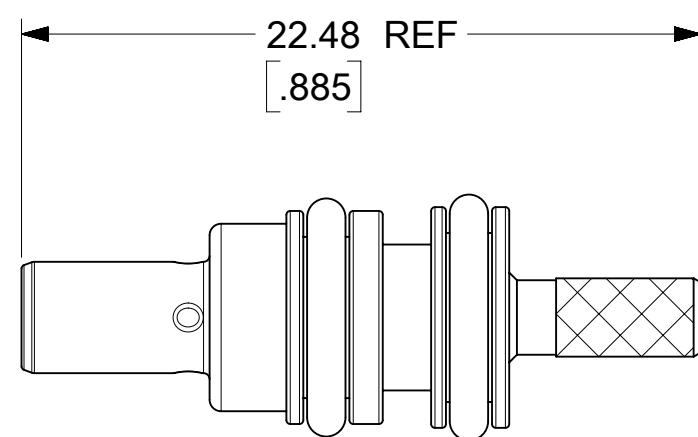
CRIMP TUBE: COPPER
 PLATED: TIN(100μ-in MIN)OVER
 NICKEL (100μ-in MIN)



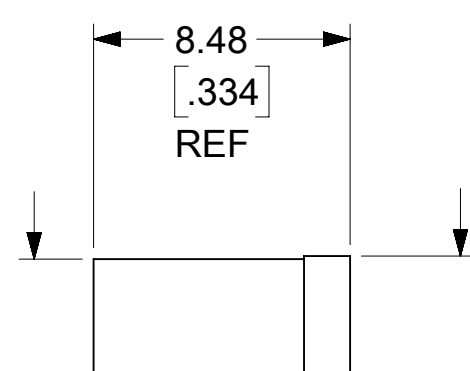
FAKRA JACK SHROUD
 (CODE F SHOWN)

CABLE SEAL

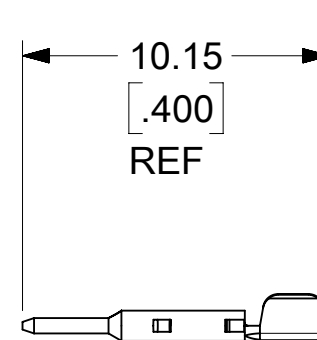
END CAP



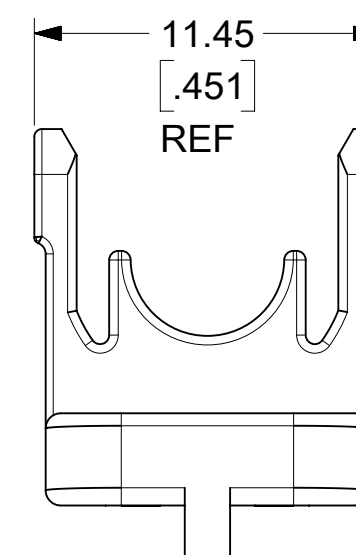
SMB JACK
 SUB-ASSEMBLY



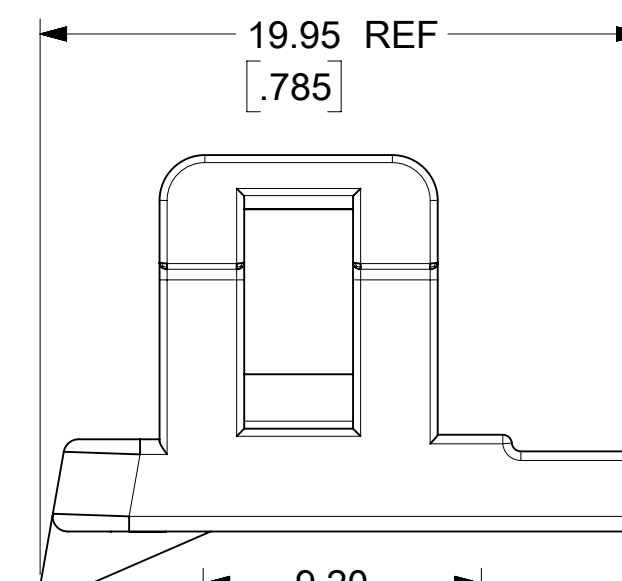
CRIMP TUBE



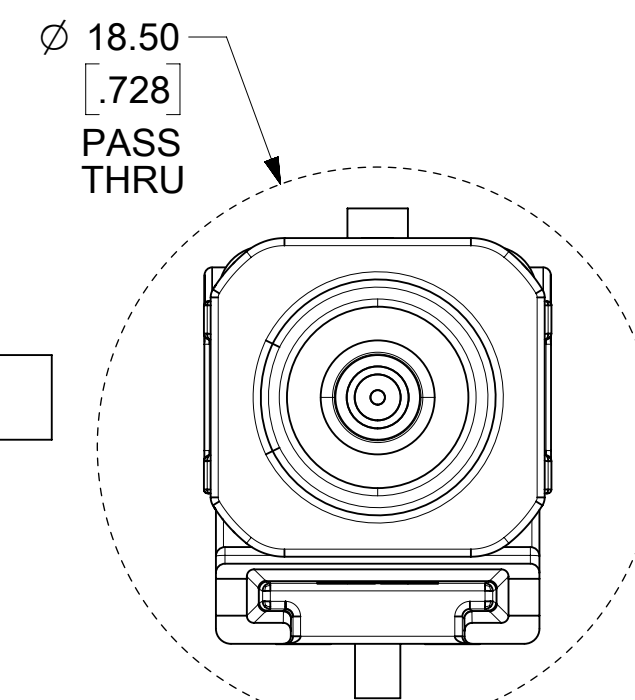
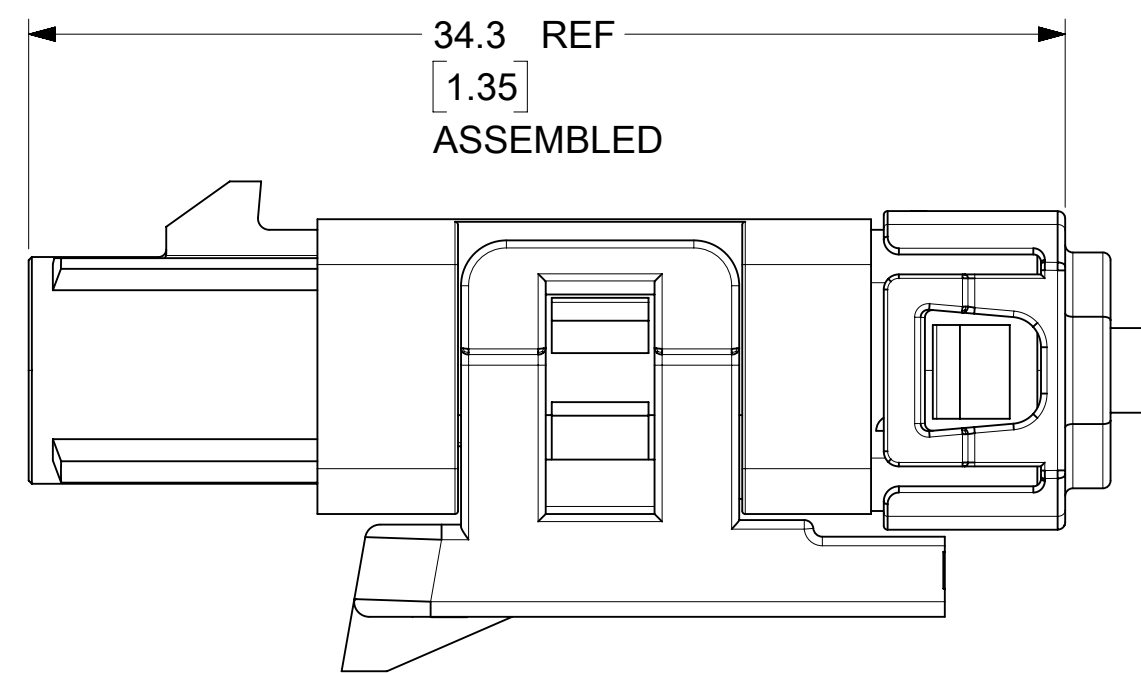
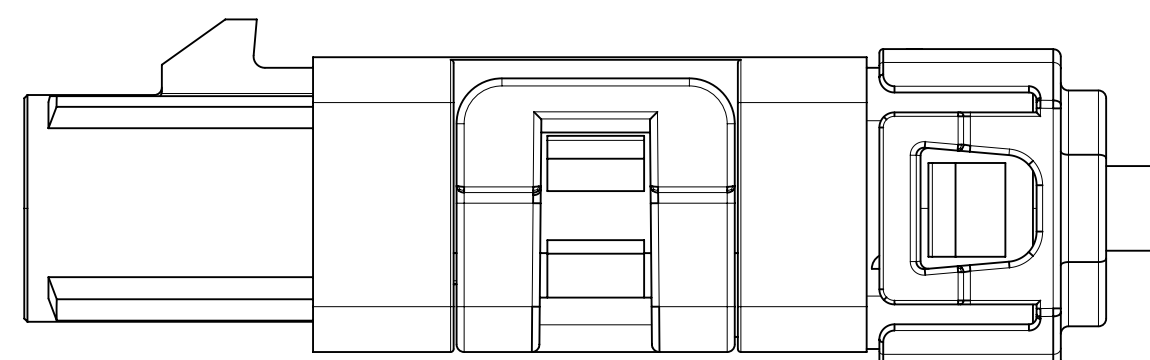
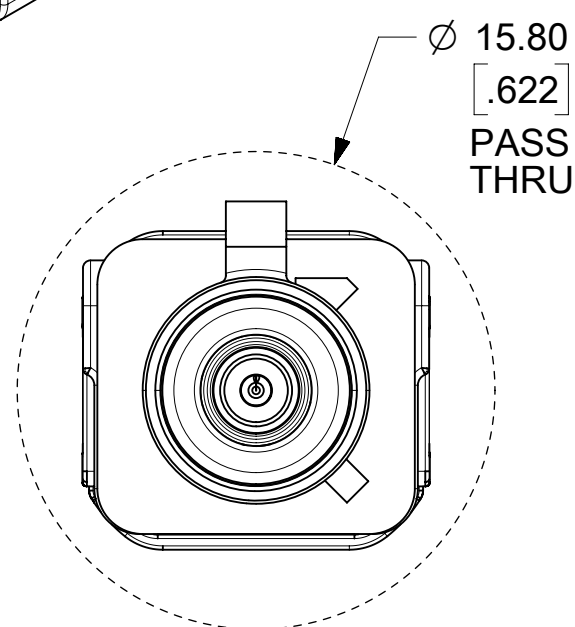
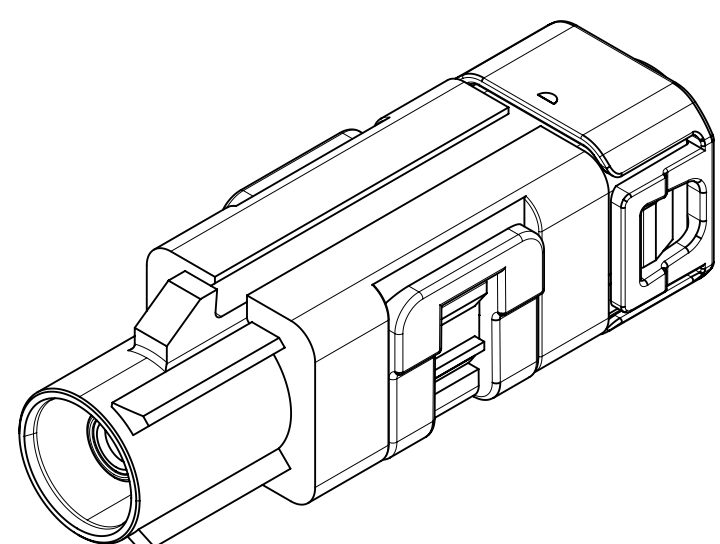
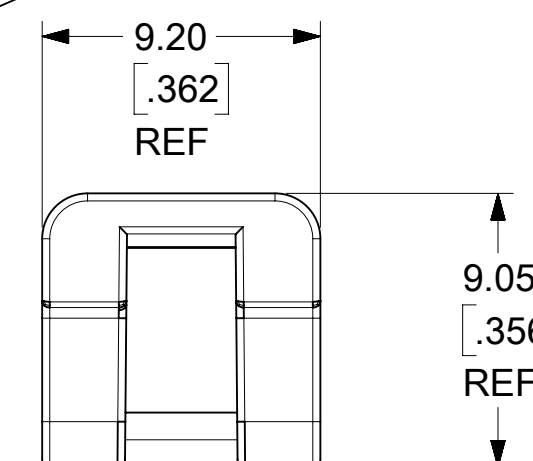
CONTACT
 (SHOWN LOOSE
 COMES ON T&R)



ISL 7mm
 CLIP SLOT



ISL NO
 CLIP SLOT

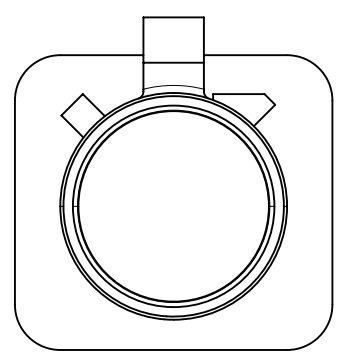


SEE SHEET 2 FOR SHROUD COLORS & KEYS
 SEE SHEET 3-4 FOR ORDERING SCHEME

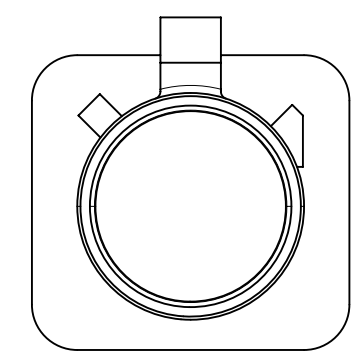
QUALITY SYMBOLS	THIS DRAWING CONTAINS INFORMATION THAT IS PROPRIETARY TO MOLEX ELECTRONIC TECHNOLOGIES, LLC AND SHOULD NOT BE USED WITHOUT WRITTEN PERMISSION			
	DIMENSION UNITS METRIC NTS		SCALE DRWN BY DATE	
▽ = 0 ▽ = 0 ▽ = 0 ▽ = 0 ▽ = 0 ▽ = 0 ▽ = 0 ▽ = 0 ▽ = 0	GENERAL TOLERANCES (UNLESS SPECIFIED) MM INCH		AR Robertson 2014/11/18	
	4 PLACES ± ± 3 PLACES ± ± 0.005 2 PLACES ± 0.13 ± 0.01 1 PLACES ± 0.25 ± 0 PLACES ± ±		CHK'D BY DATE SSS 2014/11/18	
ANGULAR TOL = 2.0		APPR BY DATE AR Robertson 2015/04/24		
DRAFT WHERE APPLICABLE MUST REMAIN WITHIN DIMENSIONS		DRAWING SIZE THIRD ANGLE PROJECTION C [Symbol]		
EC NO: 122054 DRWN: BSHAH CHKD: AR Robertson	2017/09/07 2017/09/21	MIGRATED		
C1		SERIES MATERIAL NUMBER CUSTOMER 73403 SEE TABLE GENERAL MARKET		
RELEASE STATUS P1 RELEASE DATE 21.09.2017 20:44:22		DOCUMENT NUMBER DOC TYPE DOC PART SHEET NUMBER SD-73403-039 PSD 001 1 OF 4		

AS-89675-453	ASSEMBLY INSTRUCTIONS
SPECIFICATION	DESCRIPTION

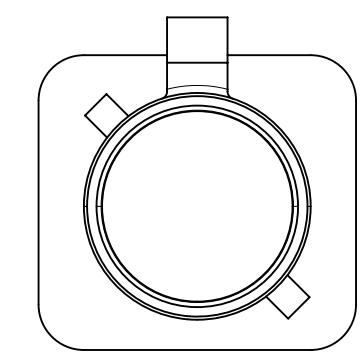
RELEASE STATUS	P1	RELEASE DATE	21.09.2017	20:44:22
----------------	----	--------------	------------	----------



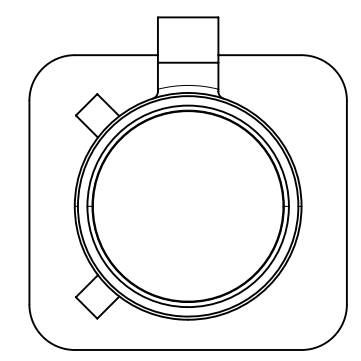
CODE A



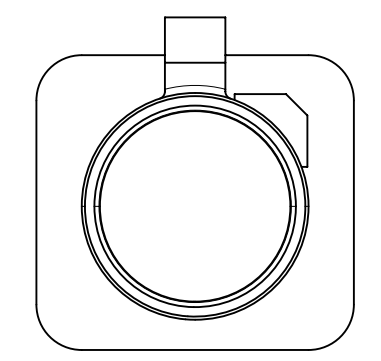
CODE B



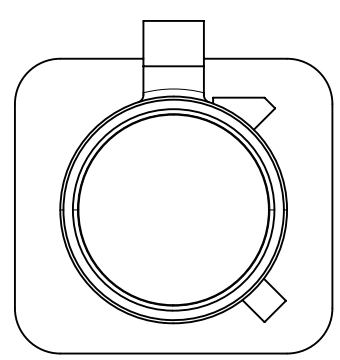
CODE C



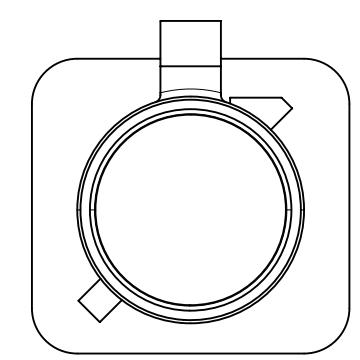
CODE D



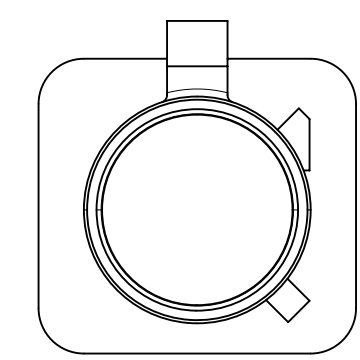
CODE E



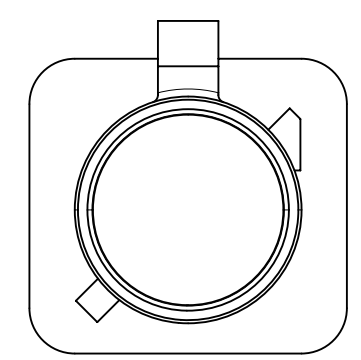
CODE F



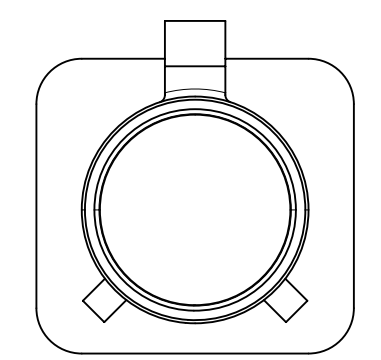
CODE G



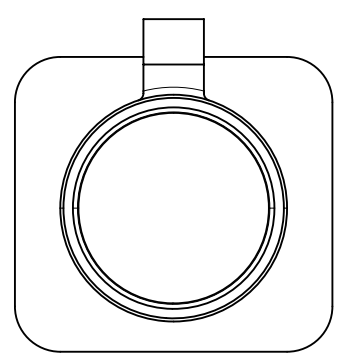
CODE H



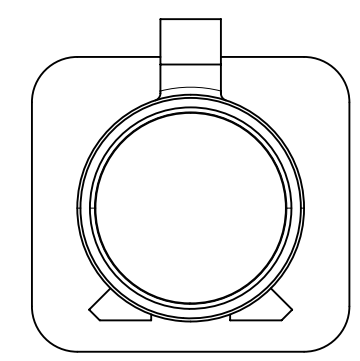
CODE I



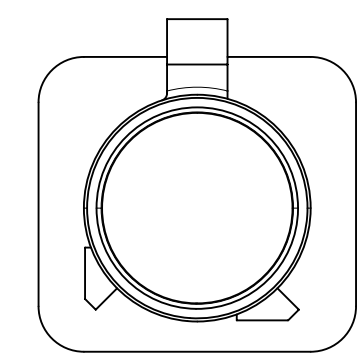
CODE K



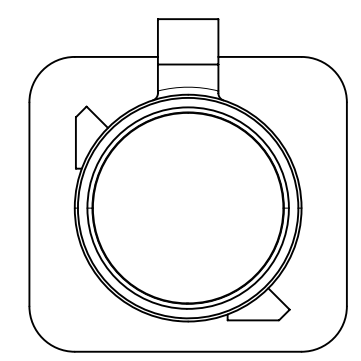
CODE Z



CODE L



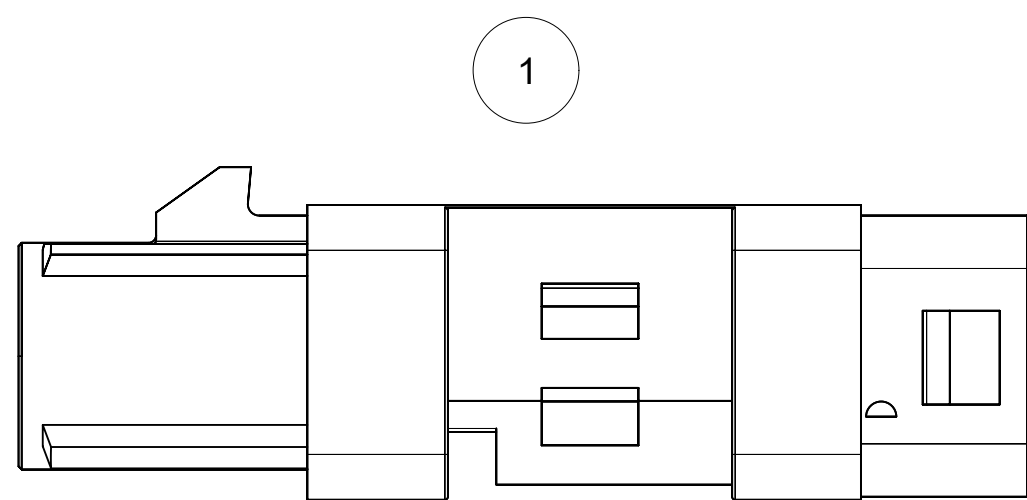
CODE M



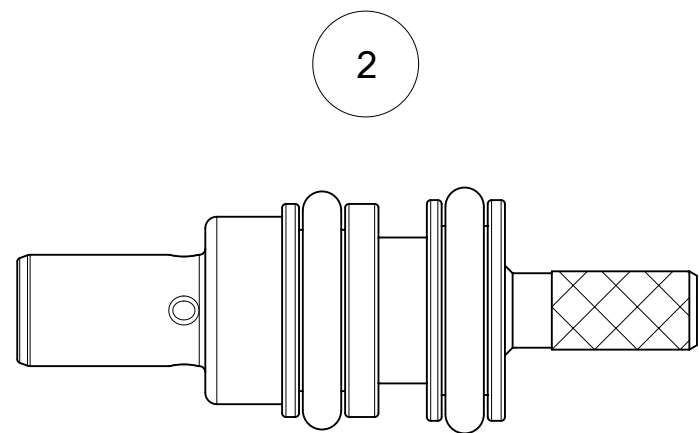
CODE N

89558-9203	N	PASTEL GREEN
89558-9202	M	PASTEL ORANGE
89558-9201	L	CARMINE RED
89558-9200	Z	WATER BLUE
89558-9199	K	CURRY YELLOW
89558-9198	I	BEIGE
89558-9197	H	VIOLET
89558-9196	G	GRAY
89558-9195	F	BROWN
89558-9194	E	GREEN
89558-9193	D	BORDEAUX VIOLET
89558-9192	C	BLUE
89558-9191	B	CREAM WHITE
89558-9190	A	BLACK
SHROUD NO.	KEY CODE	COLOR

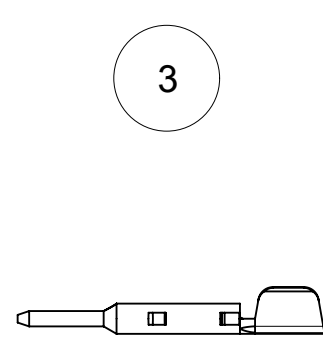
QUALITY SYMBOLS 	THIS DRAWING CONTAINS INFORMATION THAT IS PROPRIETARY TO MOLEX ELECTRONIC TECHNOLOGIES, LLC AND SHOULD NOT BE USED WITHOUT WRITTEN PERMISSION						
	EC NO: 122054 DRWN: BSHAH CHKD: REV / APPR: AROBERTSON	2017/09/07 2017/09/21	GENERAL TOLERANCES (UNLESS SPECIFIED)		DIMENSION UNITS	SCALE	
				MM	INCH	METRIC	NTS
			4 PLACES	±	±	AROBERTSON	2014/11/18
			3 PLACES	±	± 0.005	CHK'D BY	DATE
			2 PLACES	± 0.13	± 0.01	SSS	2014/11/18
	1 PLACES	± 0.25	±	APPR BY	DATE		
	0 PLACES	±	±	AROBERTSON	2015/04/24		
	ANGULAR TOL = 2.0		DRAWING SIZE	THIRD ANGLE PROJECTION			
	DRAFT WHERE APPLICABLE MUST REMAIN WITHIN DIMENSIONS		C				
C1							
		FAKRA JACK SEALED RG174 7 MM CLIP SLOT FAKRA-JC, EWR-10016					
		PRODUCT CUSTOMER DRAWING					
		SERIES	MATERIAL NUMBER	CUSTOMER			
		73403	SEE TABLE	GENERAL MARKET			
		DOCUMENT NUMBER		DOC TYPE			
		SD-73403-039		PSD			
		DOC PART	SHEET NUMBER				
		001	2 OF 4				



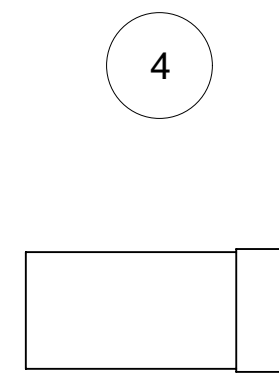
SHROUD



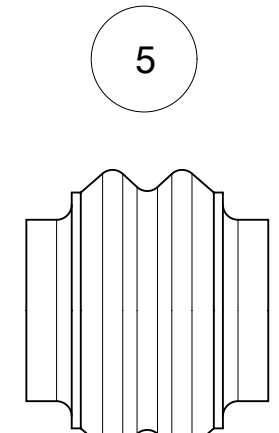
SMB SUB-ASSEMBLY



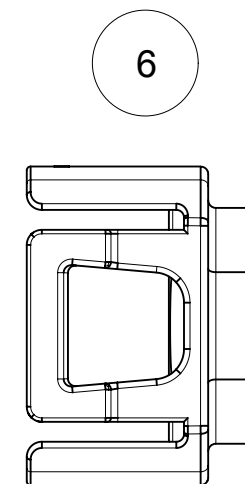
CONTACT
(SHOWN LOOSE
COMES ON T&R)



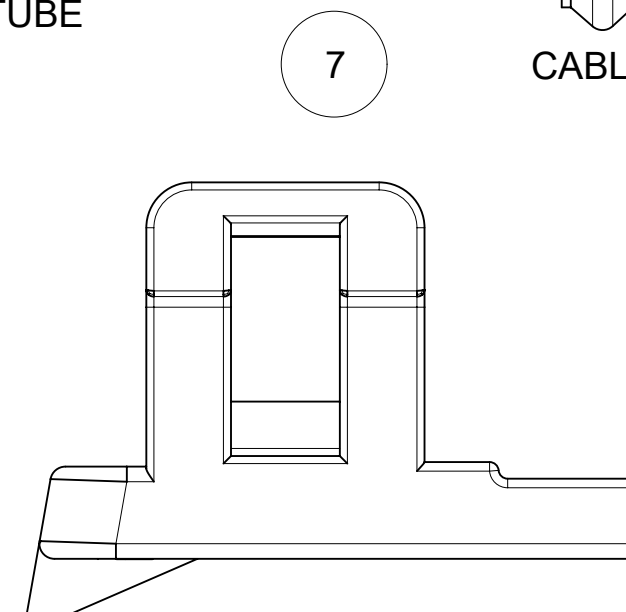
CRIMP TUBE



CABLE SEAL



END CAP



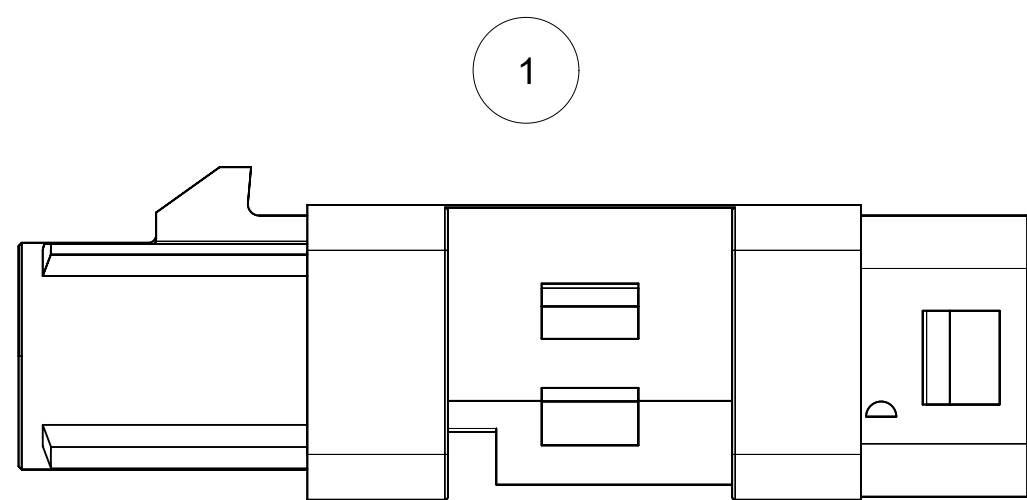
ISL 7mm CLIP SLOT

NOTES:

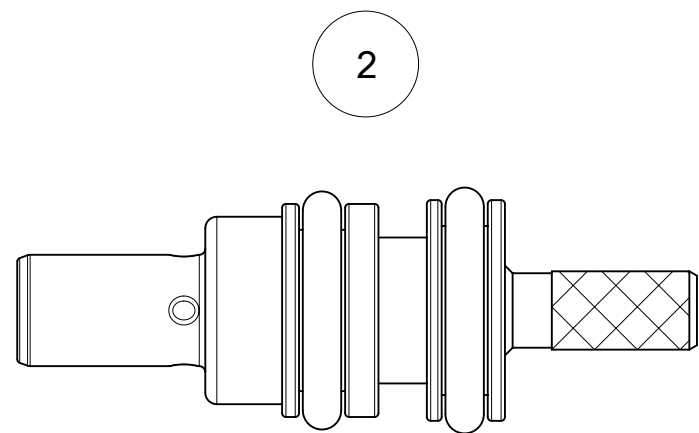
- ITEM 2 TO BE TRAY PACKED.
- ALL ITEMS MAY BE BAGGED INDIVIDUALLY TOGETHER WHEN SOLD AS 73403-0XXX ASSEMBLY NUMBER.
- ITEMS 1/3/4/5/6/7 MAY BE INDIVIDUALLY BULK PACKED. BULK PACKAGE QUANTITIES MUST NOT INDUCE ANY DAMAGE TO PARTS.

73403-0403	N	PASTEL GREEN	89558-9203	73404-3570	89601-8961	89558-8172	89558-8000	89558-9210	89558-8140
73403-0402	M	PASTEL ORANGE	89558-9202	73404-3570	89601-8961	89558-8172	89558-8000	89558-9210	89558-8140
73403-0401	L	CARMINE RED	89558-9201	73404-3570	89601-8961	89558-8172	89558-8000	89558-9210	89558-8140
73403-0400	Z	WATER BLUE	89558-9200	73404-3570	89601-8961	89558-8172	89558-8000	89558-9210	89558-8140
73403-0399	K	CURRY YELLOW	89558-9199	73404-3570	89601-8961	89558-8172	89558-8000	89558-9210	89558-8140
73403-0398	I	BEIGE	89558-9198	73404-3570	89601-8961	89558-8172	89558-8000	89558-9210	89558-8140
73403-0397	H	VIOLET	89558-9197	73404-3570	89601-8961	89558-8172	89558-8000	89558-9210	89558-8140
73403-0396	G	GRAY	89558-9196	73404-3570	89601-8961	89558-8172	89558-8000	89558-9210	89558-8140
73403-0395	F	BROWN	89558-9195	73404-3570	89601-8961	89558-8172	89558-8000	89558-9210	89558-8140
73403-0394	E	GREEN	89558-9194	73404-3570	89601-8961	89558-8172	89558-8000	89558-9210	89558-8140
73403-0393	D	BORDEAUX VIOLET	89558-9193	73404-3570	89601-8961	89558-8172	89558-8000	89558-9210	89558-8140
73403-0392	C	BLUE	89558-9192	73404-3570	89601-8961	89558-8172	89558-8000	89558-9210	89558-8140
73403-0391	B	CREAM WHITE	89558-9191	73404-3570	89601-8961	89558-8172	89558-8000	89558-9210	89558-8140
73403-0390	A	BLACK	89558-9190	73404-3570	89601-8961	89558-8172	89558-8000	89558-9210	89558-8140
PART NO.	KEY CODE	COLOR	ITEM NO. 1	ITEM NO. 2	ITEM NO. 3	ITEM NO. 4	ITEM NO. 5	ITEM NO. 6	ITEM NO. 7
			SHROUD	SMB SUB-ASSY	CONTACT (T&R)	CRIMP TUBE	CABLE SEAL	END CAP	ISL 7mm CS

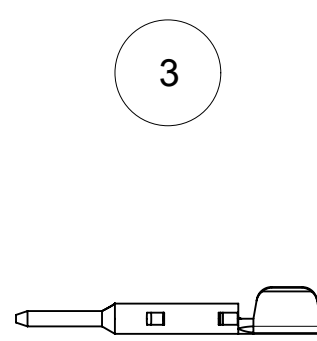
QUALITY SYMBOLS ▽ = 0 ▽ = 0 ▽ = 0 ▽ = 0 ▽ = 0 ▽ = 0 ▽ = 0 ▽ = 0 ▽ = 0	THIS DRAWING CONTAINS INFORMATION THAT IS PROPRIETARY TO MOLEX ELECTRONIC TECHNOLOGIES, LLC AND SHOULD NOT BE USED WITHOUT WRITTEN PERMISSION MIGRATED EC NO: 122054 DRWN: BSHAH CHKD: AROBERTSON REV APPR: AROBERTSON	GENERAL TOLERANCES (UNLESS SPECIFIED) METRIC NTS DRWN BY DATE AROBERTSON 2014/11/18		DIMENSION UNITS SCALE METRIC NTS DRWN BY DATE AROBERTSON 2014/11/18	
		4 PLACES ± ± 3 PLACES ± ± 0.005 2 PLACES ± 0.13 ± 0.01 1 PLACES ± 0.25 ± 0 PLACES ± ±			
ANGULAR TOL = 2.0 DRAFT WHERE APPLICABLE MUST REMAIN WITHIN DIMENSIONS		APPR BY DATE AROBERTSON 2015/04/24		PRODUCT CUSTOMER DRAWING SERIES MATERIAL NUMBER CUSTOMER 73403 SEE TABLE GENERAL MARKET	
C1		DRAWING SIZE THIRD ANGLE PROJECTION C		DOCUMENT NUMBER DOC TYPE DOC PART SHEET NUMBER SD-73403-039 PSD 001 3 OF 4	



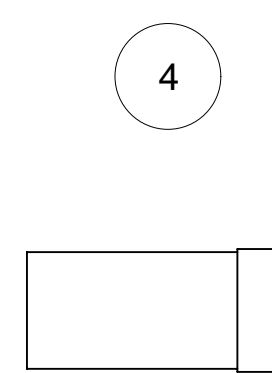
SHROUD



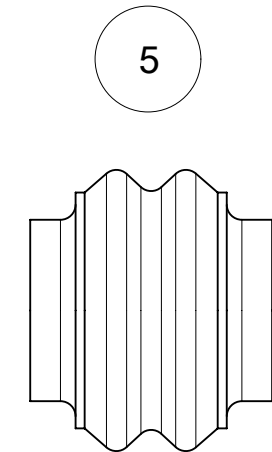
SMB SUB-ASSEMBLY



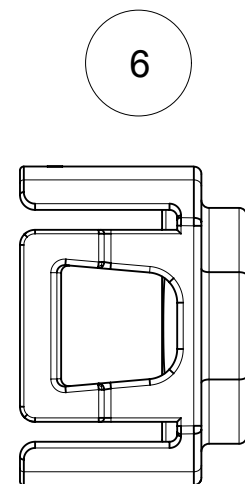
CONTACT
(SHOWN LOOSE
COMES ON T&R)



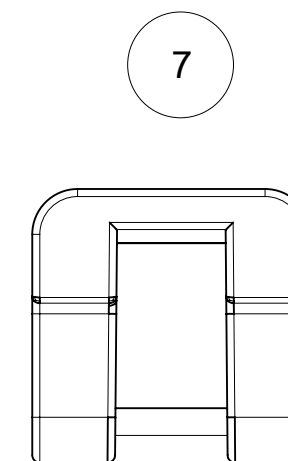
CRIMP TUBE



CABLE SEAL



END CAP



ISL NO CLIP SLOT

NOTES:

- 1. ITEM 2 TO BE TRAY PACKED.
- 2. ALL ITEMS MAY BE BAGGED INDIVIDUALLY TOGETHER WHEN SOLD AS 73403-0XXX ASSEMBLY NUMBER.
- 3. ITEMS 1/3/4/5/6/7 MAY BE INDIVIDUALLY BULK PACKED. BULK PACKAGE QUANTITIES MUST NOT INDUCE ANY DAMAGE TO PARTS.

73403-0443	N	PASTEL GREEN	89558-9203	73404-3570	89601-8961	89558-8172	89558-8000	89558-9210	89558-8150
73403-0442	M	PASTEL ORANGE	89558-9202	73404-3570	89601-8961	89558-8172	89558-8000	89558-9210	89558-8150
73403-0441	L	CARMINE RED	89558-9201	73404-3570	89601-8961	89558-8172	89558-8000	89558-9210	89558-8150
73403-0440	Z	WATER BLUE	89558-9200	73404-3570	89601-8961	89558-8172	89558-8000	89558-9210	89558-8150
73403-0439	K	CURRY YELLOW	89558-9199	73404-3570	89601-8961	89558-8172	89558-8000	89558-9210	89558-8150
73403-0438	I	BEIGE	89558-9198	73404-3570	89601-8961	89558-8172	89558-8000	89558-9210	89558-8150
73403-0437	H	VIOLET	89558-9197	73404-3570	89601-8961	89558-8172	89558-8000	89558-9210	89558-8150
73403-0436	G	GRAY	89558-9196	73404-3570	89601-8961	89558-8172	89558-8000	89558-9210	89558-8150
73403-0435	F	BROWN	89558-9195	73404-3570	89601-8961	89558-8172	89558-8000	89558-9210	89558-8150
73403-0434	E	GREEN	89558-9194	73404-3570	89601-8961	89558-8172	89558-8000	89558-9210	89558-8150
73403-0433	D	BORDEAUX VIOLET	89558-9193	73404-3570	89601-8961	89558-8172	89558-8000	89558-9210	89558-8150
73403-0432	C	BLUE	89558-9192	73404-3570	89601-8961	89558-8172	89558-8000	89558-9210	89558-8150
73403-0431	B	CREAM WHITE	89558-9191	73404-3570	89601-8961	89558-8172	89558-8000	89558-9210	89558-8150
73403-0430	A	BLACK	89558-9190	73404-3570	89601-8961	89558-8172	89558-8000	89558-9210	89558-8150
PART NO.	KEY CODE	COLOR	ITEM NO. 1	ITEM NO. 2	ITEM NO. 3	ITEM NO. 4	ITEM NO. 5	ITEM NO. 6	ITEM NO. 7
			SHROUD	SMB SUB-ASSY	CONTACT (T&R)	CRIMP TUBE	CABLE SEAL	END CAP	ISL NO CS

<p>QUALITY SYMBOLS</p> <p>▽ = 0</p> <p>▽ = 0</p> <p>▽ = 0</p> <p>▽ = 0</p> <p>▽ = 0</p> <p>▽ = 0</p> <p>▽ = 0</p> <p>▽ = 0</p> <p>▽ = 0</p>	THIS DRAWING CONTAINS INFORMATION THAT IS PROPRIETARY TO MOLEX ELECTRONIC TECHNOLOGIES, LLC AND SHOULD NOT BE USED WITHOUT WRITTEN PERMISSION		<p>DIMENSION UNITS</p> <p>METRIC NTS</p>		<p>molex</p> <p>FAKRA JACK SEALED</p> <p>RG174 7 MM CLIP SLOT FAKRA-JC, EWR-10016</p> <p>PRODUCT CUSTOMER DRAWING</p>																			
	<p>GENERAL TOLERANCES (UNLESS SPECIFIED)</p> <table border="1"> <thead> <tr> <th></th> <th>MM</th> <th>INCH</th> </tr> </thead> <tbody> <tr> <td>4 PLACES</td> <td>±</td> <td>±</td> </tr> <tr> <td>3 PLACES</td> <td>±</td> <td>± 0.005</td> </tr> <tr> <td>2 PLACES</td> <td>± 0.13</td> <td>± 0.01</td> </tr> <tr> <td>1 PLACES</td> <td>± 0.25</td> <td>±</td> </tr> <tr> <td>0 PLACES</td> <td>±</td> <td>±</td> </tr> </tbody> </table>			MM		INCH	4 PLACES	±	±	3 PLACES	±	± 0.005	2 PLACES	± 0.13	± 0.01	1 PLACES	± 0.25	±	0 PLACES	±	±	<p>DRWN BY DATE</p> <p>AROBERTSON 2014/11/18</p>		<p>73403 SEE TABLE GENERAL MARKET</p>
		MM	INCH																					
	4 PLACES	±	±																					
	3 PLACES	±	± 0.005																					
	2 PLACES	± 0.13	± 0.01																					
	1 PLACES	± 0.25	±																					
	0 PLACES	±	±																					
	<p>ANGULAR TOL = 2.0</p>		<p>CHK'D BY DATE</p> <p>SSS 2014/11/18</p>																					
	<p>DRAFT WHERE APPLICABLE MUST REMAIN WITHIN DIMENSIONS</p>		<p>APPR BY DATE</p> <p>AROBERTSON 2015/04/24</p>																					
<p>DRAWING SIZE</p> <p>C</p>		<p>THIRD ANGLE PROJECTION</p>																						
<p>EC NO: 122054</p> <p>DRWN: BSHAH</p> <p>CHKD: AROBERTSON</p> <p>REV: APPR: AROBERTSON</p>		<p>SERIES MATERIAL NUMBER CUSTOMER</p> <p>73403 SEE TABLE GENERAL MARKET</p>																						
<p>2017/09/07</p> <p>2017/09/21</p>		<p>DOCUMENT NUMBER DOC TYPE DOC PART SHEET NUMBER</p> <p>SD-73403-039 PSD 001 4 OF 4</p>																						
<p>MIGRATED</p>		<p>DRAWING SIZE</p> <p>C</p>																						
<p>RELEASE STATUS P1 RELEASE DATE 21.09.2017 20:44:22</p>		<p>RELEASE STATUS P1 RELEASE DATE 21.09.2017 20:44:22</p>																						