



Chipsmall Limited consists of a professional team with an average of over 10 year of expertise in the distribution of electronic components. Based in Hongkong, we have already established firm and mutual-benefit business relationships with customers from,Europe,America and south Asia,supplying obsolete and hard-to-find components to meet their specific needs.

With the principle of “Quality Parts,Customers Priority,Honest Operation,and Considerate Service”,our business mainly focus on the distribution of electronic components. Line cards we deal with include Microchip,ALPS,ROHM,Xilinx,Pulse,ON,Everlight and Freescale. Main products comprise IC,Modules,Potentiometer,IC Socket,Relay,Connector.Our parts cover such applications as commercial,industrial, and automotives areas.

We are looking forward to setting up business relationship with you and hope to provide you with the best service and solution. Let us make a better world for our industry!



Contact us

Tel: +86-755-8981 8866 Fax: +86-755-8427 6832

Email & Skype: info@chipsmall.com Web: www.chipsmall.com

Address: A1208, Overseas Decoration Building, #122 Zhenhua RD., Futian, Shenzhen, China

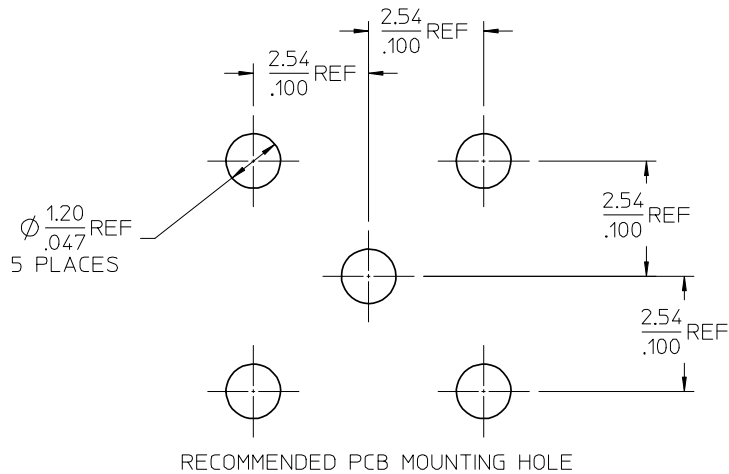
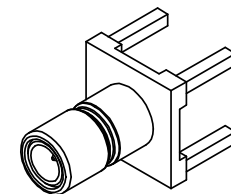
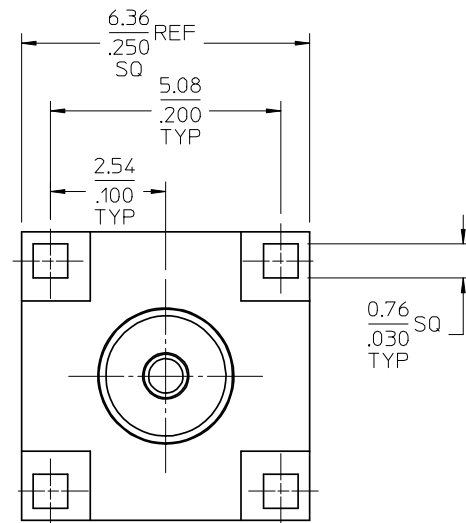
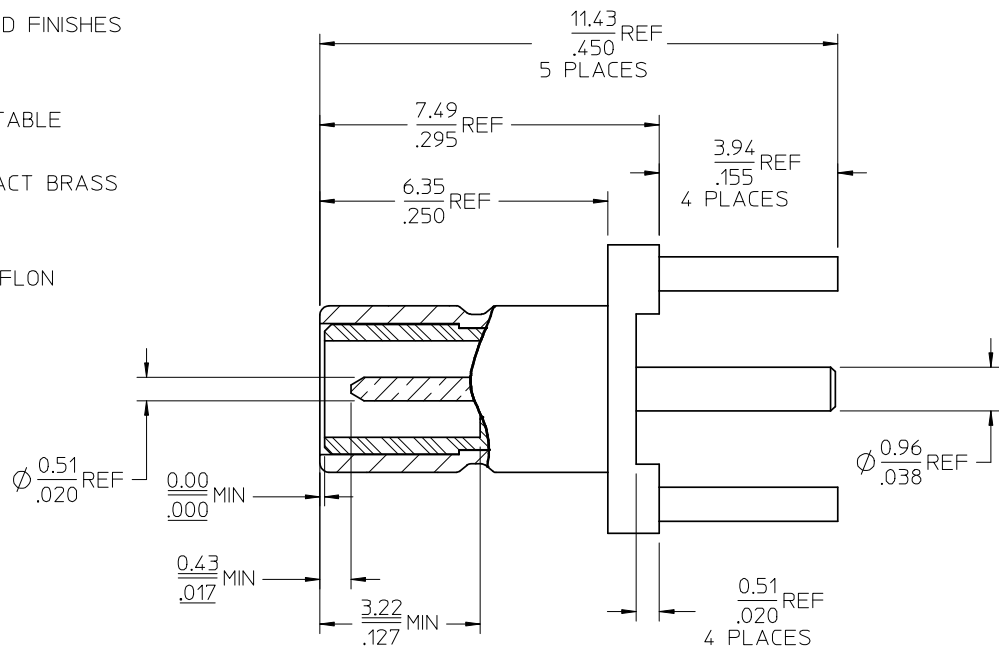


MATERIALS AND FINISHES

BODY BRASS
PLATED SEE TABLE

CENTER CONTACT BRASS
PLATED GOLD

INSULATOR TEFLON



73396-0591	TRAY/NICKEL
73396-0590	SMALL TRAY PACKING/GOLD
73404-2300	73100-0207, ONE PER BAG/GOLD
73100-0207	TRAY/GOLD
PART NO.	PACKAGING/FINISH

PS-73598-0099	INTERFACE
SPECIFICATION	DESCRIPTION

CHG ADDED TABULATION FOR -0591. EC NO: URF2008-0621 DRAWN:ROBERTSON 2008/06/02 CHKD:SSS 2008/06/02 APPR:JWENER 2008/06/02 REV: B3	QUALITY SYMBOLS ▼=0 ▽=0
	DESCRIPTION

GENERAL TOLERANCES (UNLESS SPECIFIED)															
<table border="1"> <tr> <th></th> <th>mm</th> <th>INCH</th> </tr> <tr> <td>4 PLACES</td> <td>± .005</td> <td>± .0004</td> </tr> <tr> <td>3 PLACES</td> <td>± .003</td> <td>± .0001</td> </tr> <tr> <td>2 PLACES</td> <td>± .002</td> <td>± .0001</td> </tr> <tr> <td>1 PLACE</td> <td>± .001</td> <td>± .0001</td> </tr> </table>		mm	INCH	4 PLACES	± .005	± .0004	3 PLACES	± .003	± .0001	2 PLACES	± .002	± .0001	1 PLACE	± .001	± .0001
	mm	INCH													
4 PLACES	± .005	± .0004													
3 PLACES	± .003	± .0001													
2 PLACES	± .002	± .0001													
1 PLACE	± .001	± .0001													
ANGULAR ± .000°															
DRAFT WHERE APPLICABLE MUST REMAIN WITHIN DIMENSIONS															

DIMENSION STYLE	MM/IN
DRAWN BY	IRIS WANG
DATE	1995/11/03
CHECKED BY	
DATE	
APPROVED BY	
DATE	
MATERIAL NO.	SEE TABLE
DOCUMENT NO.	SD-73100-0207

SCALE	DESIGN UNITS	THIRD ANGLE PROJECTION
	METRIC	
TITLE		
SMB JACK, VERTICAL PCB		
50 OHMS		
SMB-JR/PCB		
MOLEX INCORPORATED		
SHEET NO.	1 OF 1	