



Chipsmall Limited consists of a professional team with an average of over 10 year of expertise in the distribution of electronic components. Based in Hongkong, we have already established firm and mutual-benefit business relationships with customers from,Europe,America and south Asia,supplying obsolete and hard-to-find components to meet their specific needs.

With the principle of “Quality Parts,Customers Priority,Honest Operation,and Considerate Service”,our business mainly focus on the distribution of electronic components. Line cards we deal with include Microchip,ALPS,ROHM,Xilinx,Pulse,ON,Everlight and Freescale. Main products comprise IC,Modules,Potentiometer,IC Socket,Relay,Connector.Our parts cover such applications as commercial,industrial, and automotives areas.

We are looking forward to setting up business relationship with you and hope to provide you with the best service and solution. Let us make a better world for our industry!



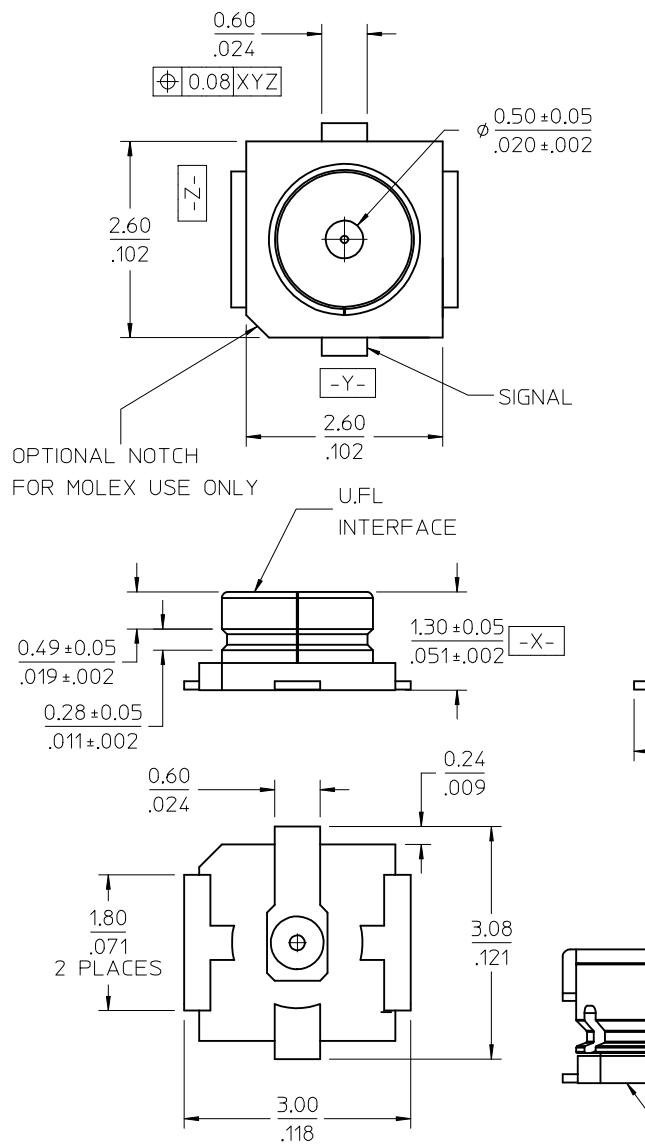
## Contact us

Tel: +86-755-8981 8866 Fax: +86-755-8427 6832

Email & Skype: info@chipsmall.com Web: www.chipsmall.com

Address: A1208, Overseas Decoration Building, #122 Zhenhua RD., Futian, Shenzhen, China





MATERIAL AND FINISHES:

BASE: LCP

CONTACT: BRASS

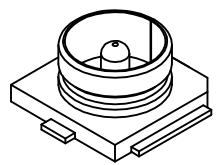
C2680 (t=0.15)

FINISH: GOLD PLATING(0.03 MICROMETER MINIMUM)  
UNDERPLATE: NICKEL OVERALL(1~4 MICROMETER)

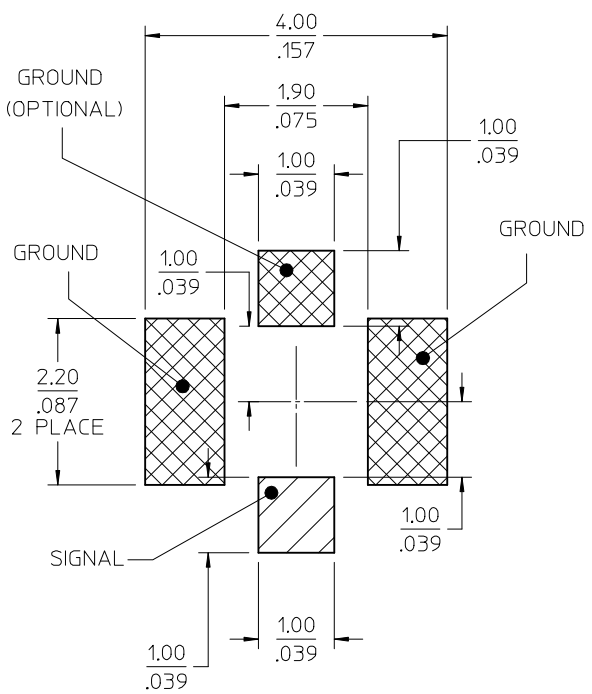
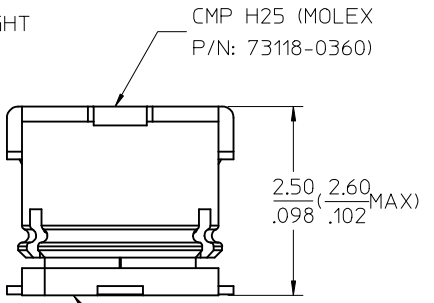
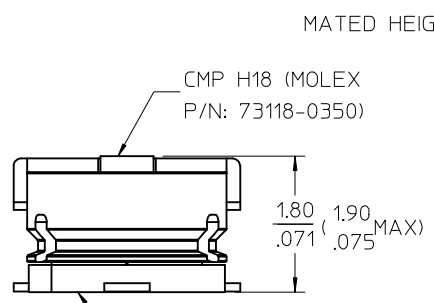
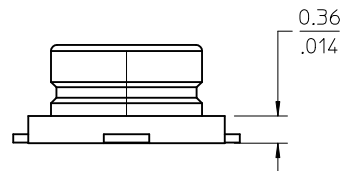
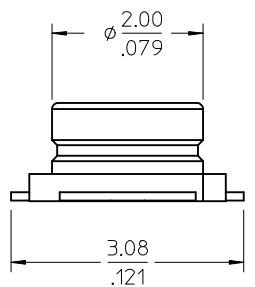
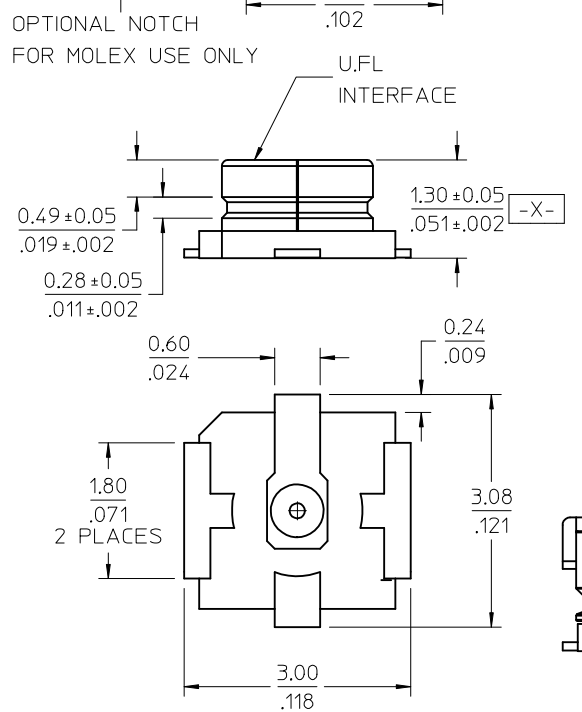
OUTER CONTACT: PHOSPHOR BRONZE(JIS 5191-SH)  
C5210(t=0.12)

FINISH: GOLD PLATING(0.03 MICROMETER MINIMUM)  
UNDERPLATE: NICKEL OVERALL(1~4 MICROMETER)

WILL WITHSTAND REFLOW  
TEMPERATURE OF  
265 DEG C ±5 DEG



VSWR  
DC-3GHz: 1.18 MAX  
DC-6GHz: 1.30 MAX



PS-73598-0210	PROD SPEC
SPECIFICATION	DESCRIPTION

(NOT INCLUDED WITH  
73118-0350 ASSEMBLY)

(NOT INCLUDED WITH  
73118-0360 ASSEMBLY)

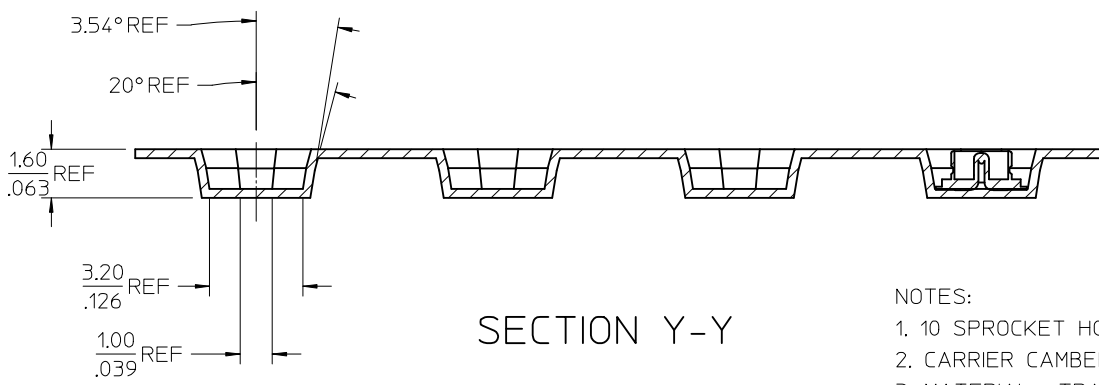
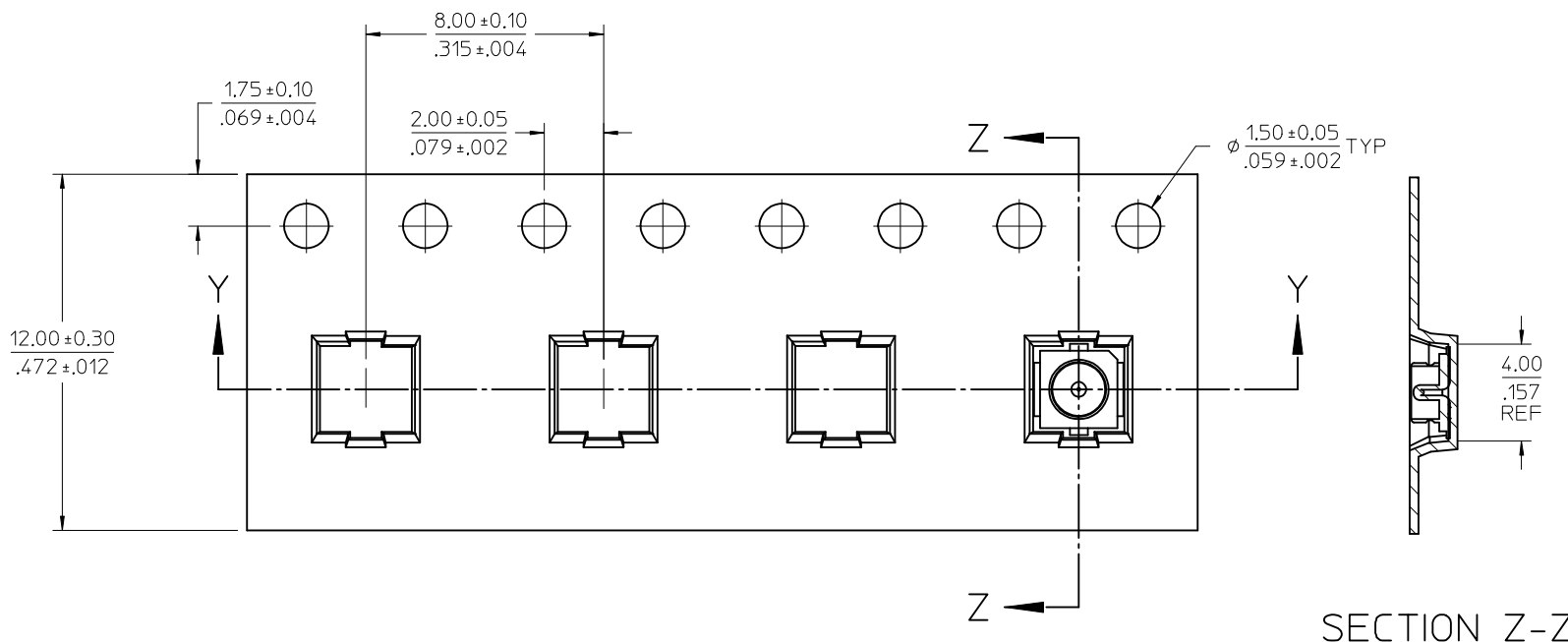
73412-0114	TAPE AND REEL(1K/REEL)
73412-0112	73412-0110,10 PIECES PER BAG IN TAPE
73412-0110	TAPE AND REEL(5K/REEL)
PART NO.	PACKAGING

CHG: ADD MATERIAL & PLATING THICKNESS	EC NO: URF2013-0200	2012/08/31
	DRWNL: CHEN03	2012/10/18
MATED HEIGHT	CHKD:	
	APPR: SRZHAO	
CHG: UPDATE GEOMETRY	EC NO: URF2013-0200	2012/08/31
	DRWNL: CHEN03	2012/10/18
MATED HEIGHT	CHKD:	
	APPR: SRZHAO	

QUALITY SYMBOLS	GENERAL TOLERANCES (UNLESS SPECIFIED)	DIMENSION STYLE	SCALE	DESIGN UNITS	THIRD ANGLE PROJECTION
▽=0	mm INCH	MM/IN	METRIC		
▽=0	4 PLACES ± --- ± ---	DRAWN BY DATE			
	3 PLACES ± --- ± ---	DARRY 2003/1/27			
	2 PLACES ± 0.25 ± ---	CHECKED BY DATE			
	1 PLACE ± 0.13 ± ---	JOHNSON 2003/1/27			
	ANGULAR ± 2 °	APPROVED BY DATE			
		MHUANG 2010/11/28			

DRAFT WHERE APPLICABLE MUST REMAIN WITHIN DIMENSIONS	MATERIAL NO.	DOCUMENT NO.	SHEET NO.
	SEE TABLE	SD-73412-011	1 OF 2

TITLE		MATERIAL NO.		DOCUMENT NO.		SHEET NO.	
MICRO COAXIAL CONNECTOR RECEPTACLE VERTICAL EWR-4537		SEE TABLE		SD-73412-011		1 OF 2	
THIS DRAWING CONTAINS INFORMATION THAT IS PROPRIETARY TO MOLEX INCORPORATED AND SHOULD NOT BE USED WITHOUT WRITTEN PERMISSION							



SECTION Z-Z

SECTION Y-Y

- NOTES:
- 10 SPROCKET HOLE PITCH CUMULATIVE TOLERANCE ±0.20mm
  - CARRIER CAMBER IS WITH 1mm IN 250mm
  - MATERIAL : TRANSPARENT POLYSTYRENE
  - ALL DIMENSIONS MEET EIA-481-1 REQUIREMENT
  - COMPONENT LOAD PER 13" REEL (5,000 PCS),  
COMPONENT LOAD PER 7" REEL (1,000 PCS),

<b>CHG: SEE SHEET 1</b> EC NO: URF2013-0200 DRWNL: CHEN03 2012/08/31 CHKD: APPR: SRZHAO 2012/10/18 C7	QUALITY SYMBOLS	GENERAL TOLERANCES (UNLESS SPECIFIED) <table border="1"> <tr> <th></th> <th>mm</th> <th>INCH</th> </tr> <tr> <td>4 PLACES</td> <td>± .13</td> <td>± .005</td> </tr> <tr> <td>3 PLACES</td> <td>± .25</td> <td>± .010</td> </tr> <tr> <td>2 PLACES</td> <td>± 0.25</td> <td>± .010</td> </tr> <tr> <td>1 PLACE</td> <td>± 0.13</td> <td>± .005</td> </tr> </table>		mm	INCH	4 PLACES	± .13	± .005	3 PLACES	± .25	± .010	2 PLACES	± 0.25	± .010	1 PLACE	± 0.13	± .005	DIMENSION STYLE	SCALE	DESIGN UNITS	THIRD ANGLE PROJECTION
			mm	INCH																	
	4 PLACES	± .13	± .005																		
	3 PLACES	± .25	± .010																		
2 PLACES	± 0.25	± .010																			
1 PLACE	± 0.13	± .005																			
	MM/IN	METRIC																			
	DRAFT WHERE APPLICABLE MUST REMAIN WITHIN DIMENSIONS	DRAWN BY: DARRY CHECKED BY: JOHNSON APPROVED BY: MHUANG	DATE: 2003/1/27 DATE: 2003/1/27 DATE: 2010/11/28	TITLE: MICRO COAXIAL CONNECTOR RECEPTACLE VERTICAL EWR-4537																	
		MATERIAL NO. SEE SHEET 1 SIZE: C	DOCUMENT NO. SD-73412-011	MOLEX INCORPORATED		SHEET NO. 2 OF 2															