



Chipsmall Limited consists of a professional team with an average of over 10 year of expertise in the distribution of electronic components. Based in Hongkong, we have already established firm and mutual-benefit business relationships with customers from,Europe,America and south Asia,supplying obsolete and hard-to-find components to meet their specific needs.

With the principle of “Quality Parts,Customers Priority,Honest Operation,and Considerate Service”,our business mainly focus on the distribution of electronic components. Line cards we deal with include Microchip,ALPS,ROHM,Xilinx,Pulse,ON,Everlight and Freescale. Main products comprise IC,Modules,Potentiometer,IC Socket,Relay,Connector.Our parts cover such applications as commercial,industrial, and automotives areas.

We are looking forward to setting up business relationship with you and hope to provide you with the best service and solution. Let us make a better world for our industry!



## Contact us

Tel: +86-755-8981 8866 Fax: +86-755-8427 6832

Email & Skype: info@chipsmall.com Web: www.chipsmall.com

Address: A1208, Overseas Decoration Building, #122 Zhenhua RD., Futian, Shenzhen, China



MATERIALS AND FINISHES

PART NUMBERS 73413-0040, -0042, -0044

PART NUMBERS 73413-0041 AND -0043

BODY BRASS  
PLATED SEE TABLE

BODY BERYLLIUM COPPER  
PLATED SEE TABLE

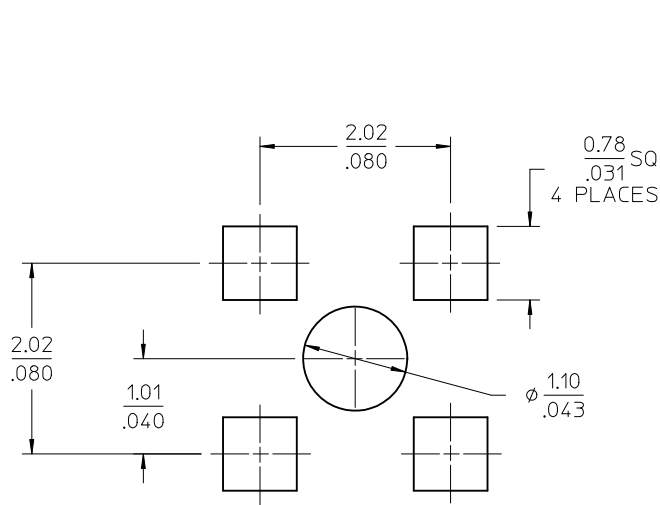
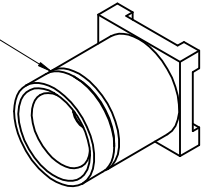
CENTER CONTACT BERYLLIUM COPPER  
PLATED GOLD

CENTER CONTACT BERYLLIUM COPPER  
PLATED GOLD

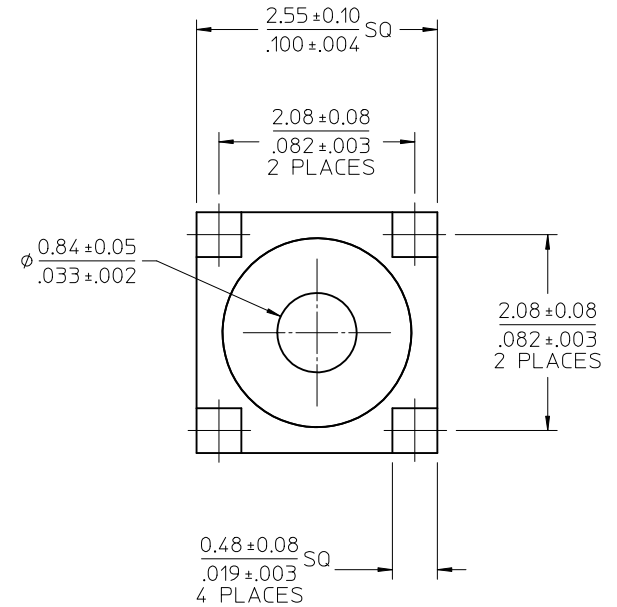
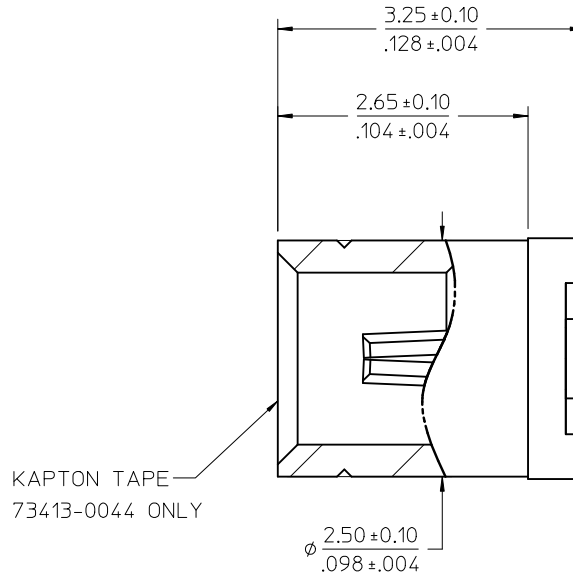
INSULATOR TEFLON

INSULATOR TEFLON

WITNESS MARK PRESENT  
ON NON-MAGNETIC  
VERSIONS ONLY



RECOMMENDED PCB LAYOUT



73413-0044	GENERAL	TAPE & REEL	GOLD
73413-0043	NON-MAGNETIC	BULK	GOLD
73413-0042	GENERAL	SINGLE BAG	GOLD
73413-0041	NON-MAGNETIC	BULK	TRI-M
73413-0040	GENERAL	BULK	GOLD
PART NO.	MAG PROP	PACKAGING	BODY PLATING

FOR 73413-0044 ONLY  
REEL SIZE: 330mm (13")  
TAPE WIDTH: 12mm (.47")  
PARTS PER REEL: 2300

PS-89675-0320	PRODUCT SPECIFICATION
SPECIFICATION	DESCRIPTION

CHG: PS WAS PS-73598-037 ADD -0044	EC NO: URF2011-0242	2010/10/12	DRWN: JWIENER	2010/10/12	CHKD: SSS	2010/10/12	APPR: JWIENER	2010/10/12
DESCRIPTION	REV	QUALITY SYMBOLS	GENERAL TOLERANCES (UNLESS SPECIFIED) 4 PLACES ± --- ± --- 3 PLACES ± --- ± --- 2 PLACES ± --- ± --- 1 PLACE ± --- ± --- ANGULAR ± 2 ° DRAFT WHERE APPLICABLE MUST REMAIN WITHIN DIMENSIONS					
A6			DIMENSION STYLE MM/IN DRAWN BY DATE JOHN 2005/03/24 CHECKED BY DATE KERRIE 2005/03/24 APPROVED BY DATE JWIENER 2010/10/21 MATERIAL NO. SEE TABLE SIZE C THIS DRAWING CONTAINS INFORMATION THAT IS PROPRIETARY TO MOLEX INCORPORATED AND SHOULD NOT BE USED WITHOUT WRITTEN PERMISSION					

SCALE	DESIGN UNITS	THIRD ANGLE PROJECTION
METRIC		
TITLE		
SSMCX JACK PCB VERTICAL 50 OHM SSMCX-J/PCB EWR-3200		
MOLEX MOLEX INCORPORATED		
DOCUMENT NO.	SHEET NO.	
SD-73413-004	1 OF 1	